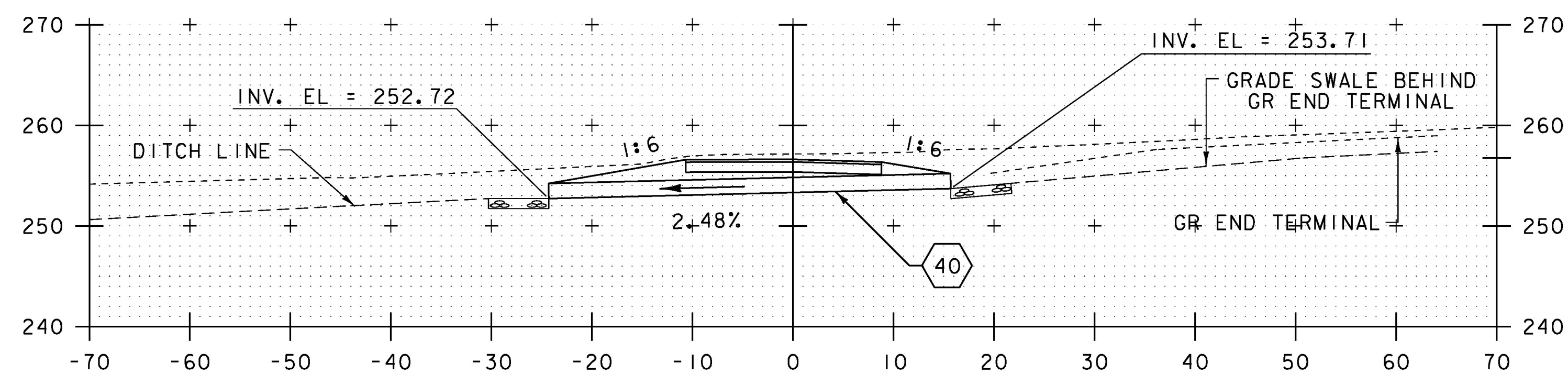
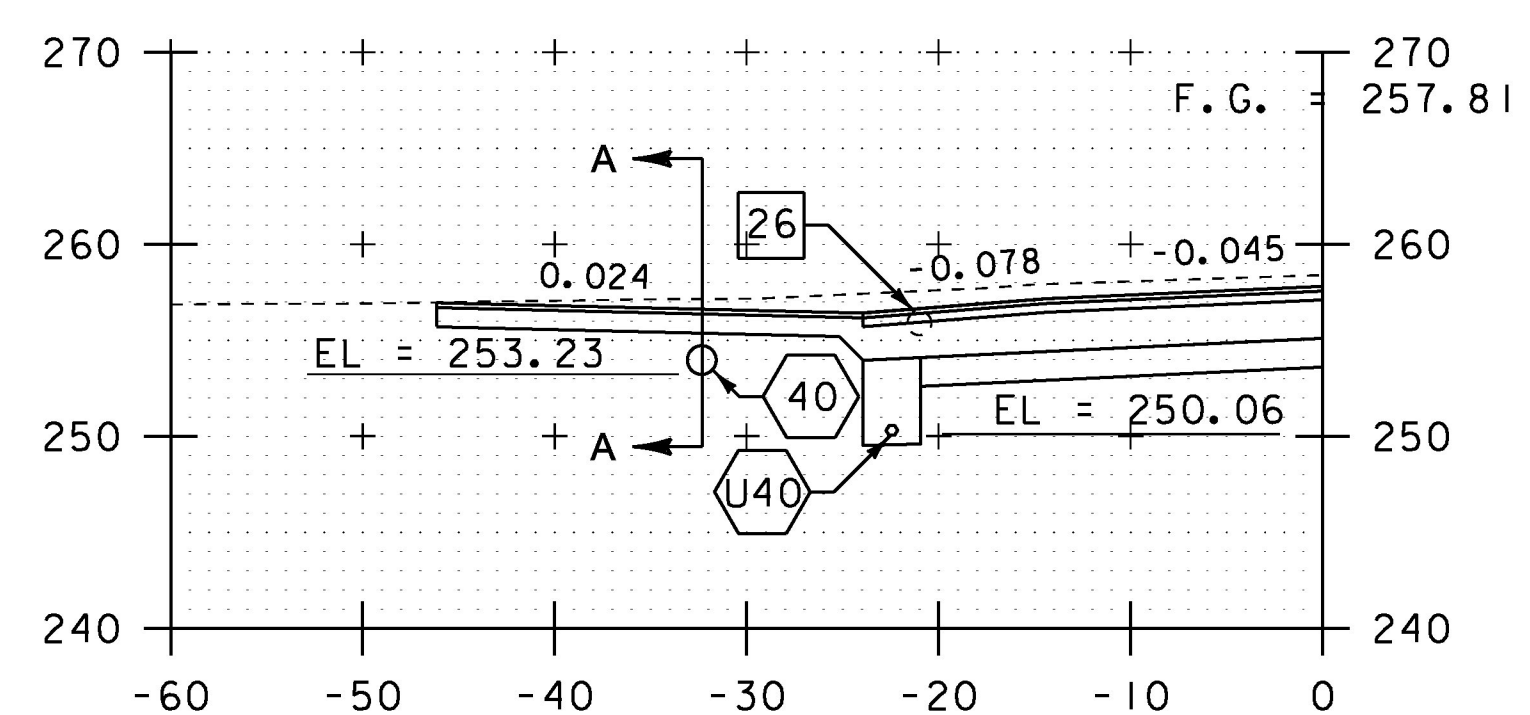


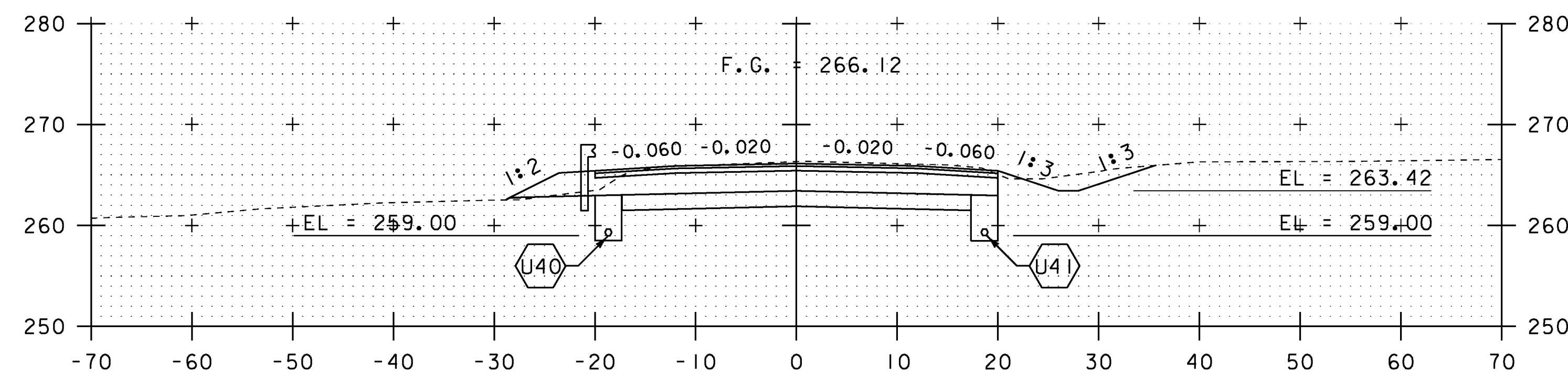
120+50



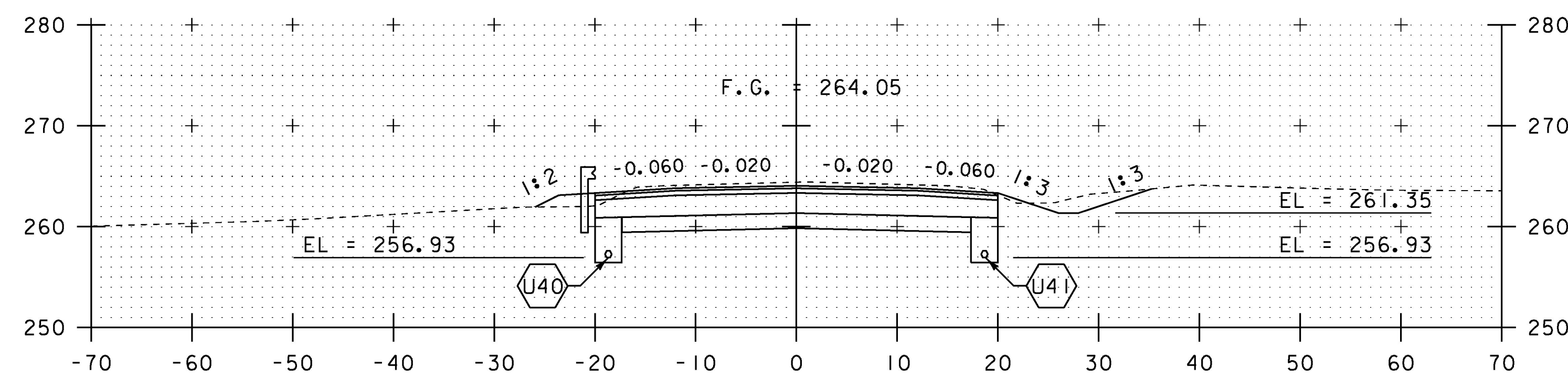
120+17 DRIVE LT SECTION A-A



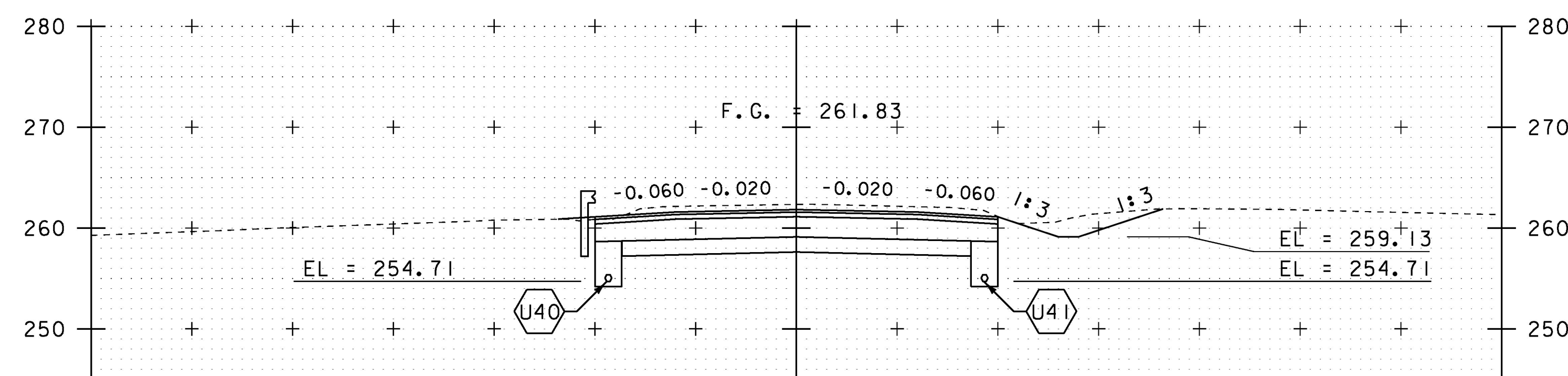
120+17 DRIVE LT
SKEWED 33° 19' 14.16" RT



122+00



121+50



121+00

SCALE IN FEET

STA. 120+17 TO STA. 122+00

PROJECT NAME: CHARLOTTE	
PROJECT NUMBER: F EGC 019-4(20)	
FILE NAME: d78d062_xs.dgn	PLOT DATE: 15-MAR-2016
PROJECT LEADER: K. UPMAL	DRAWN BY: B. KIPP
DESIGNED BY: B. KIPP	CHECKED BY: C. LEACH
MAINLINE CROSS SECTIONS 61	SHEET 338 OF 499