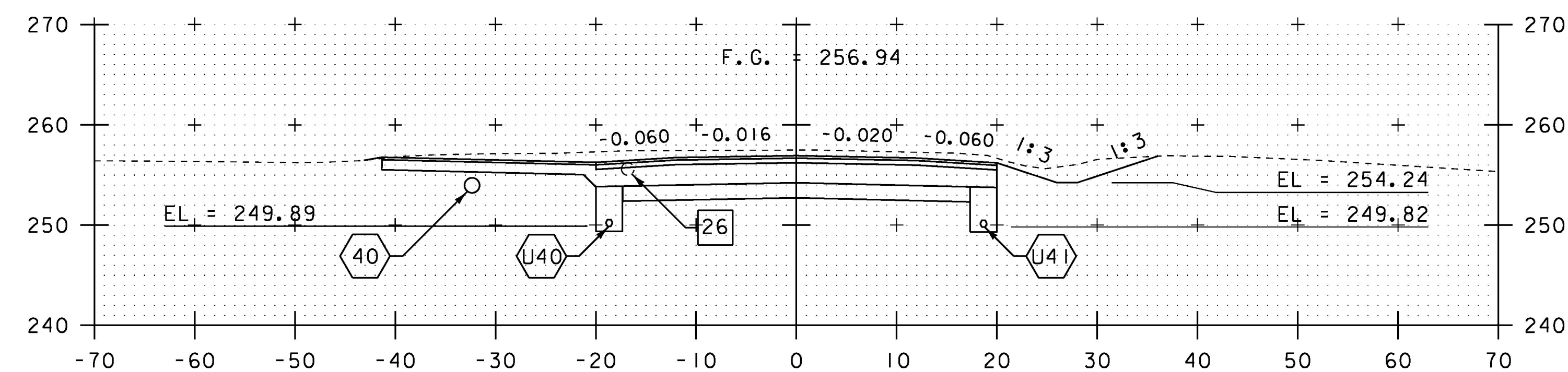
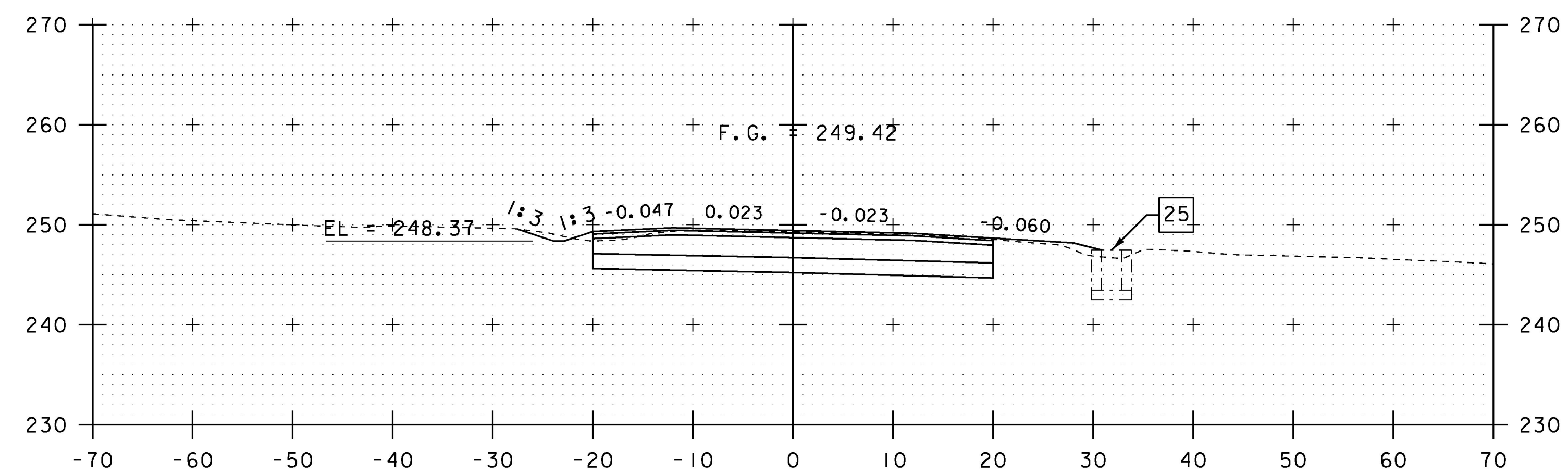


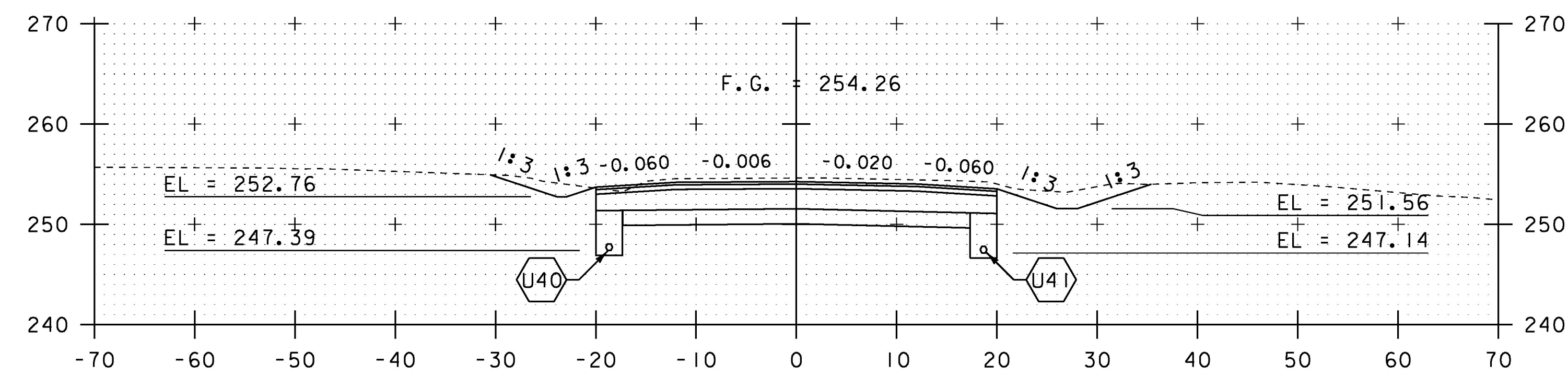
119+00



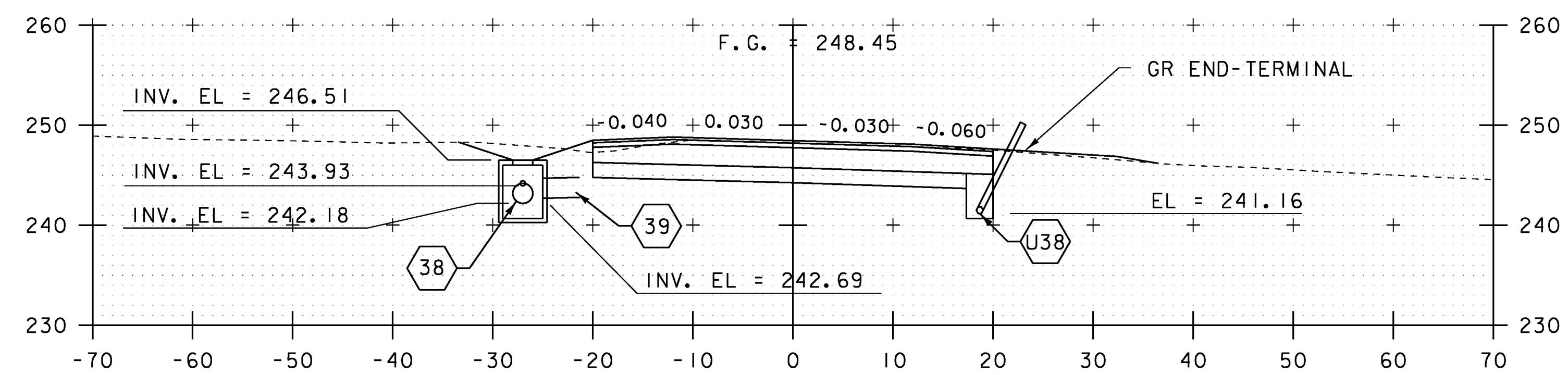
120+00



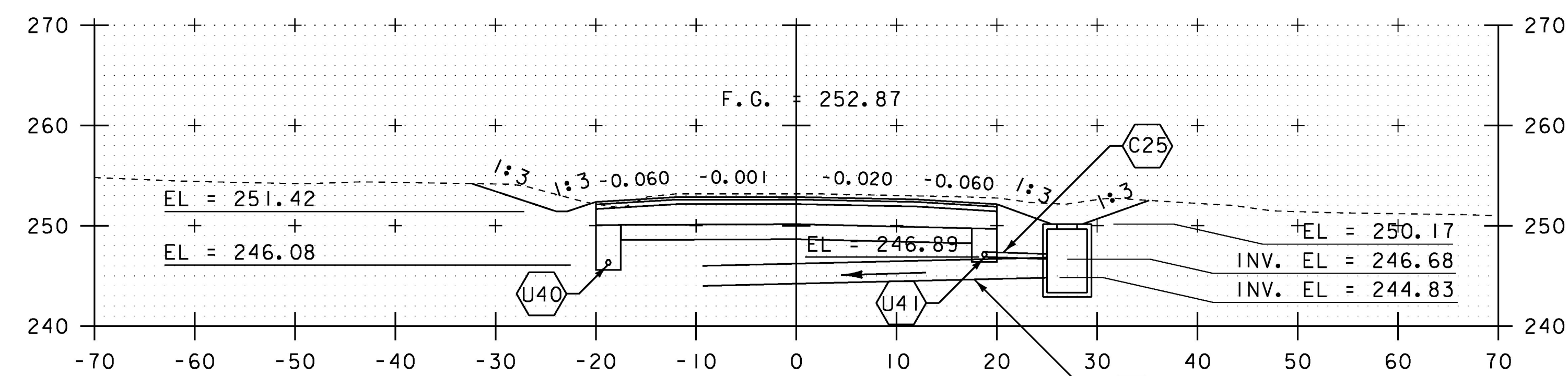
118+64



119+50



118+50



119+25

SCALE IN FEET

STA. 118+50 TO STA. 120+00

PROJECT NAME: CHARLOTTE	
PROJECT NUMBER: F EGC 019-4(20)	
FILE NAME: d78d062_xs.dgn	PLOT DATE: 15-MAR-2016
PROJECT LEADER: K. UPMAL	DRAWN BY: B. KIPP
DESIGNED BY: B. KIPP	CHECKED BY: C. LEACH
MAINLINE CROSS SECTIONS 60	SHEET 337 OF 499