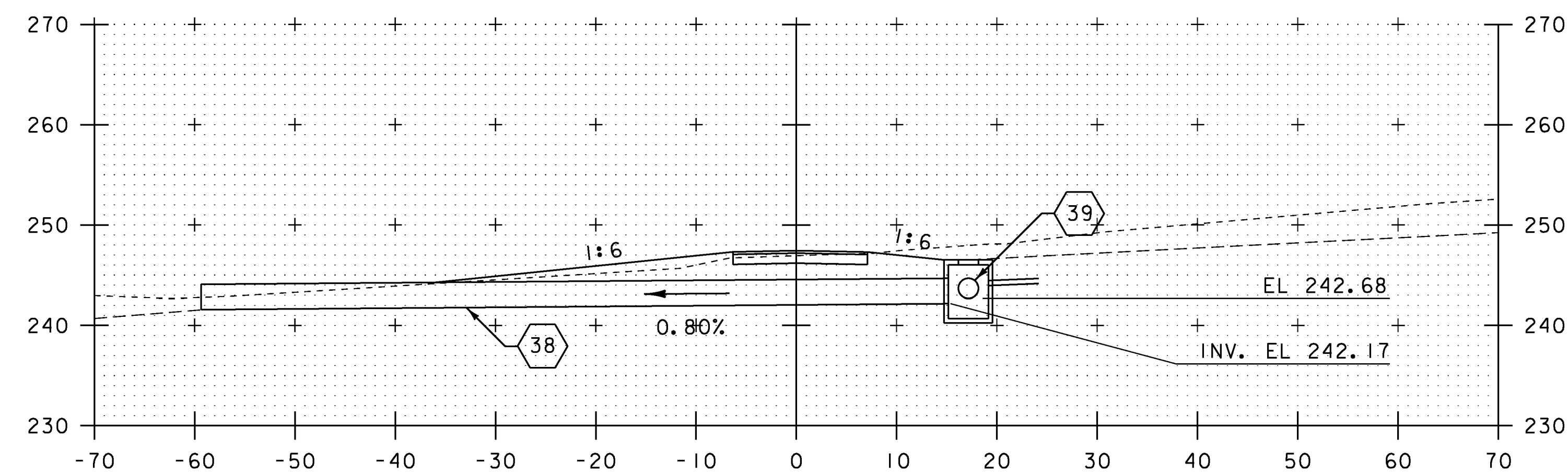
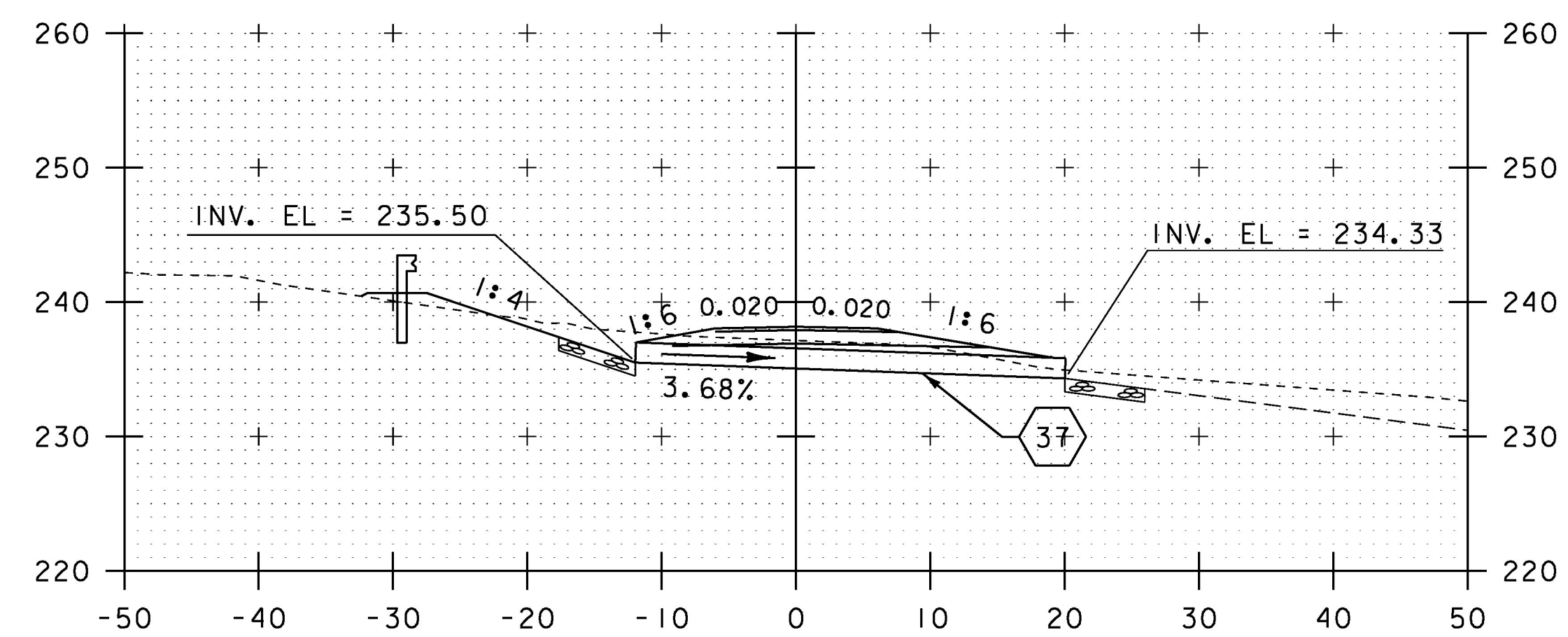


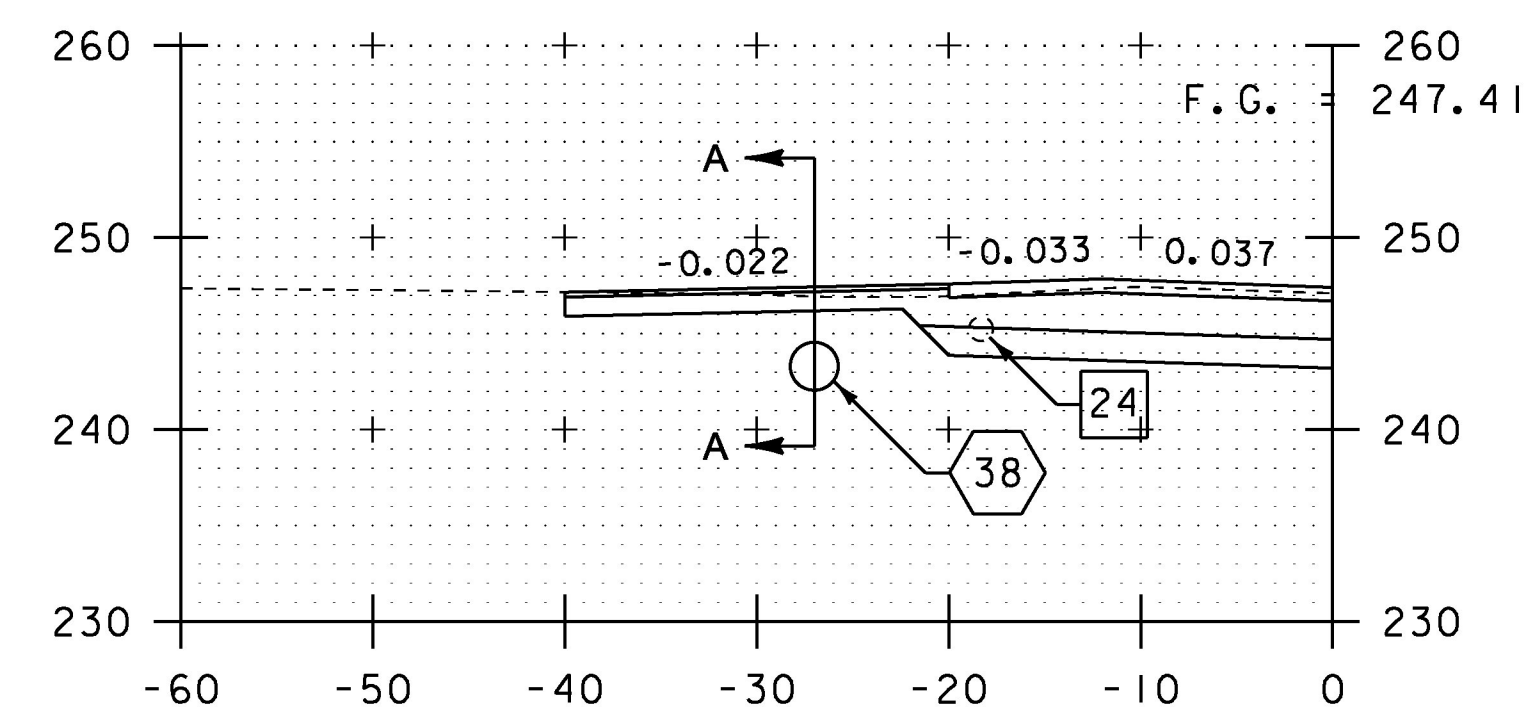
117+50



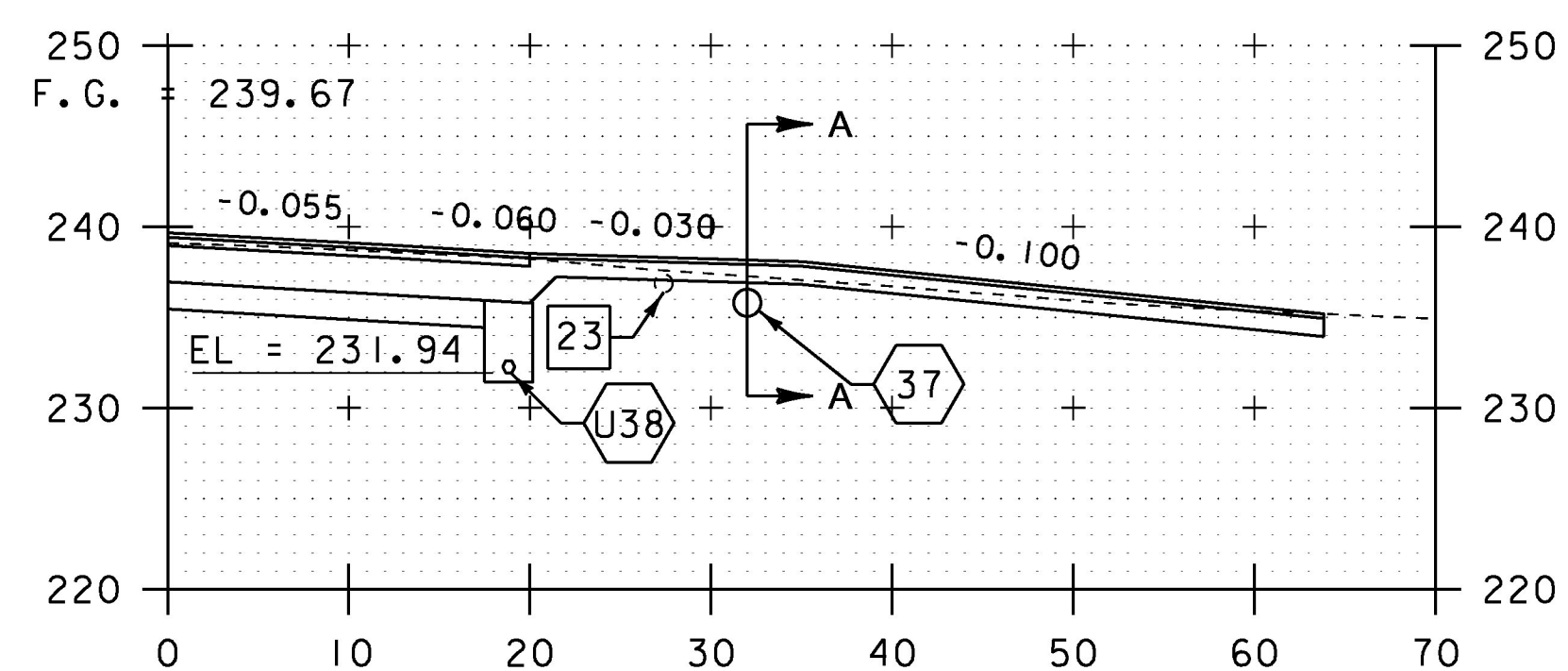
118+33 DRIVE LT SECTION A-A



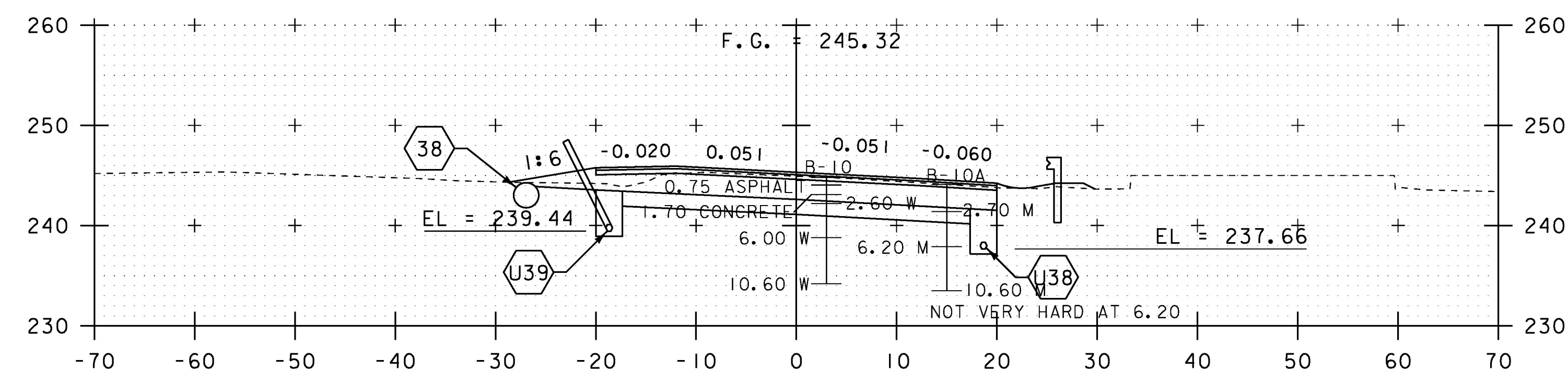
117+12 DRIVE RT SECTION A-A



118+33 DRIVE LT  
SKEWED 7° 17' 06.72" RT



117+12 DRIVE RT



118+00

SCALE IN FEET

STA. 117+12 TO STA. 118+33

PROJECT NAME: CHARLOTTE	
PROJECT NUMBER: F EGC 019-4(20)	
FILE NAME: d78d062_xs.dgn	PLOT DATE: 15-MAR-2016
PROJECT LEADER: K. UPMAL	DRAWN BY: B. KIPP
DESIGNED BY: B. KIPP	CHECKED BY: C. LEACH
MAINLINE CROSS SECTIONS 59	SHEET 336 OF 499