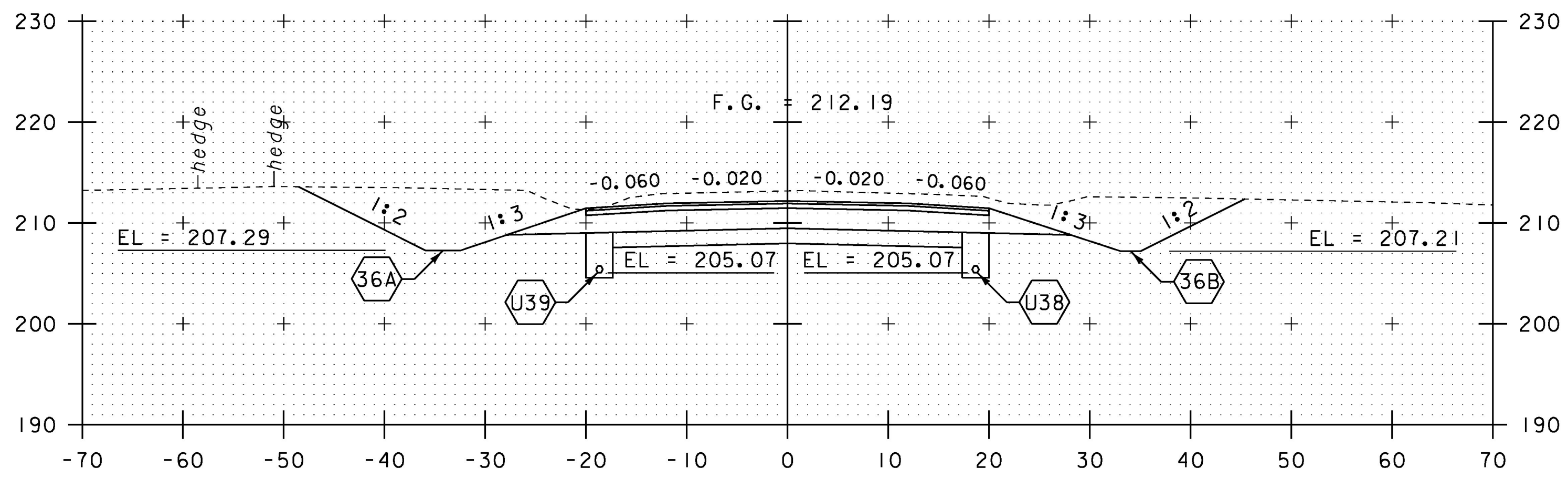
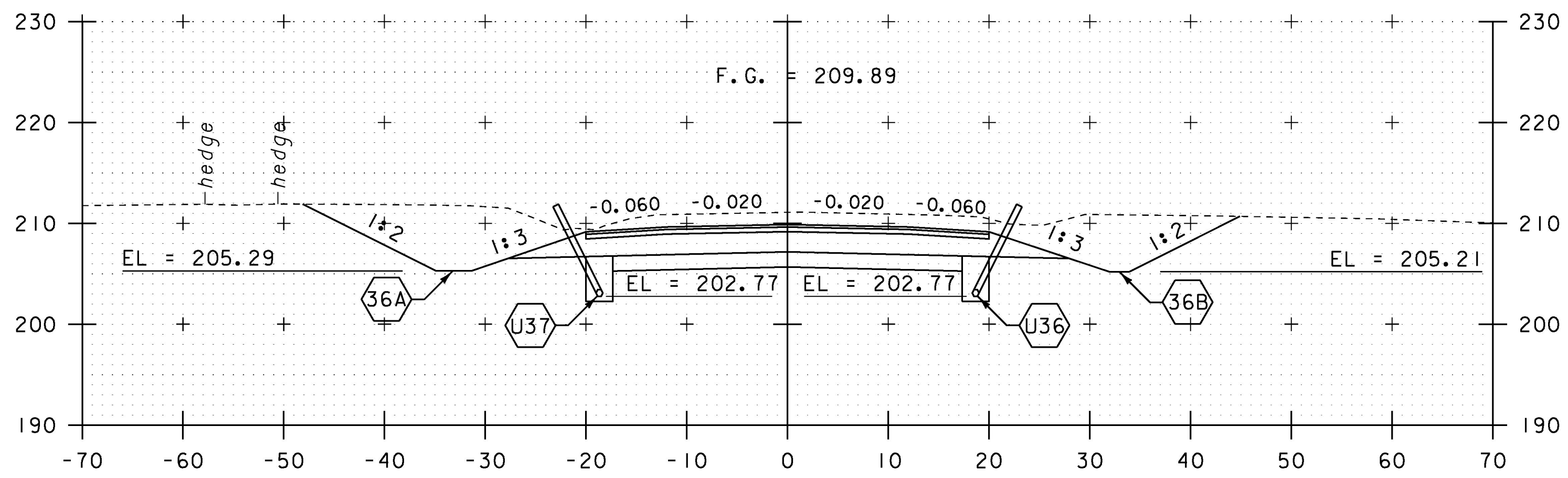


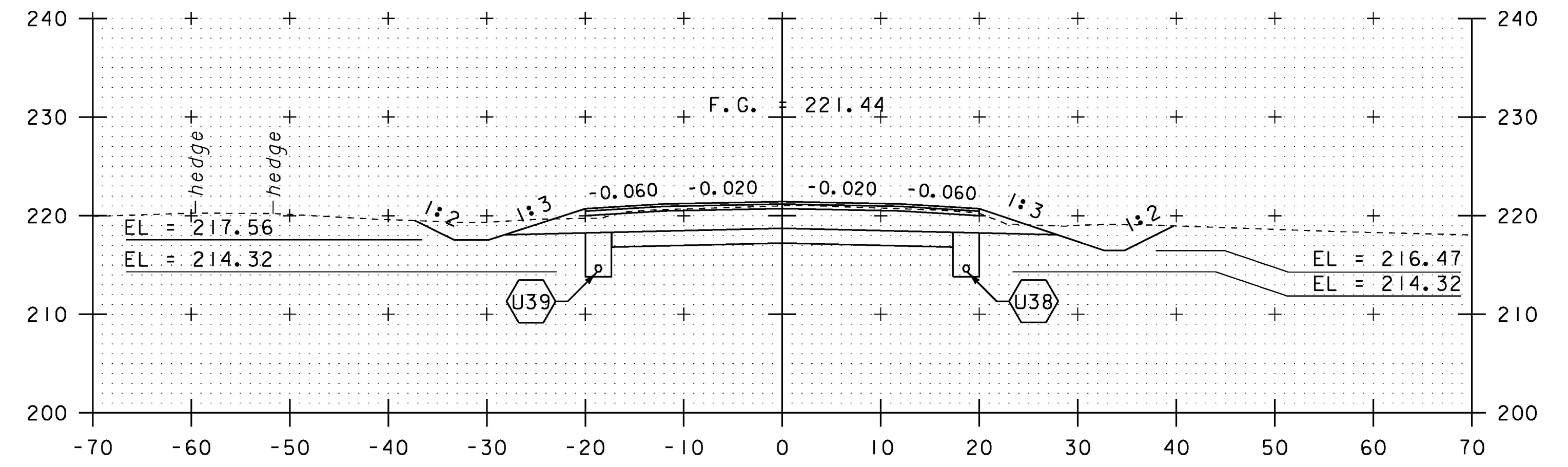
112+50



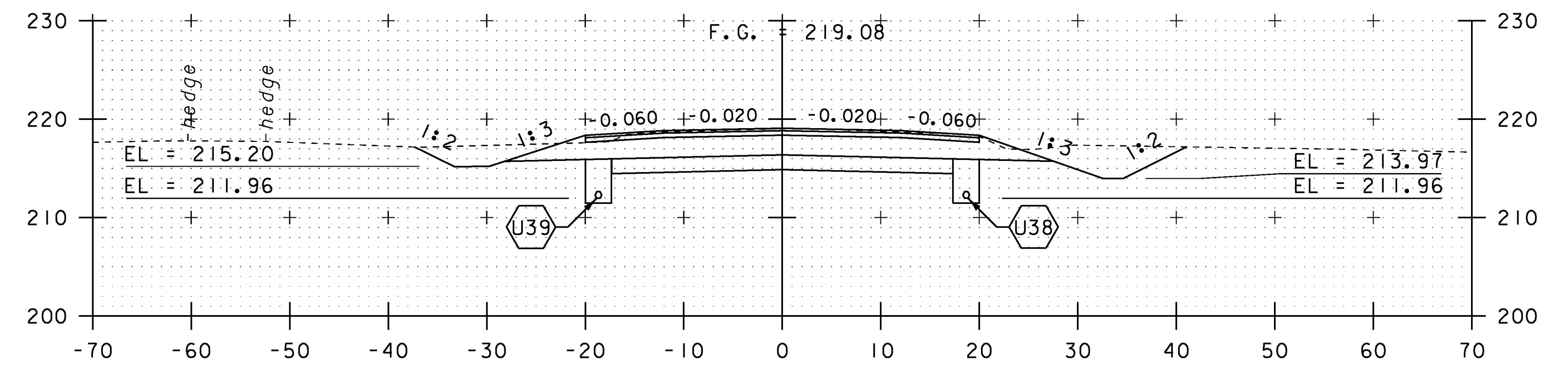
112+00



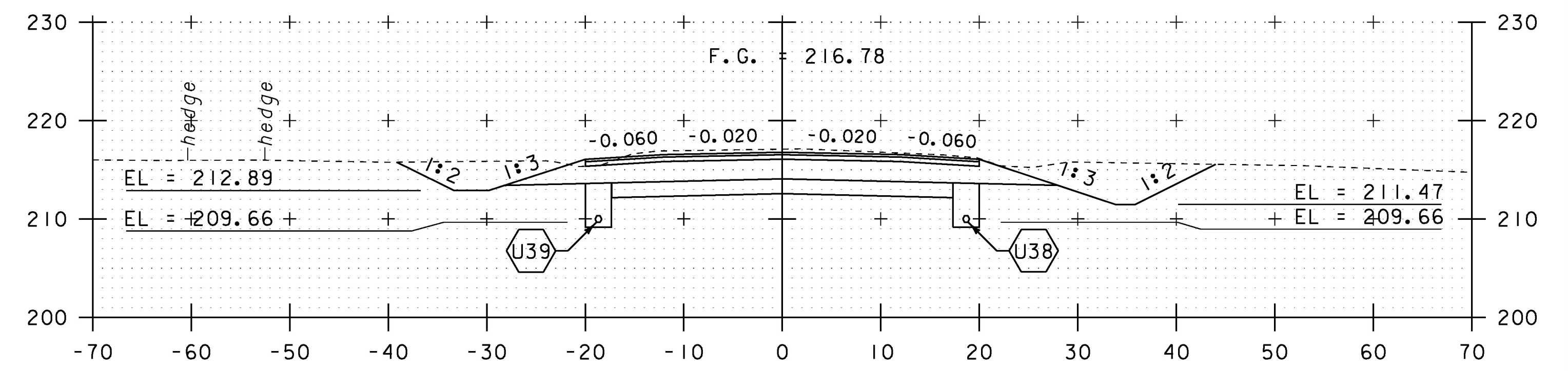
111+50



114+00



113+50



113+00

SCALE IN FEET

STA. 111+50 TO STA. 114+00

PROJECT NAME: CHARLOTTE	PLOT DATE: 15-MAR-2016
PROJECT NUMBER: F EGC 019-4(20)	DRAWN BY: B. KIPP
FILE NAME: d78d062_xs.dgn	CHECKED BY: C. LEACH
PROJECT LEADER: K. UPMAL	SHEET 334 OF 499
DESIGNED BY: B. KIPP	
MAINLINE CROSS SECTIONS 57	