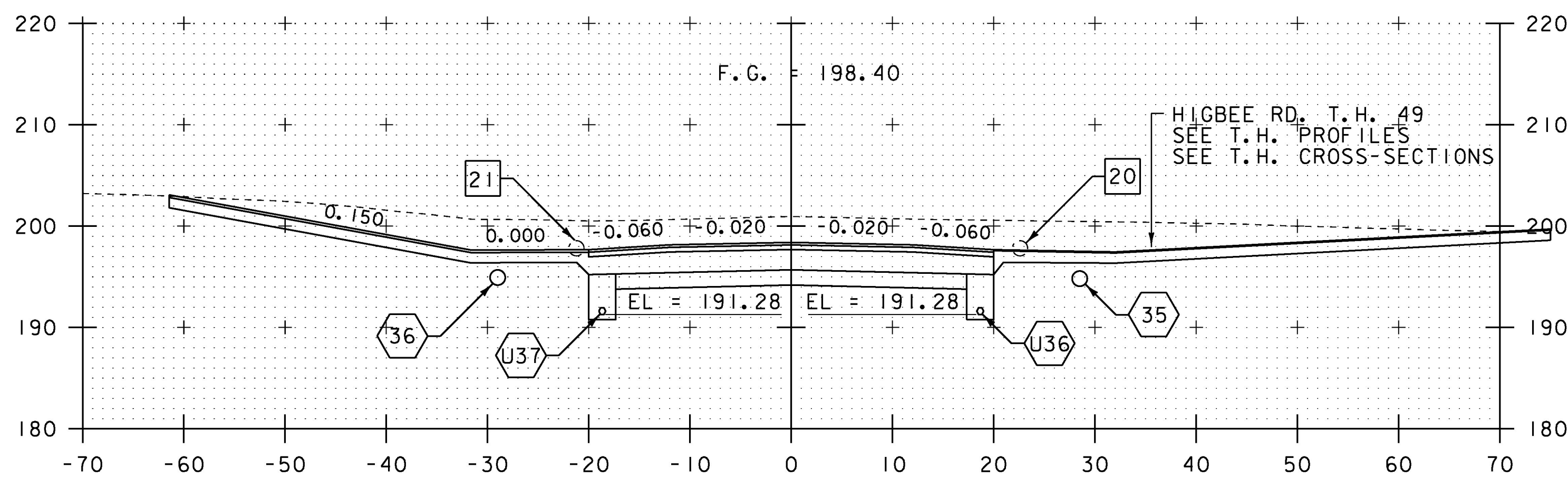
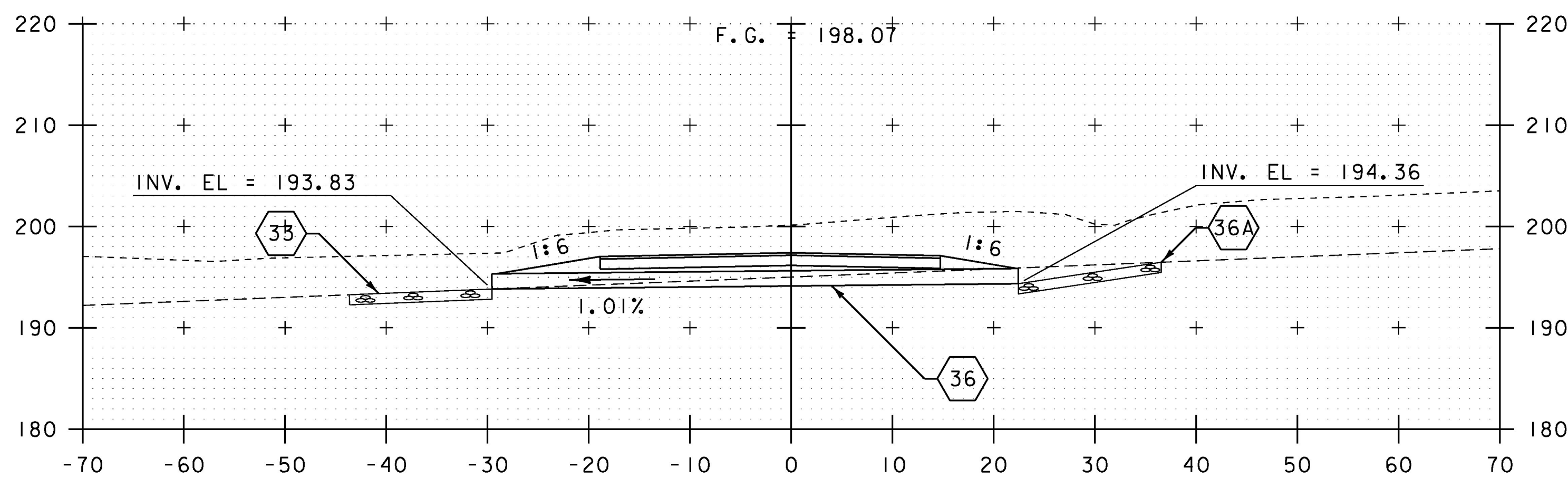


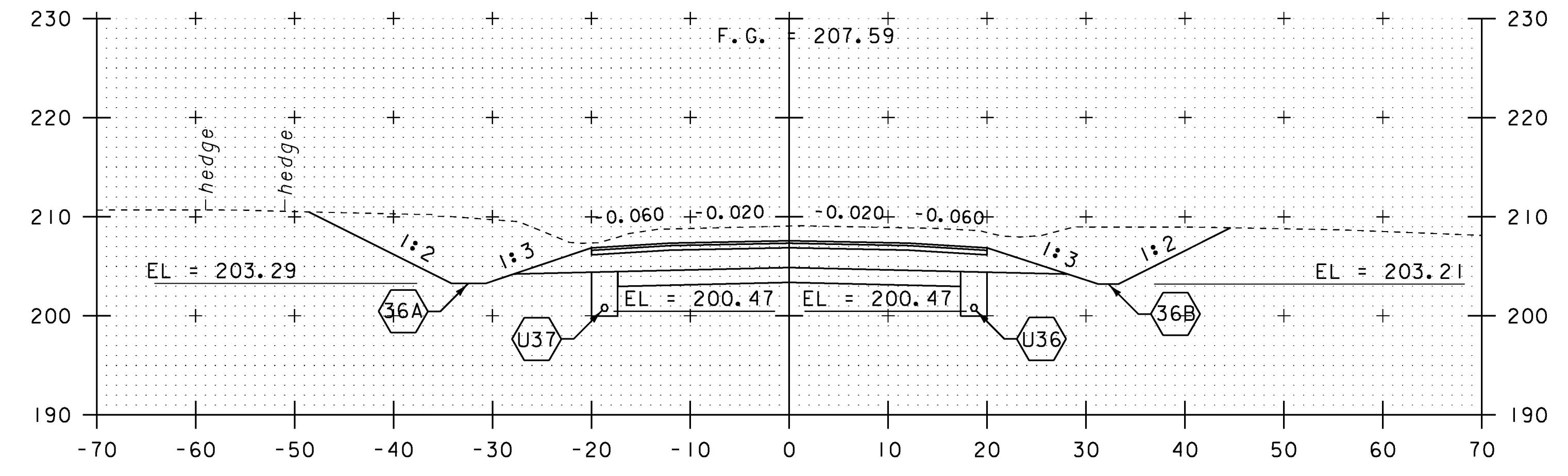
109+50



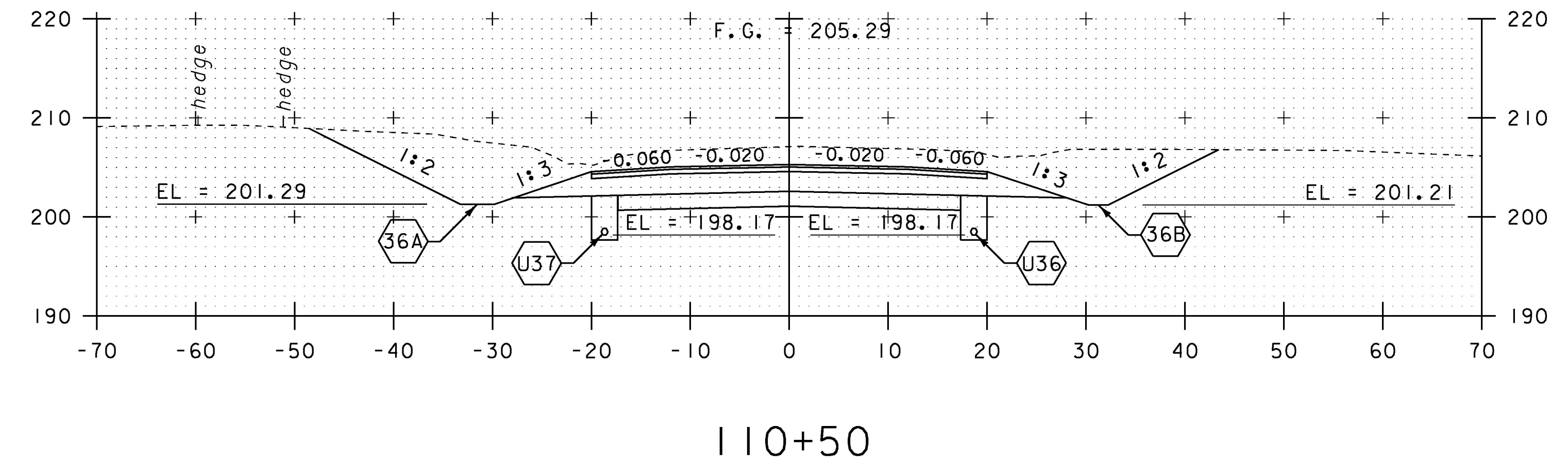
109+00



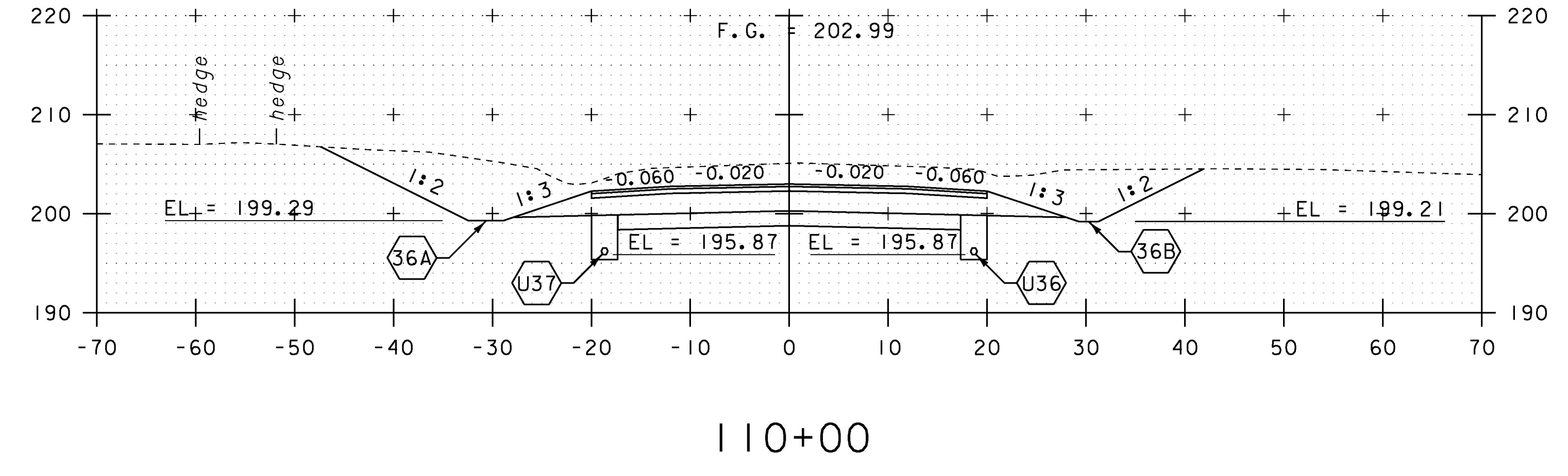
108+92 DRIVE LT SECTION A-A



111+00



110+50



110+00

SCALE IN FEET

STA. 108+92 TO STA. 111+00

PROJECT NAME: CHARLOTTE	
PROJECT NUMBER: F EGC 019-4(20)	
FILE NAME: d78d062_xs.dgn	PLOT DATE: 15-MAR-2016
PROJECT LEADER: K. UPMAL	DRAWN BY: B. KIPP
DESIGNED BY: B. KIPP	CHECKED BY: C. LEACH
MAINLINE CROSS SECTIONS 56	SHEET 333 OF 499