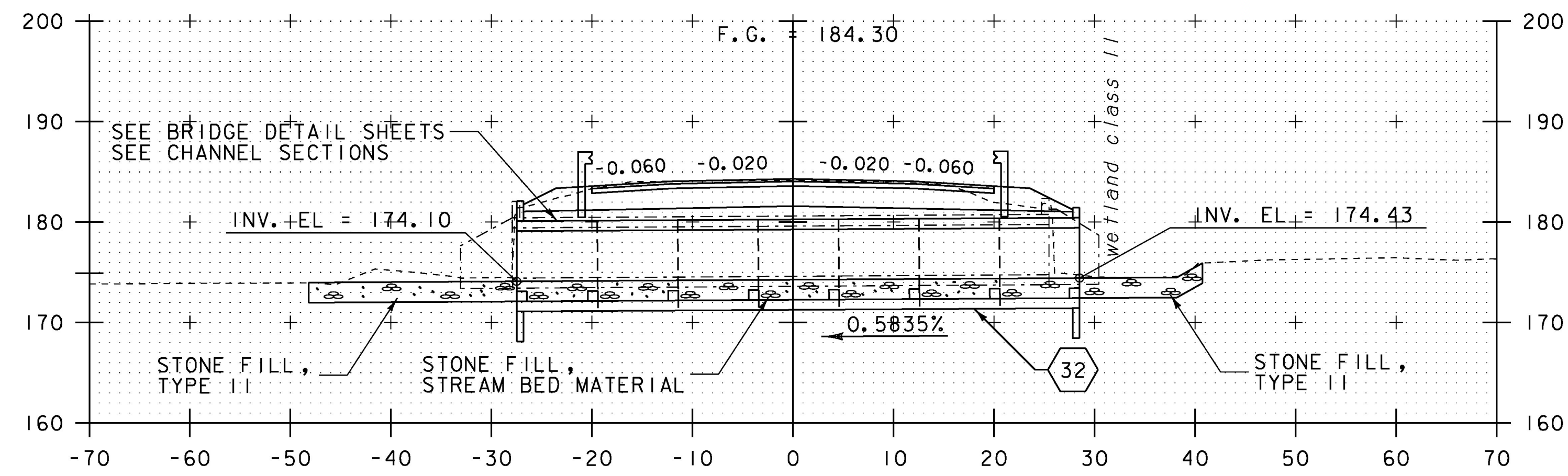
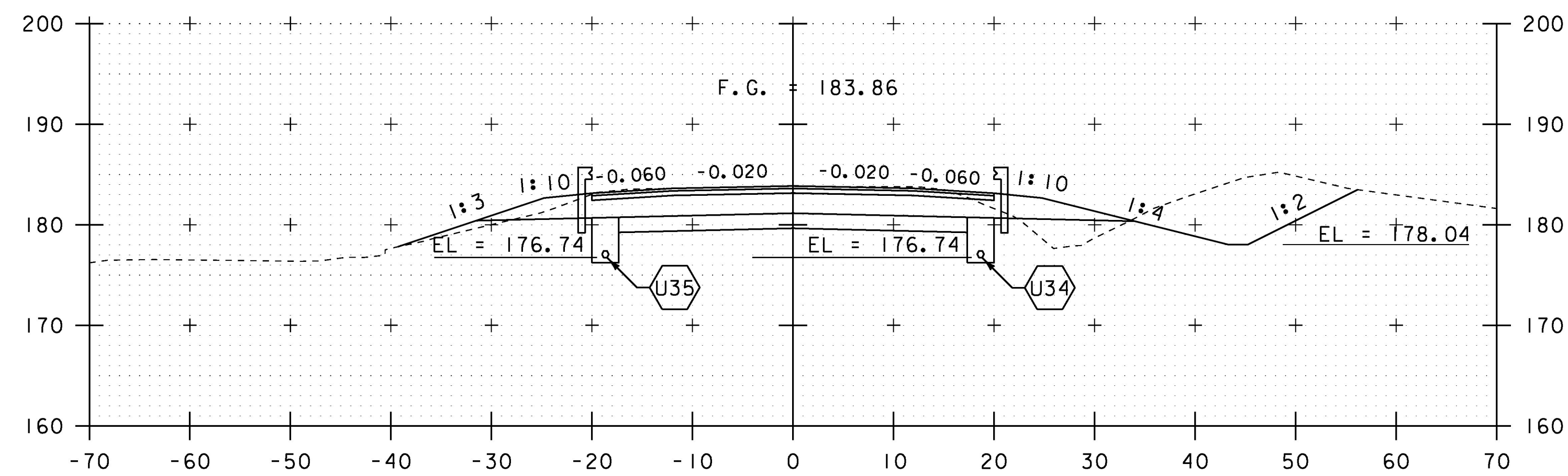


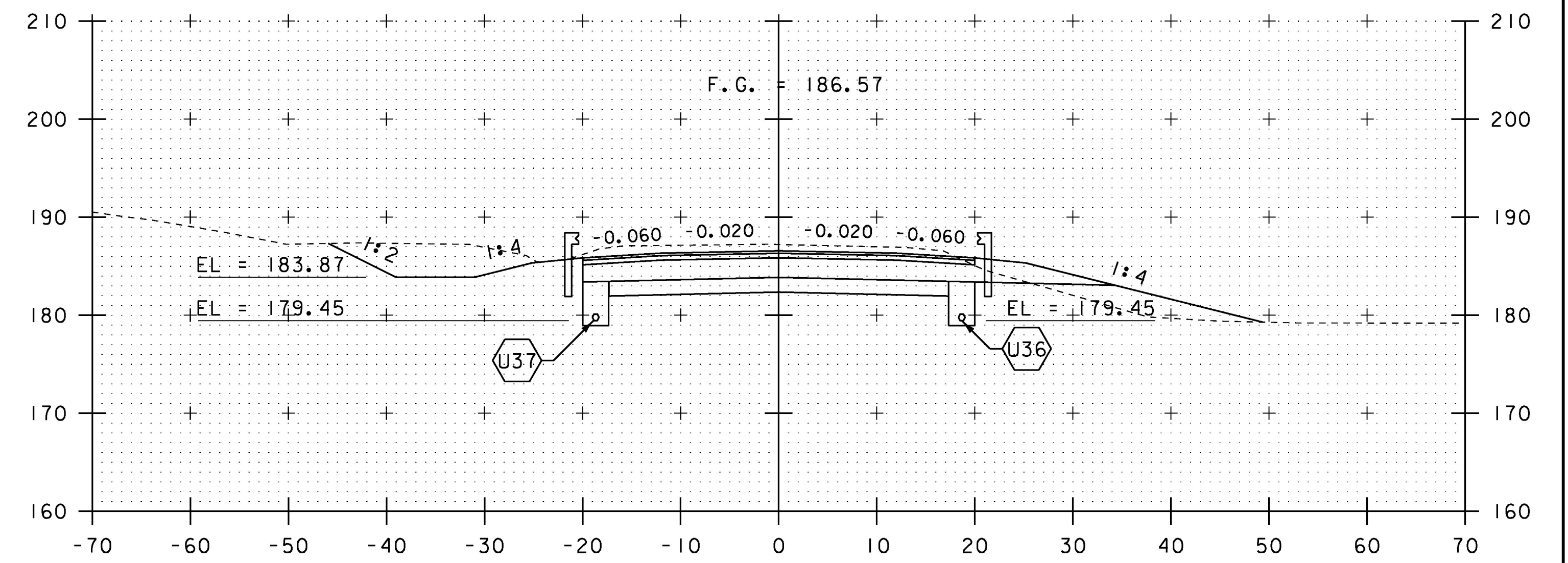
105+00



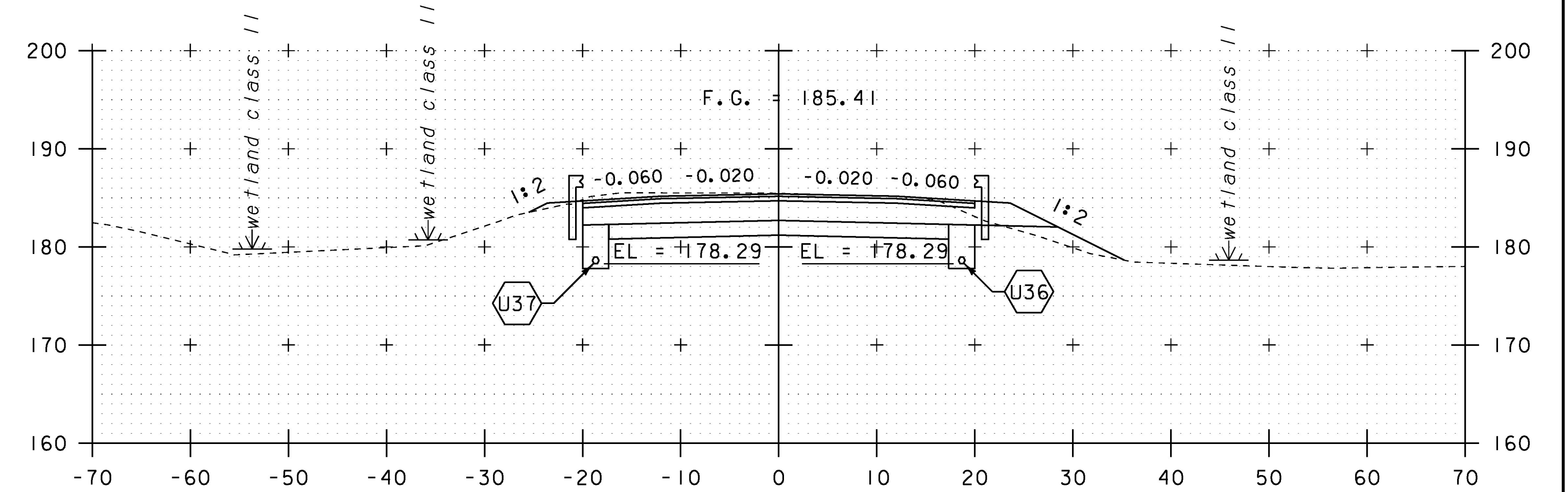
104+85  
BRIDGE #142



104+50



106+00



105+50

SCALE IN FEET

STA. 104+50 TO STA. 106+00

PROJECT NAME: CHARLOTTE	
PROJECT NUMBER: F EGC 019-4(20)	
FILE NAME: d78d062_xs.dgn	PLOT DATE: 15-MAR-2016
PROJECT LEADER: K. UPMAL	DRAWN BY: B. KIPP
DESIGNED BY: B. KIPP	CHECKED BY: C. LEACH
MAINLINE CROSS SECTIONS 53	SHEET 330 OF 499