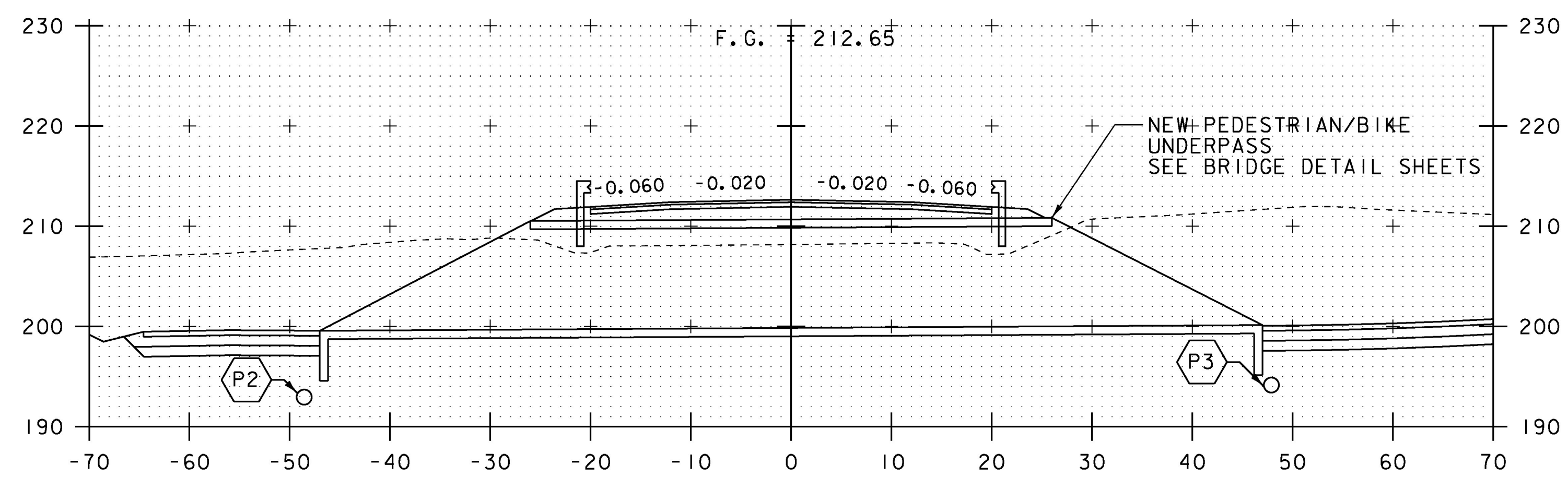
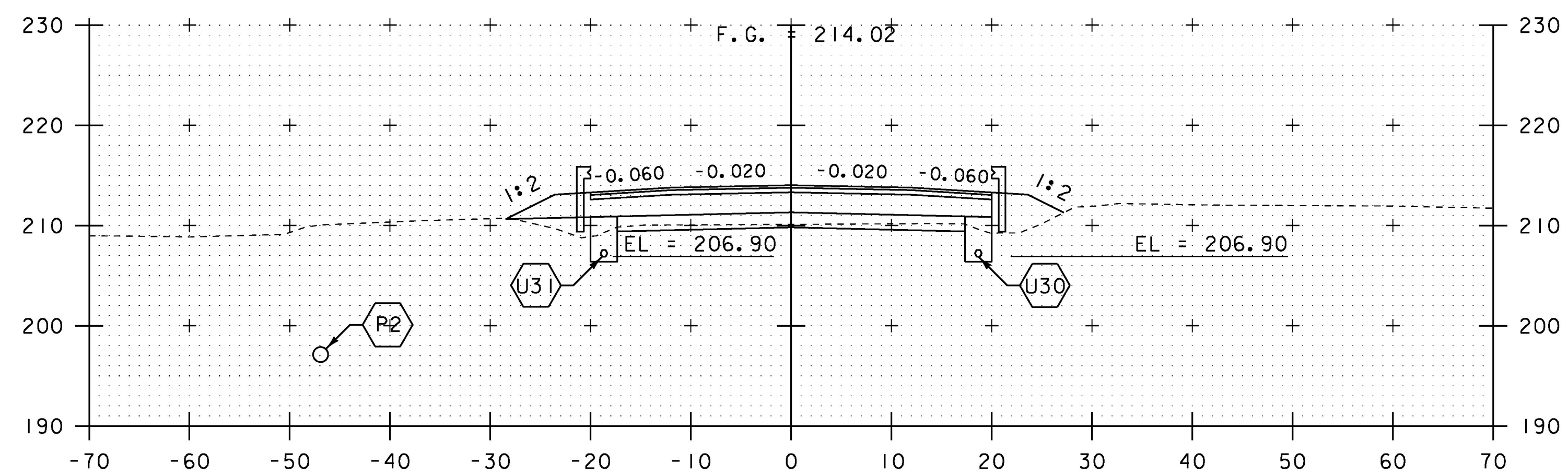


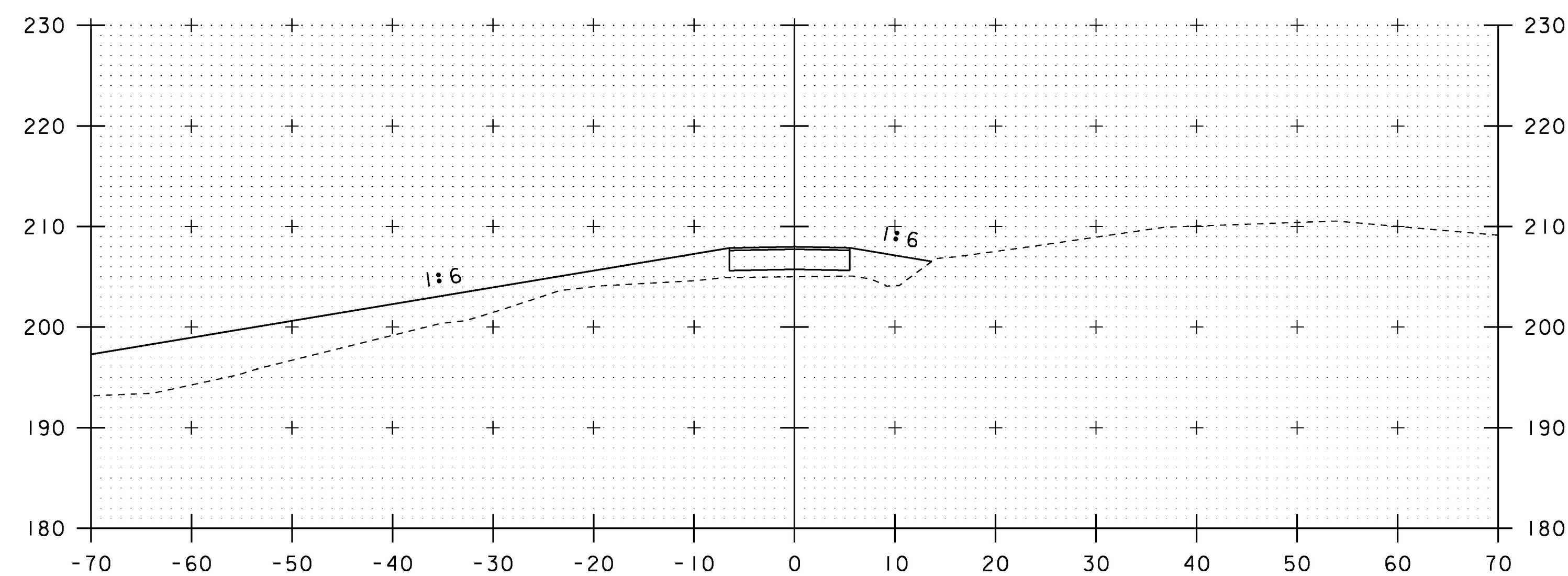
92+00



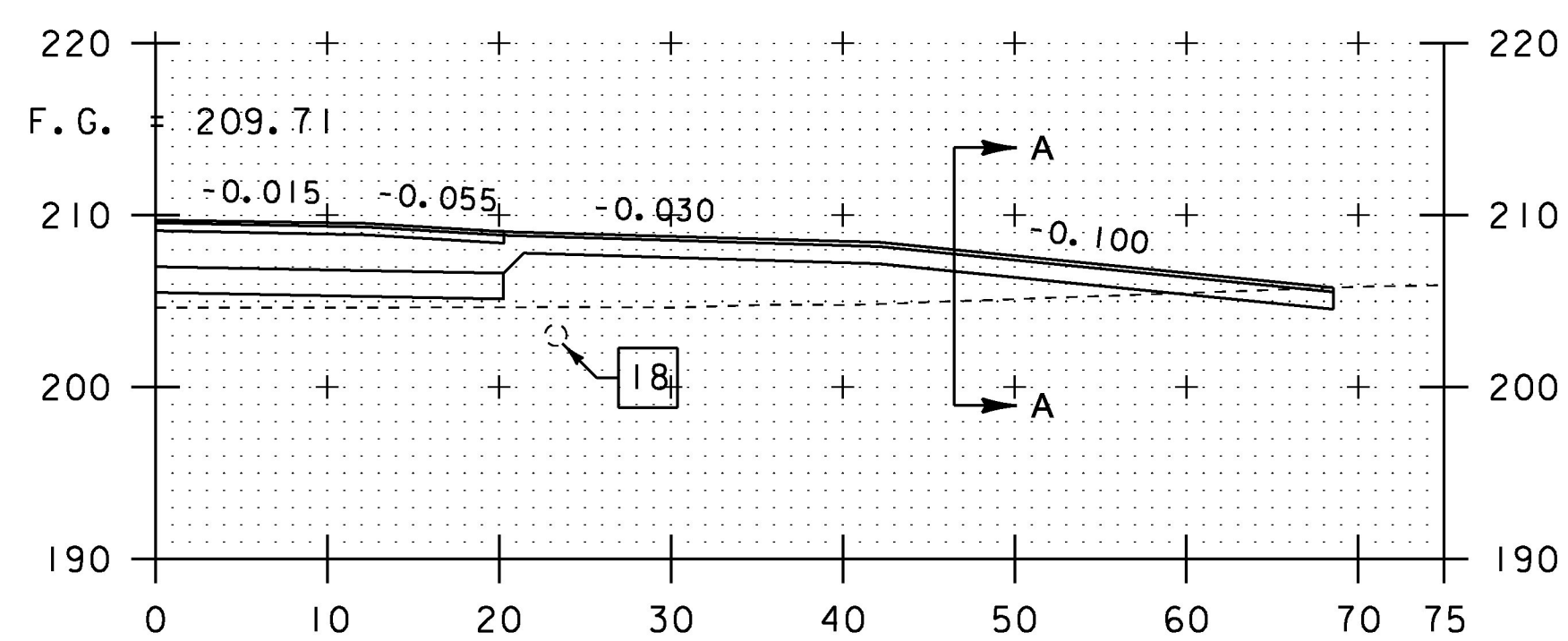
91+50
PEDESTRIAN-BIKE UNDERPASS



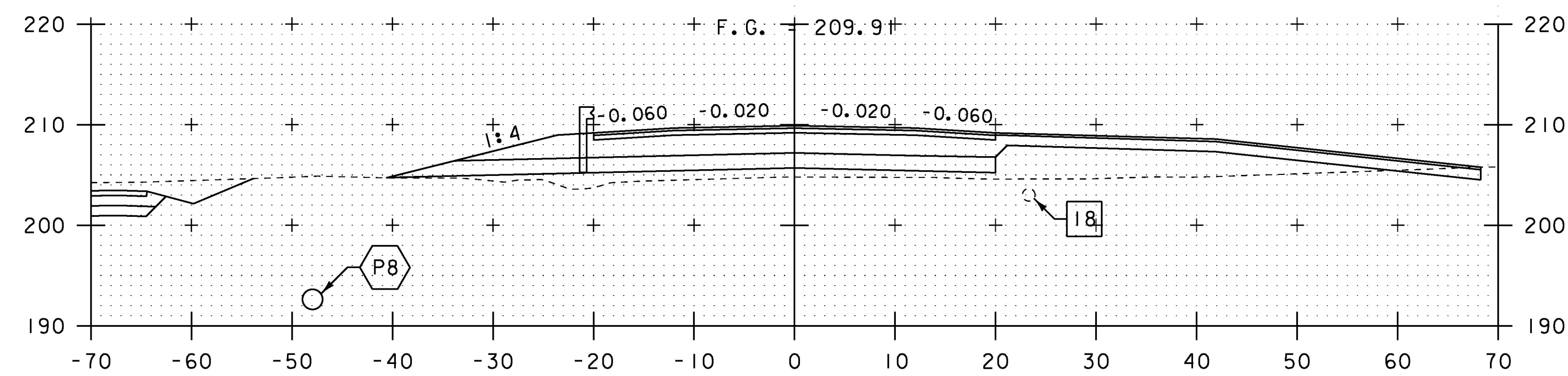
91+00



92+56 DRIVE RT SECTION A-A



92+56 DRIVE RT
(LOWER OLD TOWN TRAIL)



92+50

SCALE IN FEET

STA. 91+00 TO STA. 92+56

PROJECT NAME: CHARLOTTE	PLOT DATE: 15-MAR-2016
PROJECT NUMBER: F EGC 019-4(20)	DRAWN BY: B. KIPP
FILE NAME: d78d062_xs.dgn	CHECKED BY: C. LEACH
PROJECT LEADER: K. UPMAL	SHEET 323 OF 499
DESIGNED BY: B. KIPP	
MAINLINE CROSS SECTIONS 46	