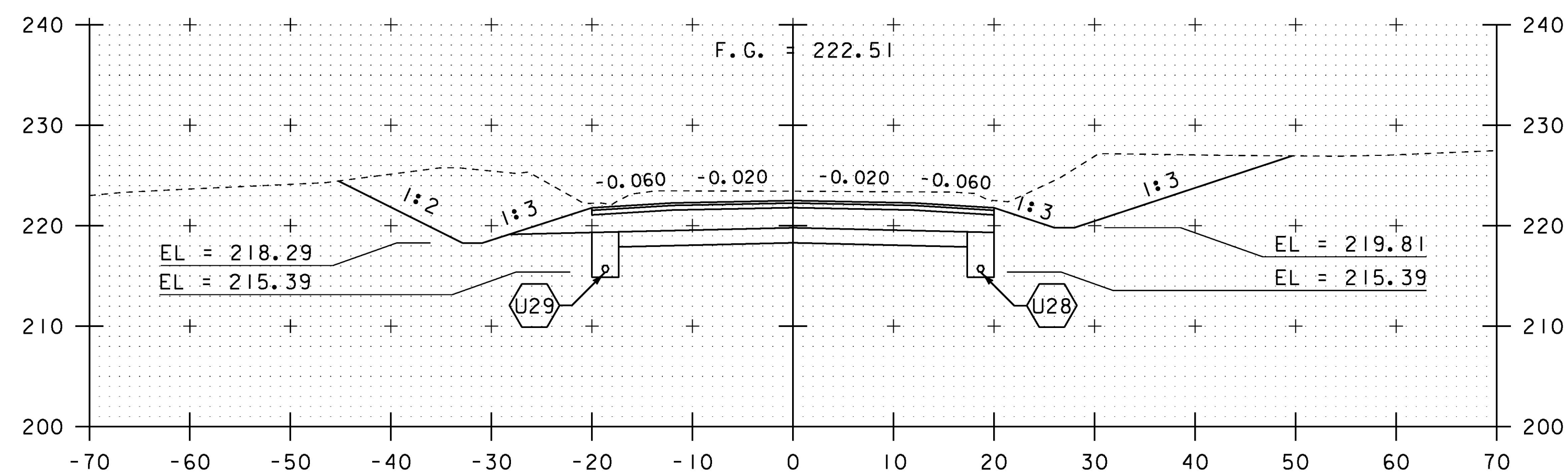
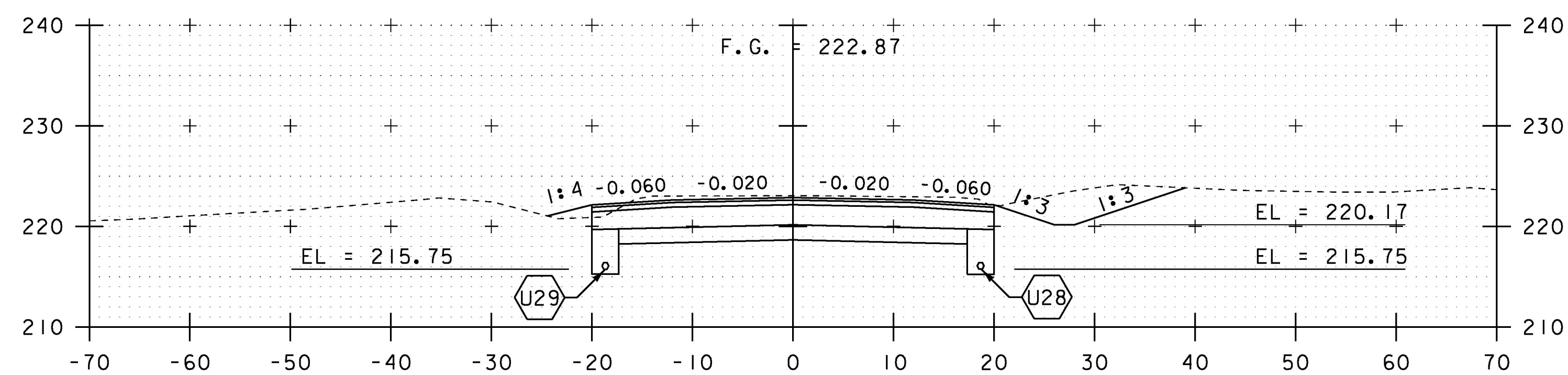


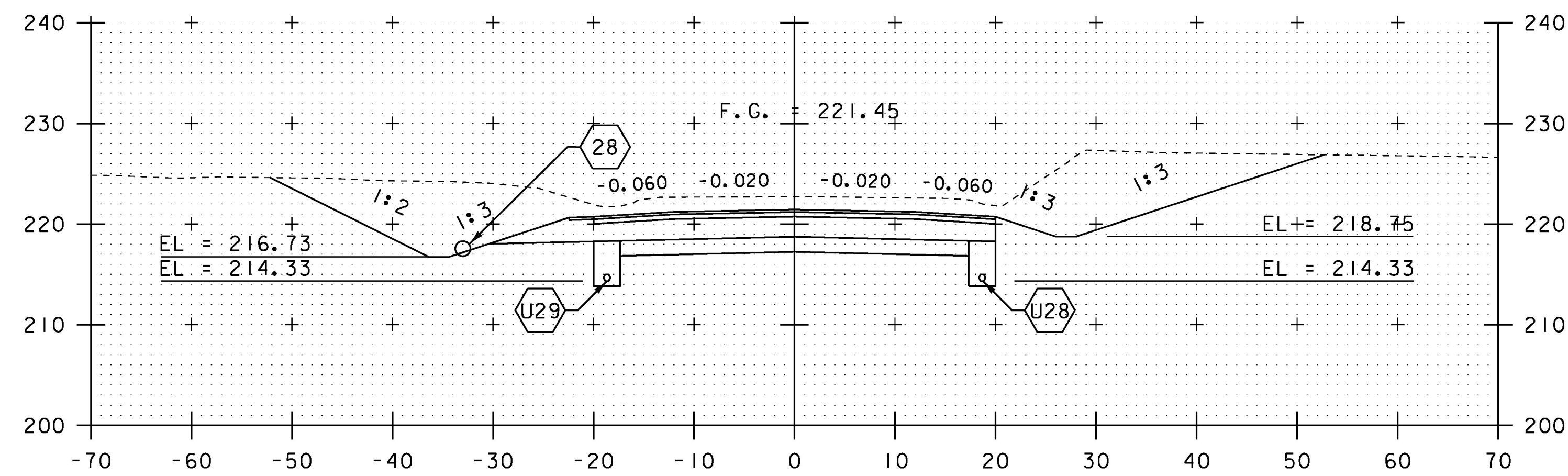
87+00



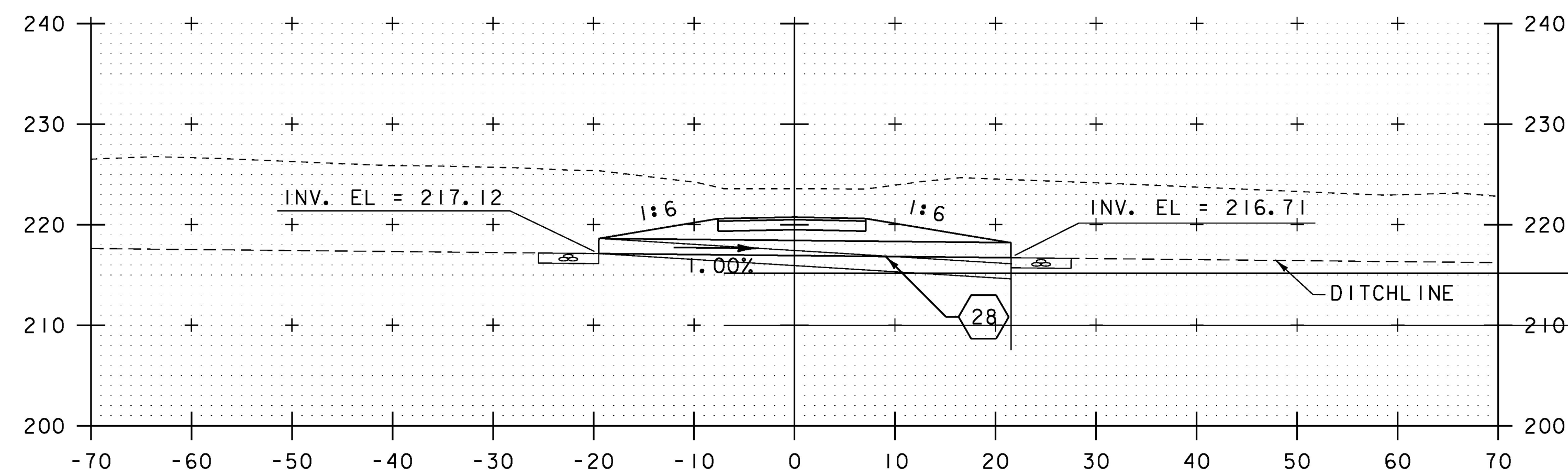
86+50



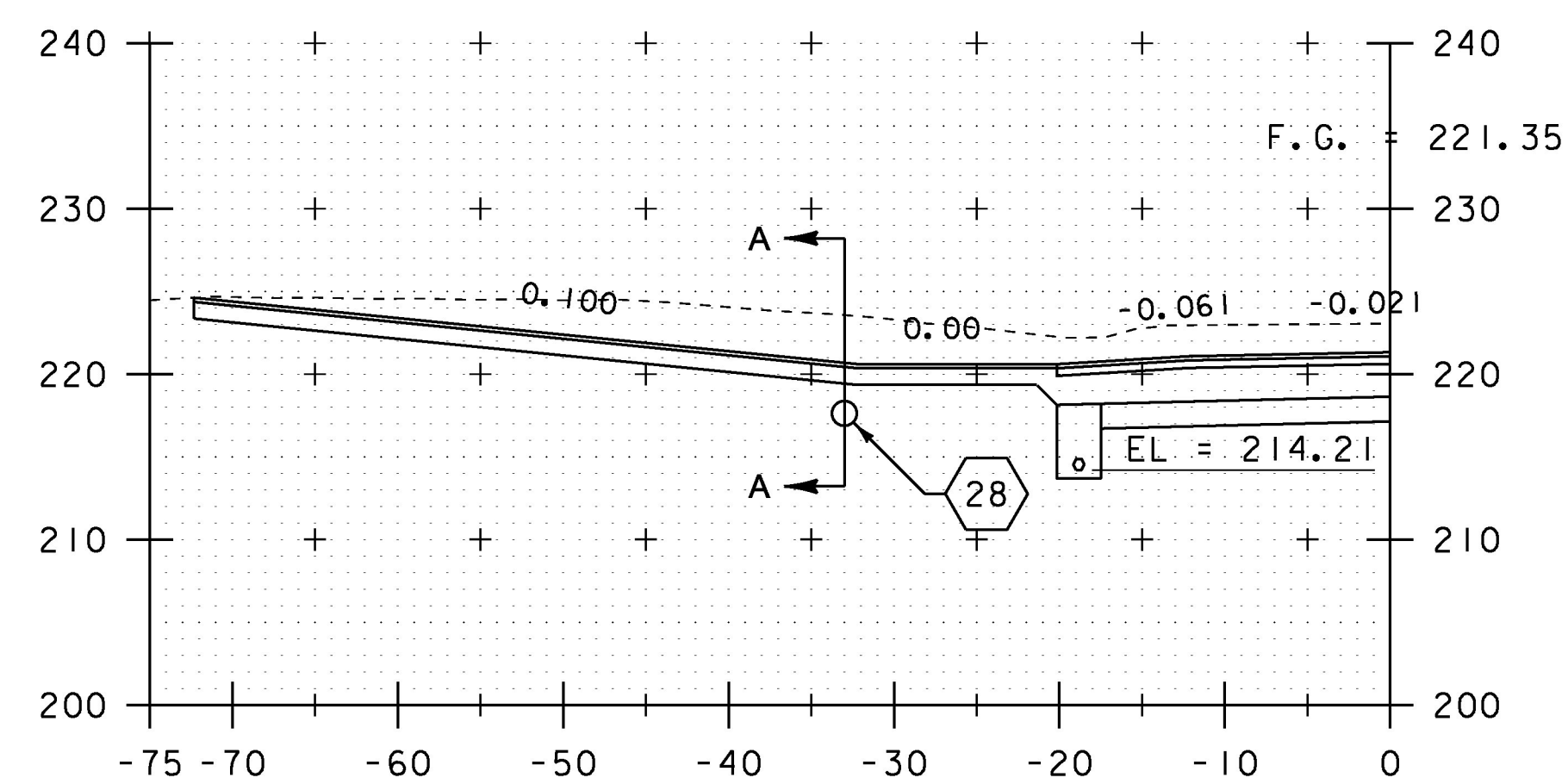
86+00



87+50



87+34 DRIVE LT SECTION A-A



87+34 DRIVE LT
SKEWED 7° 17' 06.72" RT

SCALE IN FEET

STA. 86+00 TO STA. 87+50

PROJECT NAME:	CHARLOTTE	PLOT DATE:	15-MAR-2016
PROJECT NUMBER:	F EGC 019-4(20)	DRAWN BY:	B. KIPP
FILE NAME:	d78d062_xs.dgn	CHECKED BY:	C. LEACH
PROJECT LEADER:	K. UPMAL	SHEET	321 OF 499
DESIGNED BY:	B. KIPP	MAINLINE CROSS SECTIONS	44