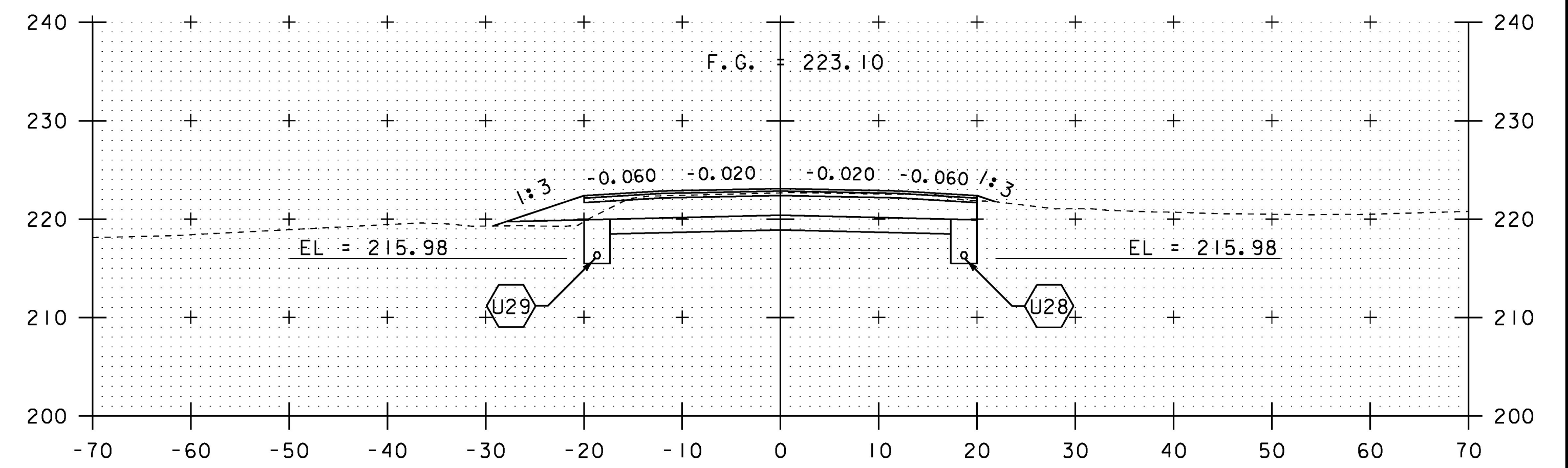
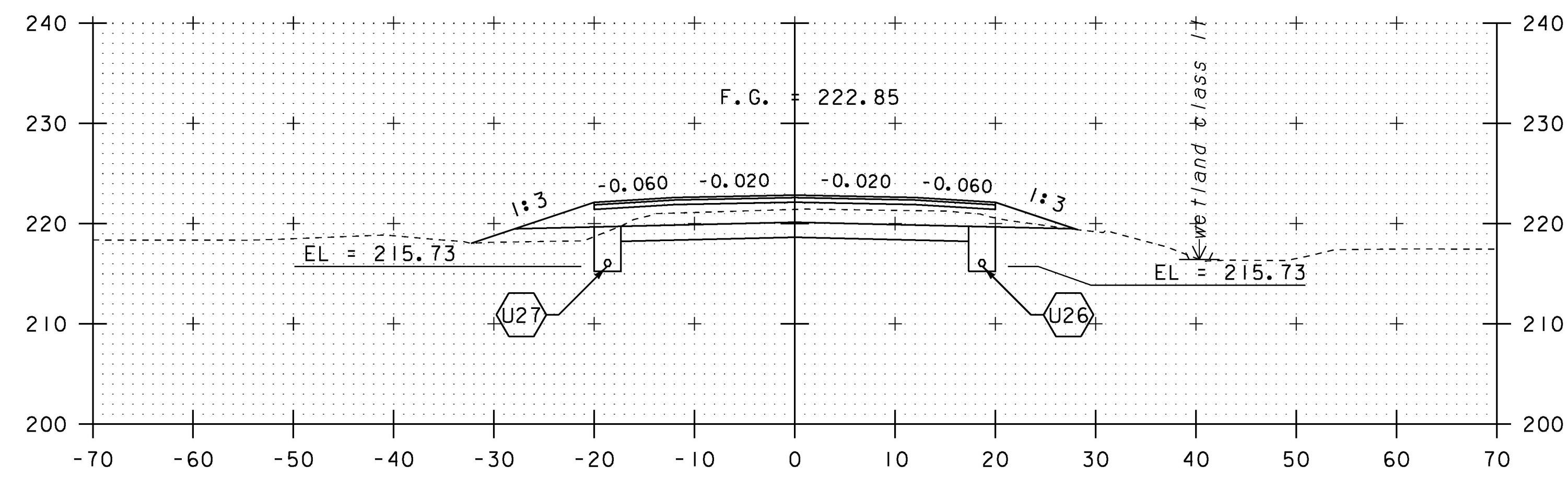


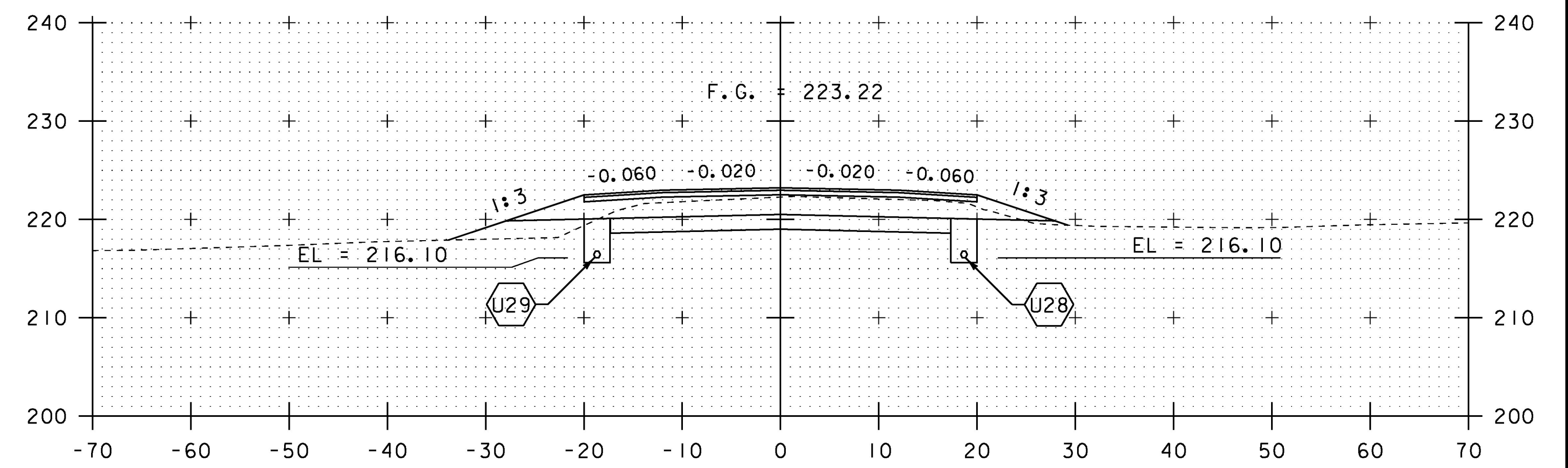
84+00



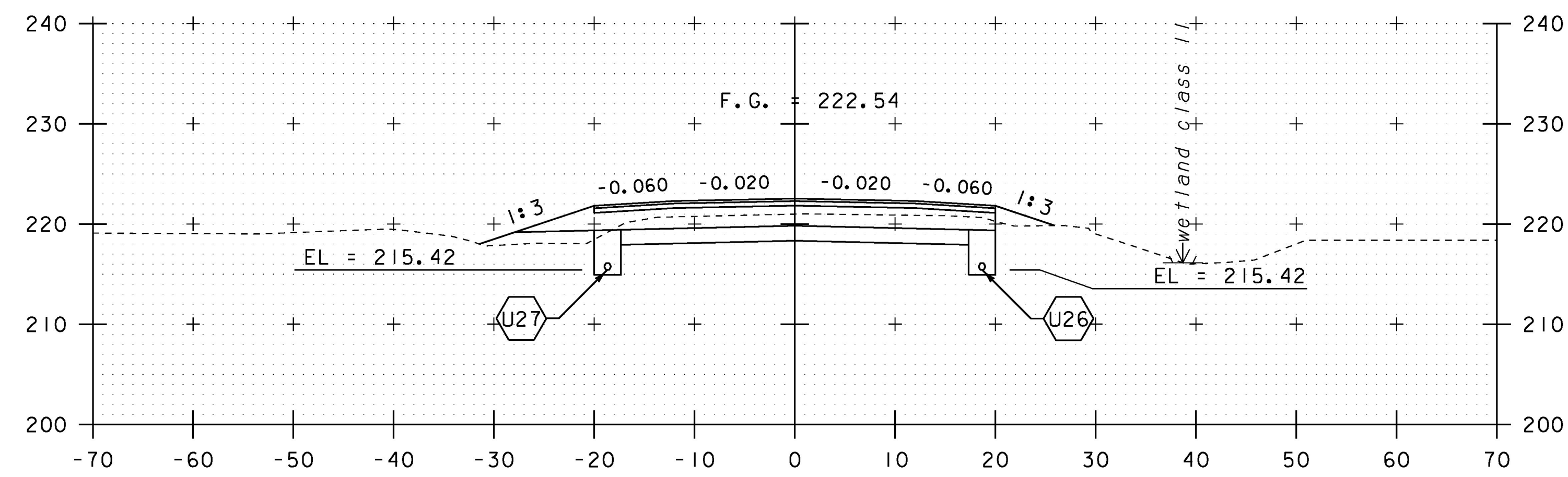
85+50



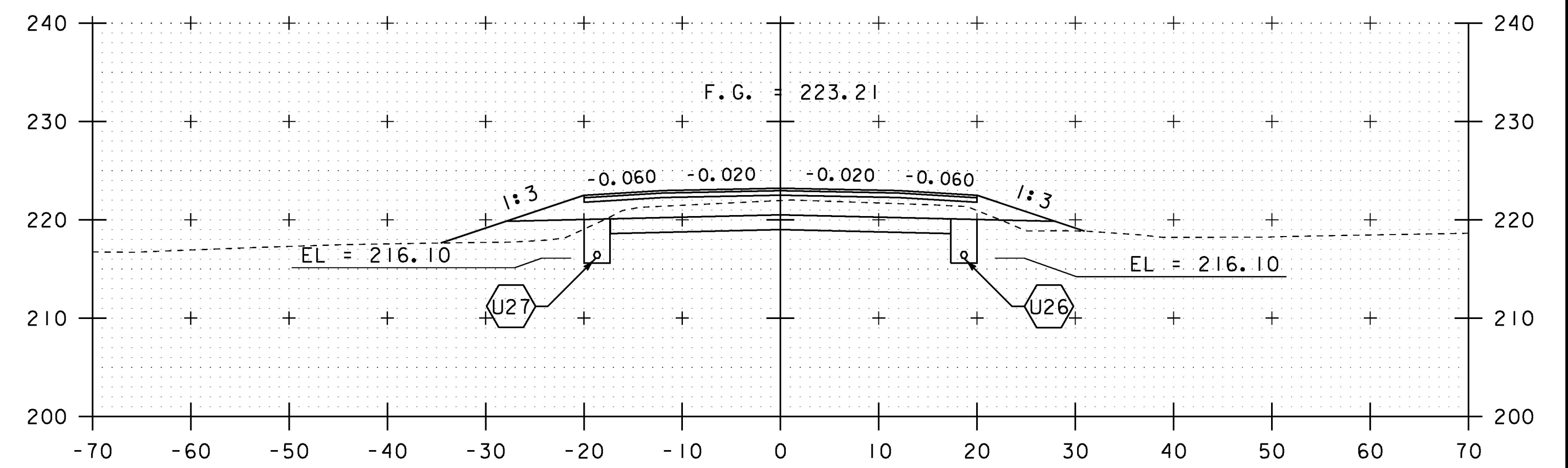
83+50



85+00



83+00



84+50

SCALE IN FEET

STA. 83+00 TO STA. 85+50

PROJECT NAME:	CHARLOTTE	PLOT DATE:	15-MAR-2016
PROJECT NUMBER:	F EGC 019-4(20)	DRAWN BY:	B. KIPP
FILE NAME:	d78d062_xs.dgn	CHECKED BY:	C. LEACH
PROJECT LEADER:	K. UPMAL	MAINLINE CROSS SECTIONS	43
DESIGNED BY:	B. KIPP	SHEET	320 OF 499