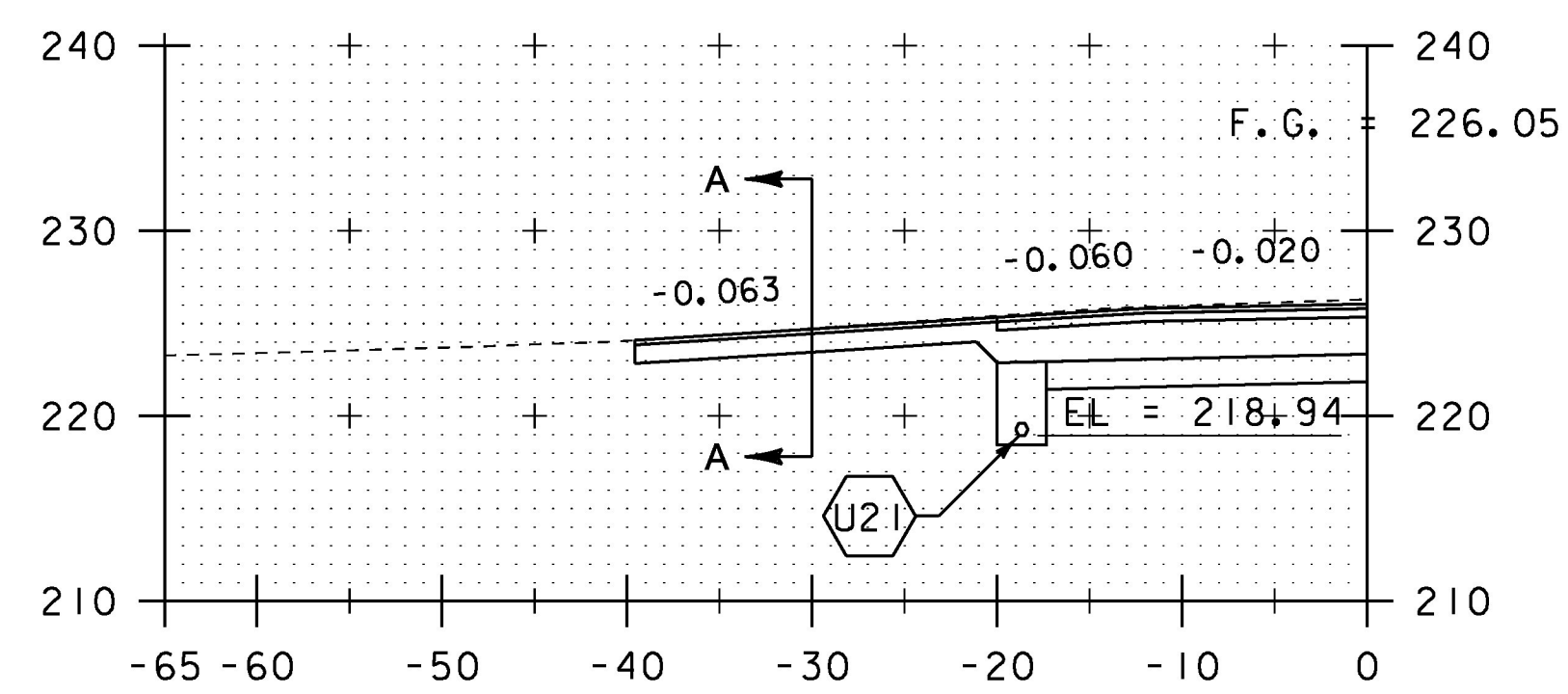
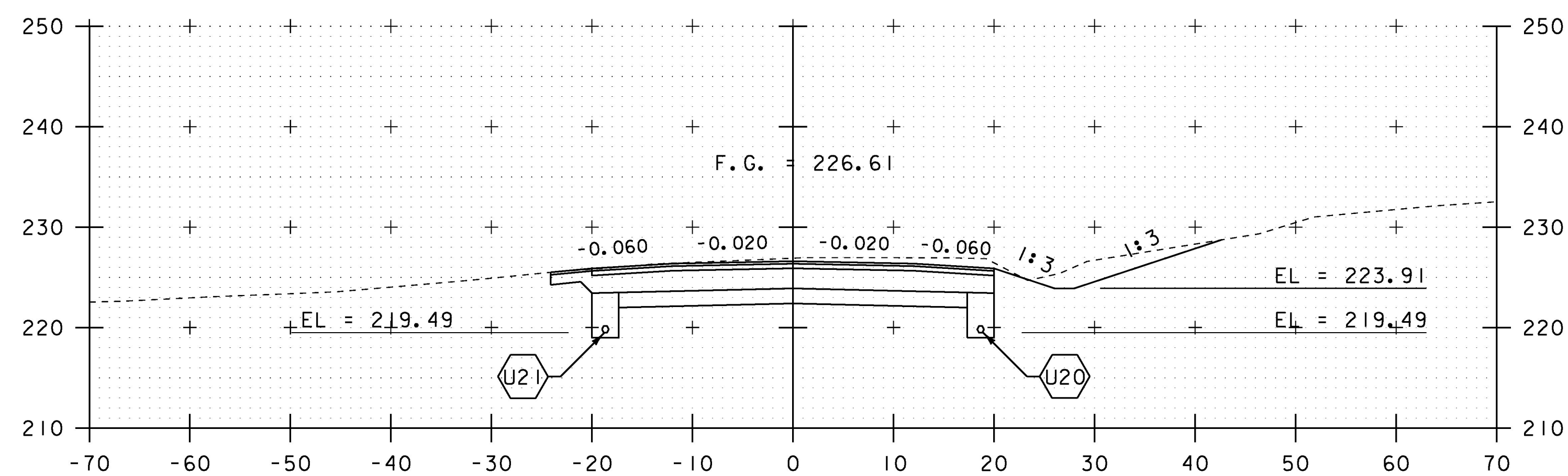


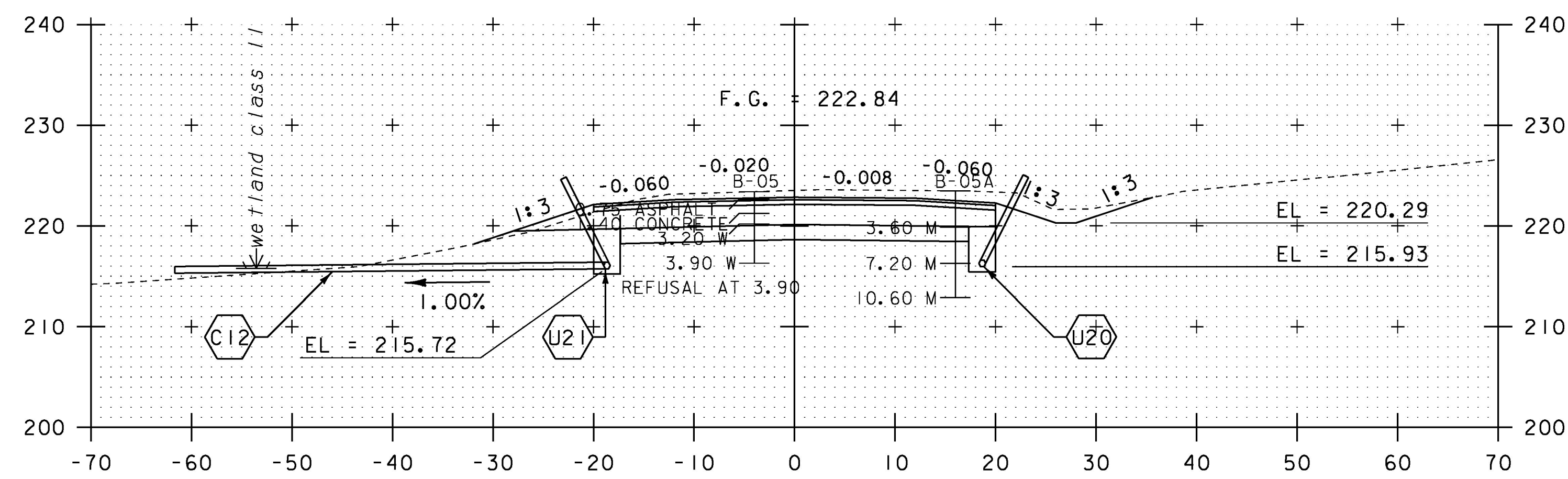
66+70 DRIVE LT SECTION A-A



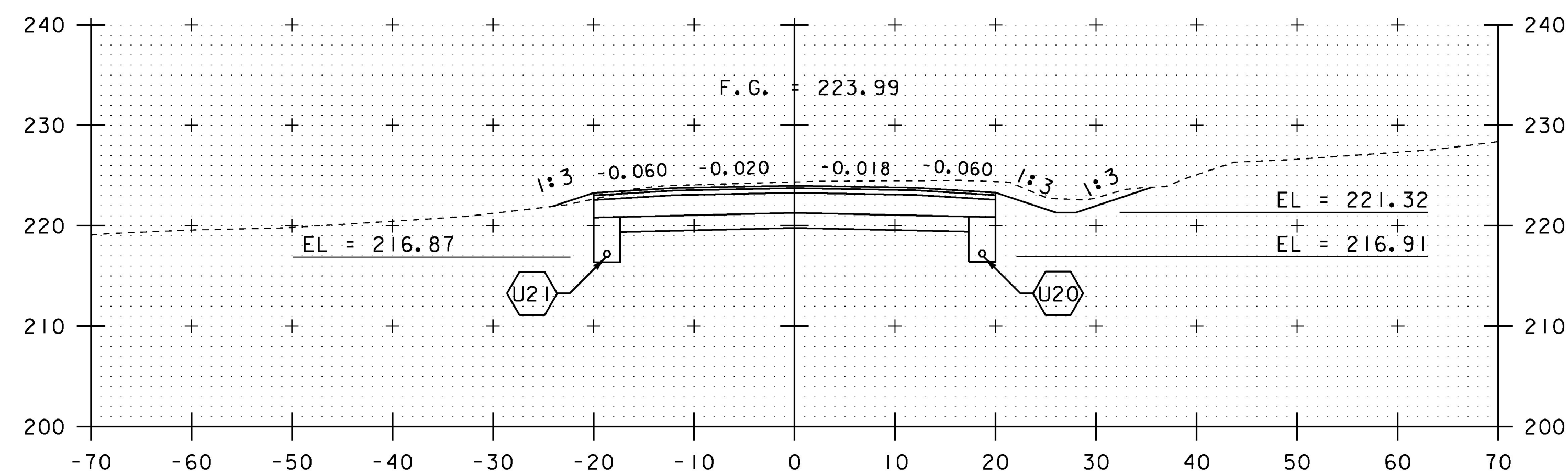
66+70 DRIVE LT



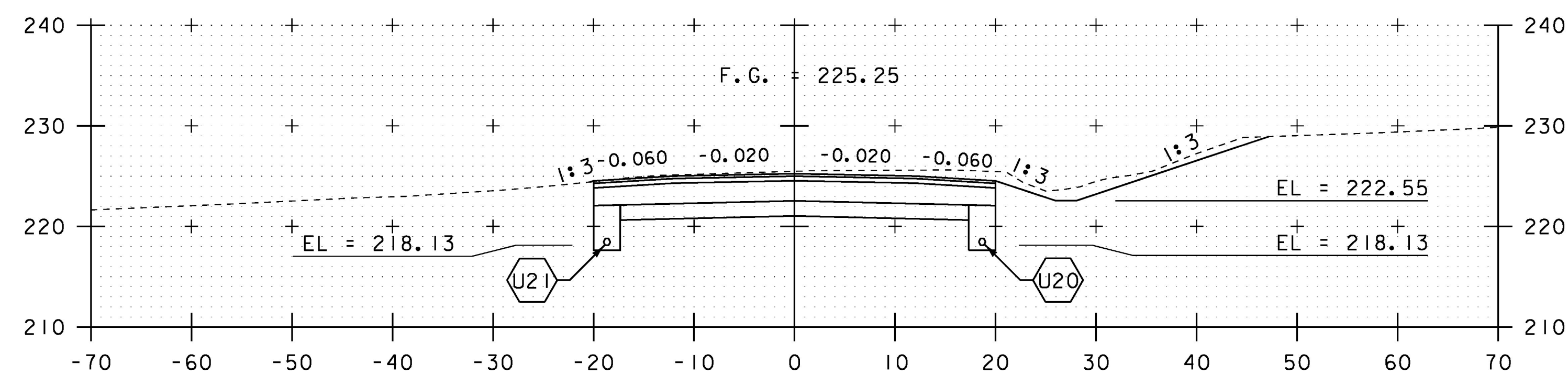
66+50



68+00



67+50



67+00

SCALE IN FEET

STA. 66+50 TO STA. 68+00

PROJECT NAME:	CHARLOTTE
PROJECT NUMBER:	F EGC 019-4(20)
FILE NAME:	d78d062_xs.dgn
PROJECT LEADER:	K. UPMAL
DESIGNED BY:	B. KIPP
MAINLINE CROSS SECTIONS	35
PLOT DATE:	15-MAR-2016
DRAWN BY:	B. KIPP
CHECKED BY:	C. LEACH
SHEET	312 OF 499