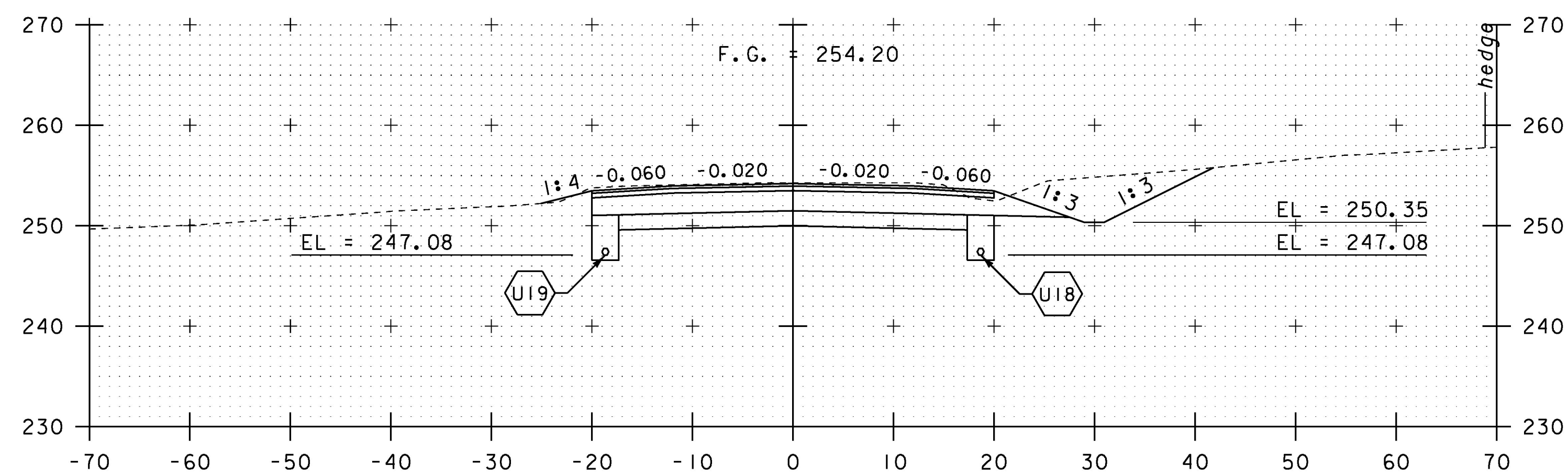
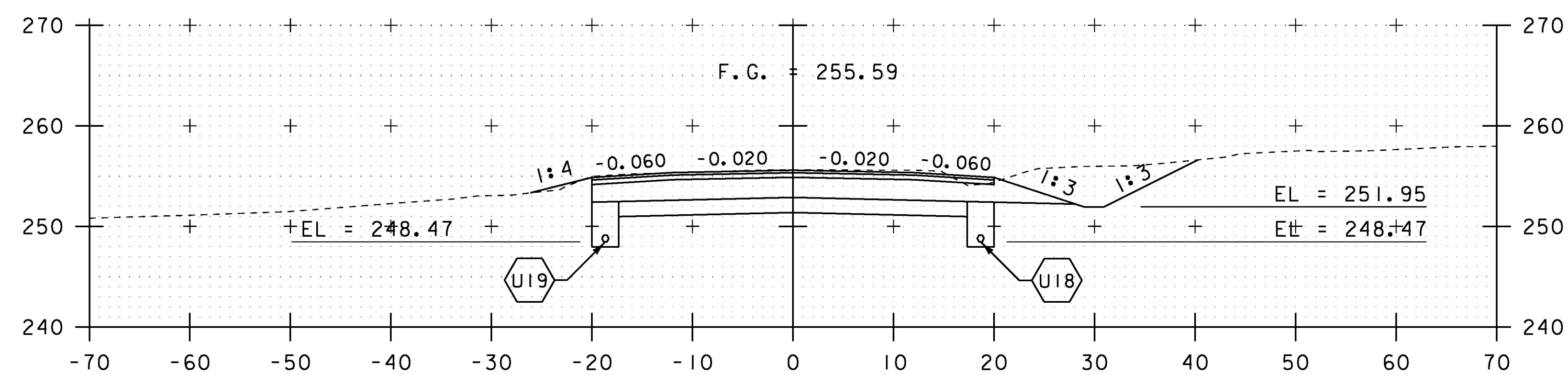


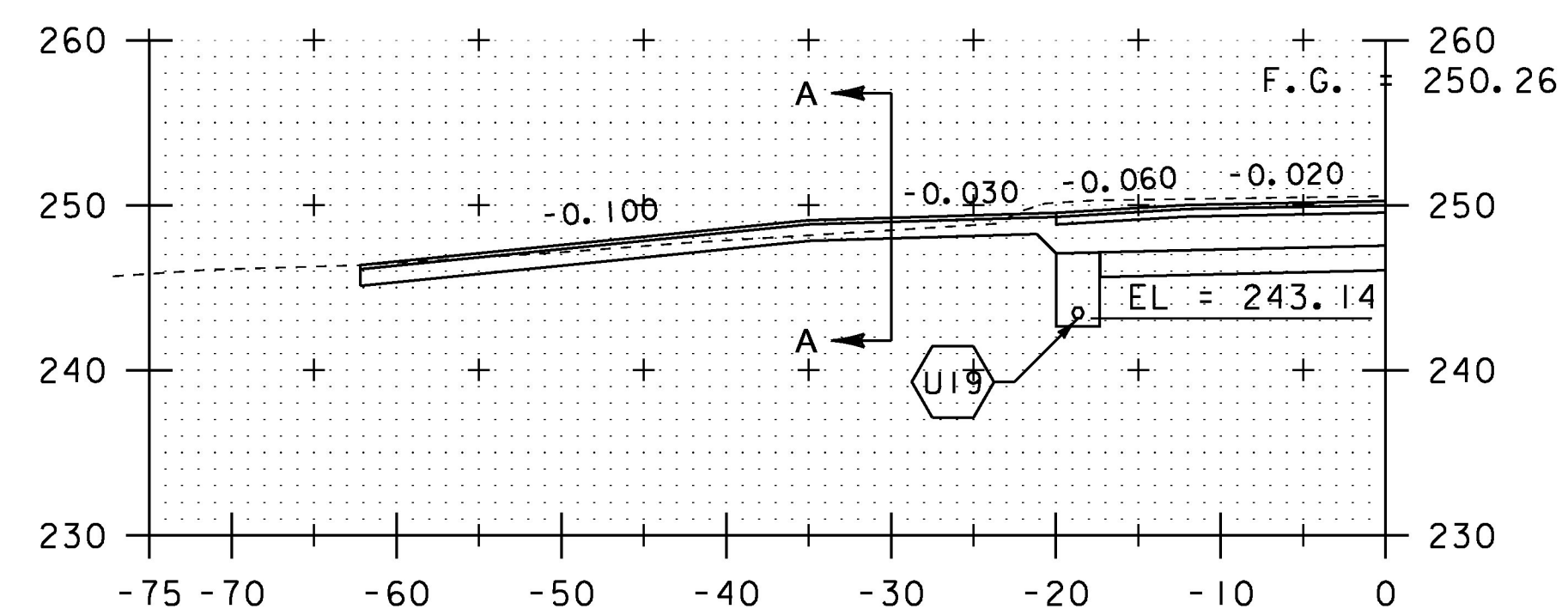
59+50



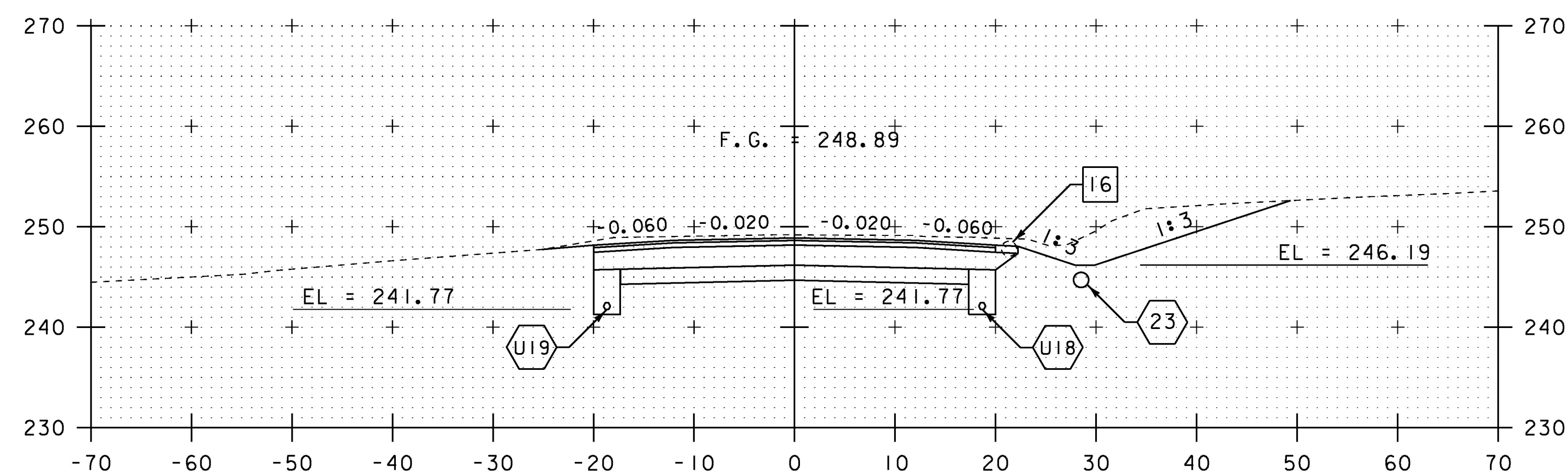
59+00



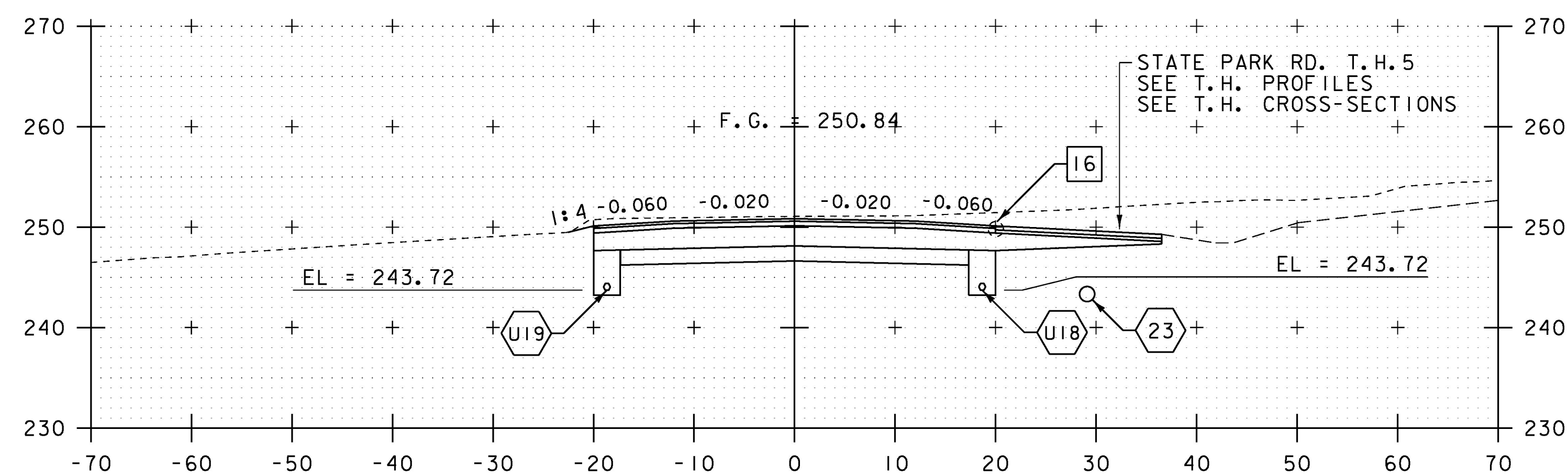
58+50



60+16 DRIVE LT



60+50



60+00

SCALE IN FEET

STA. 58+50 TO STA. 60+16

PROJECT NAME:	CHARLOTTE
PROJECT NUMBER:	F EGC 019-4(20)
FILE NAME:	d78d062_xs.dgn
PROJECT LEADER:	K. UPMAL
DESIGNED BY:	B. KIPP
MAINLINE CROSS SECTIONS	30
PLOT DATE:	15-MAR-2016
DRAWN BY:	B. KIPP
CHECKED BY:	C. LEACH
SHEET	307 OF 499