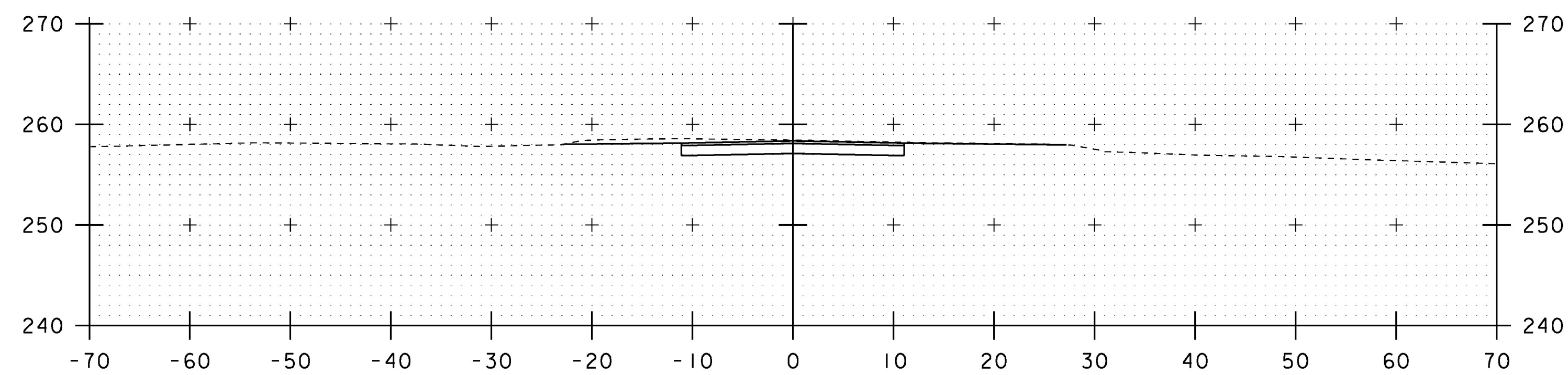
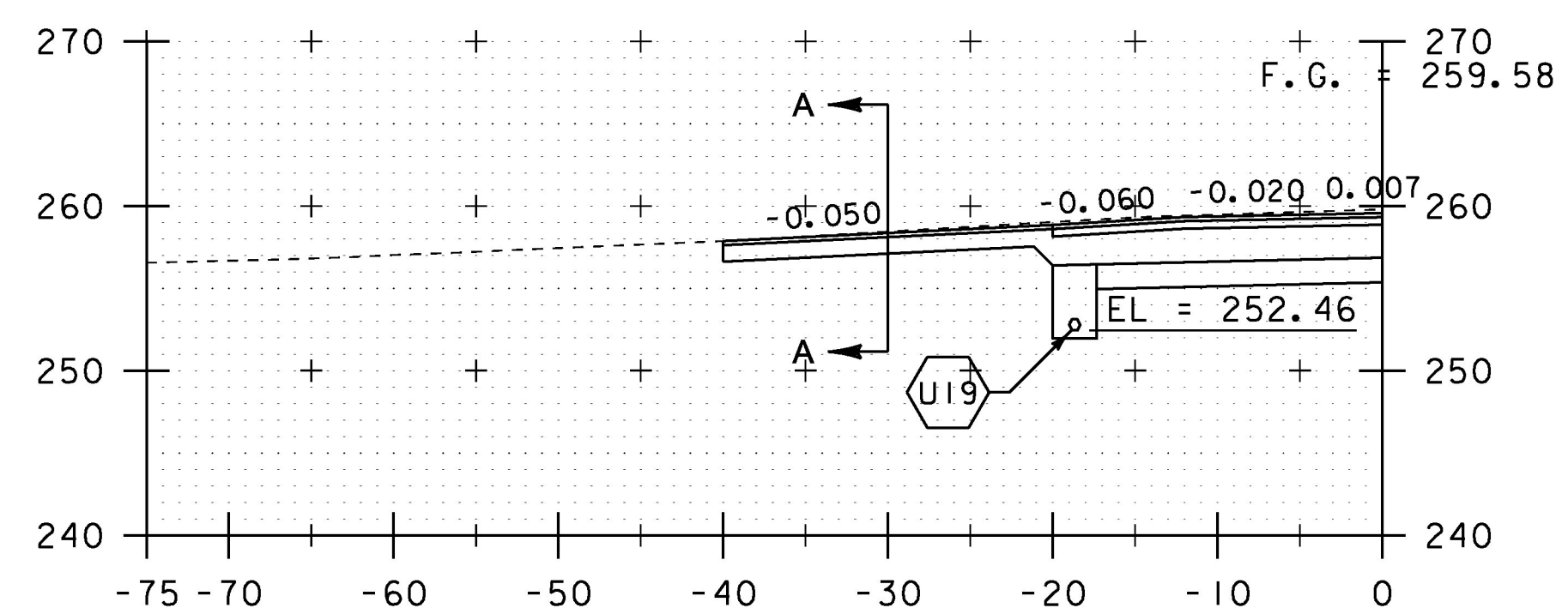


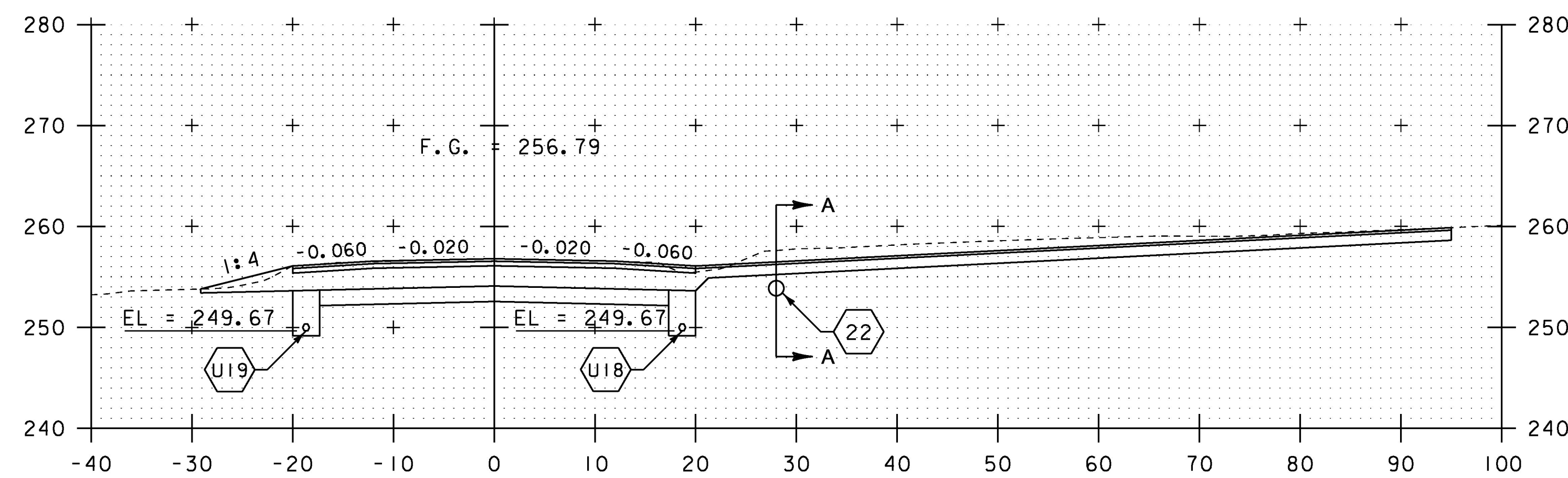
56+50 DRIVE RT



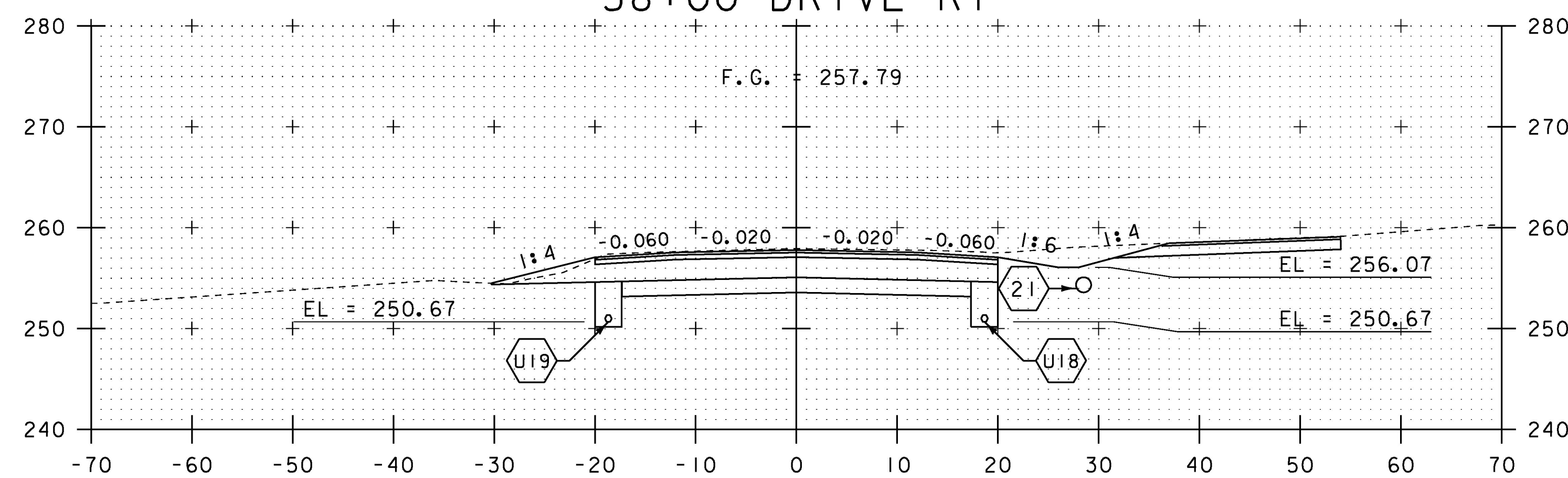
56+10 DRIVE LT SECTION A-A



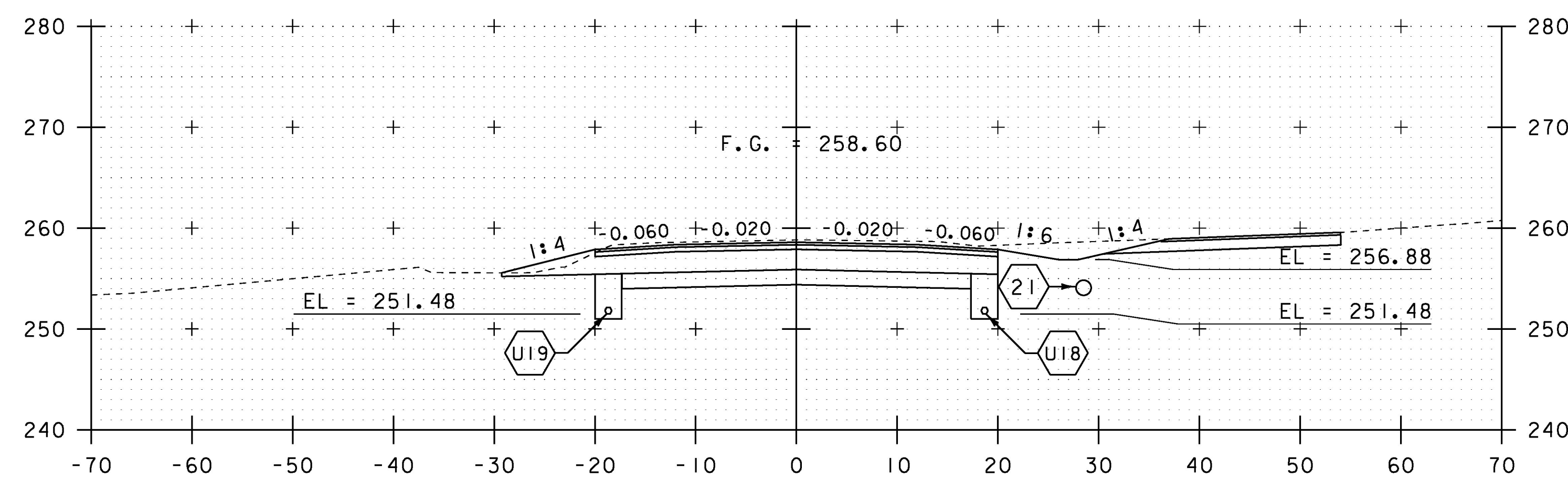
56+10 DRIVE LT



58+00 DRIVE RT



57+50



57+00

SCALE IN FEET

STA. 56+10 TO STA. 58+00

PROJECT NAME:	CHARLOTTE
PROJECT NUMBER:	F EGC 019-4(20)
FILE NAME:	d78d062_xs.dgn
PROJECT LEADER:	K. UPMAL
DESIGNED BY:	B. KIPP
MAINLINE CROSS SECTIONS	28
PLOT DATE:	15-MAR-2016
DRAWN BY:	B. KIPP
CHECKED BY:	C. LEACH
SHEET	305 OF 499