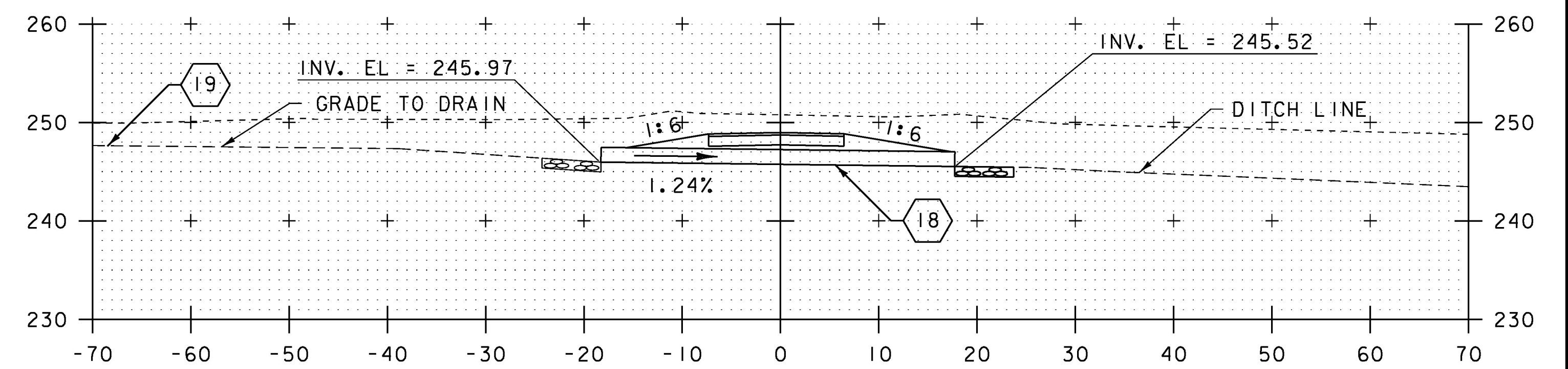
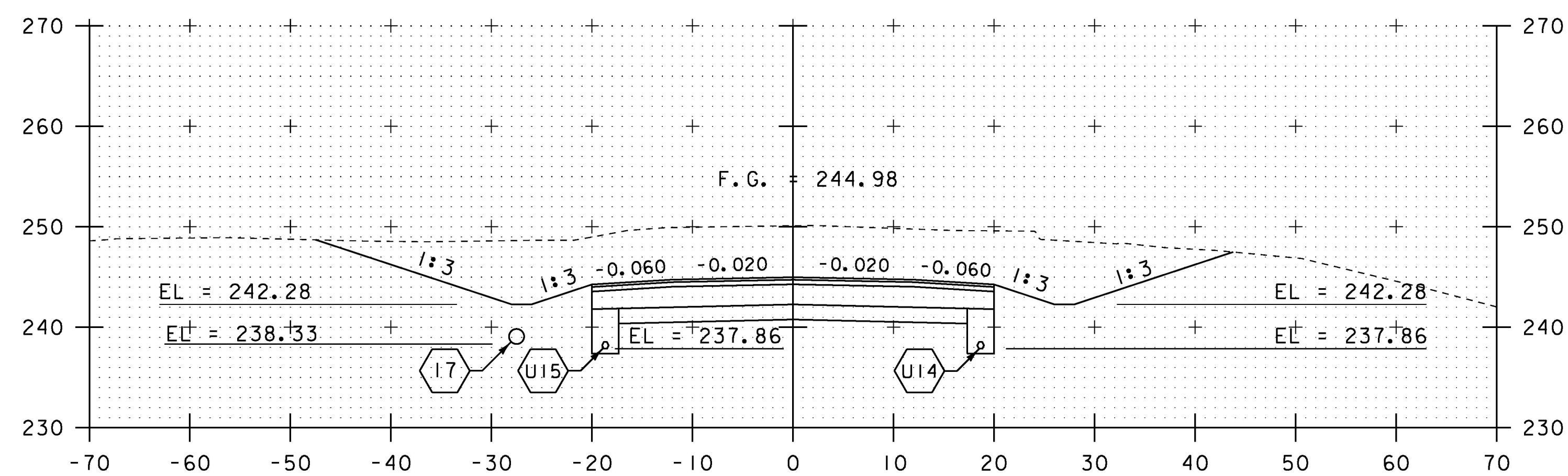


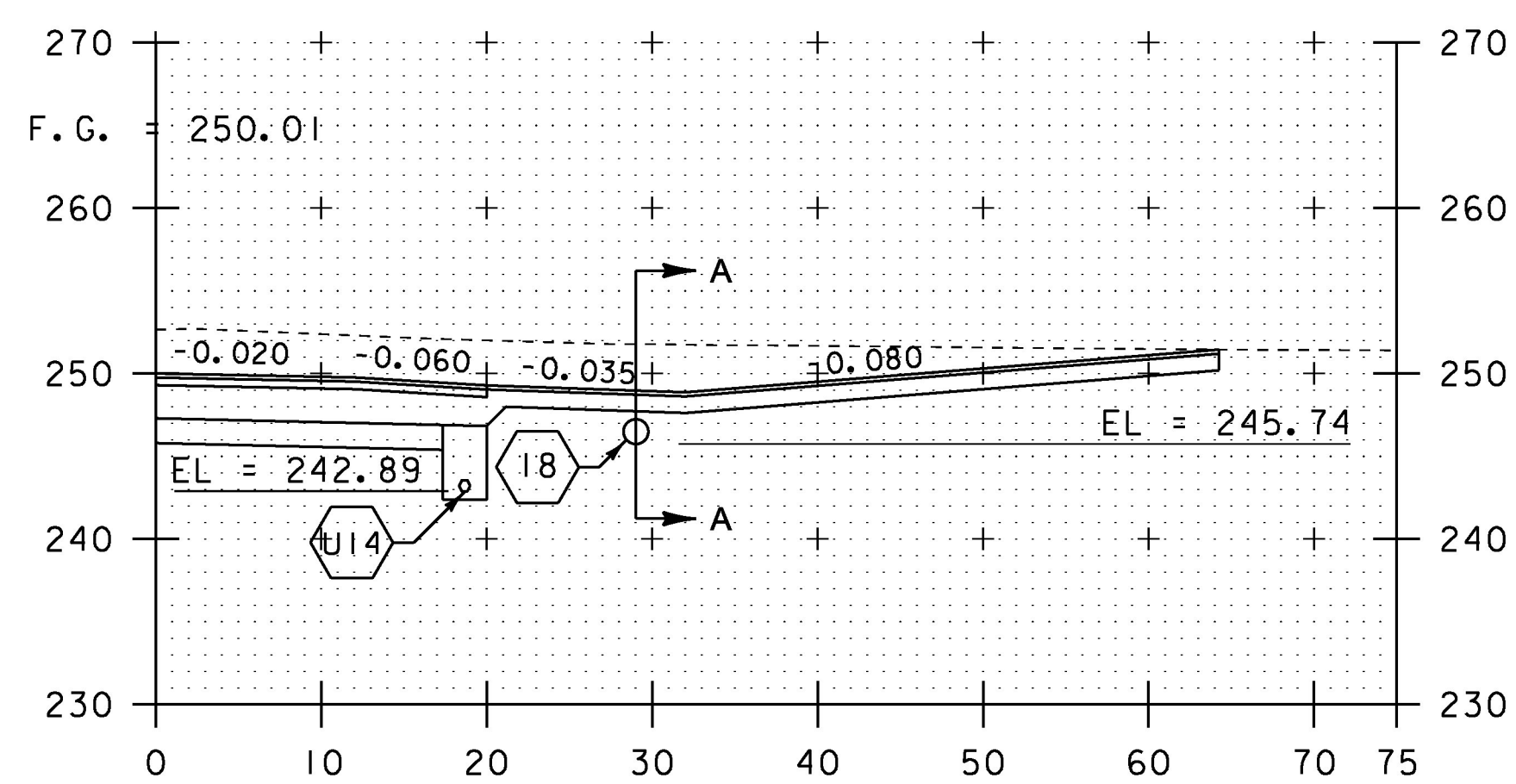
48+50



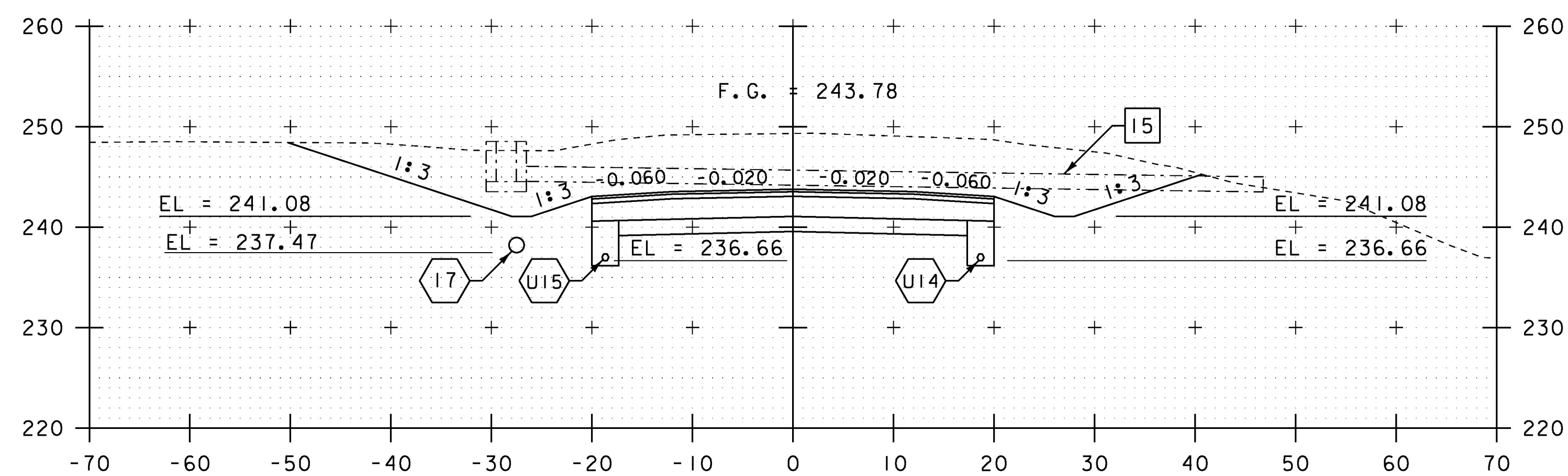
49+17 DRIVE RT SECTION A-A



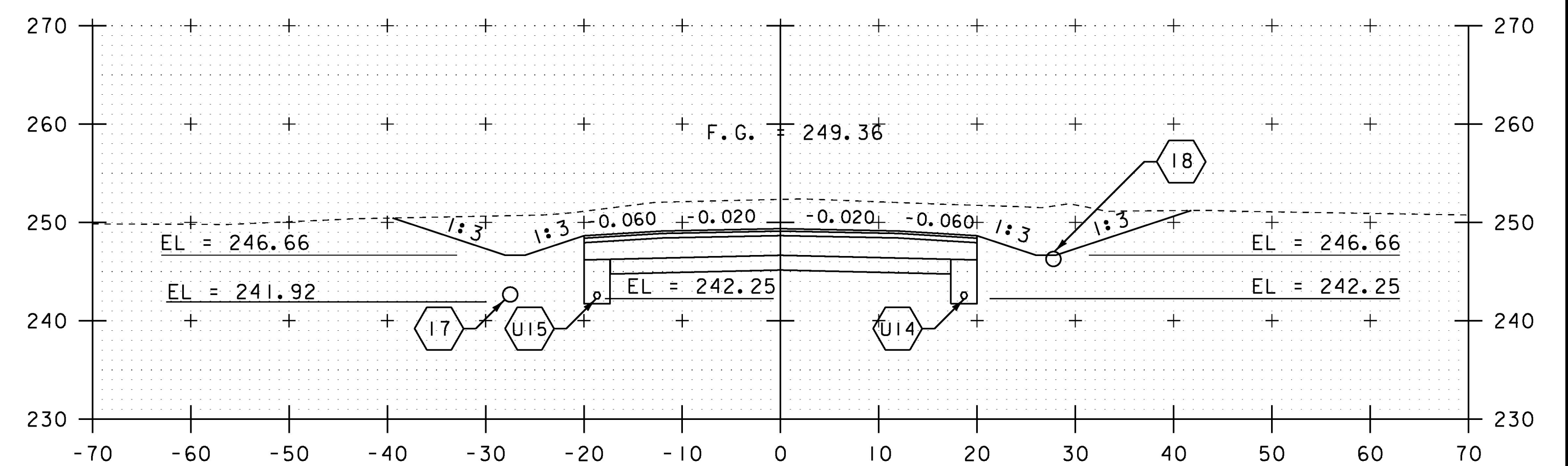
48+00



49+17 DRIVE RT



47+76



49+00

SCALE IN FEET

STA. 47+76 TO STA. 49+17

PROJECT NAME:	CHARLOTTE	PLOT DATE:	15-MAR-2016
PROJECT NUMBER:	F EGC 019-4(20)	DRAWN BY:	B. KIPP
FILE NAME:	d78d062_xs.dgn	CHECKED BY:	C. LEACH
PROJECT LEADER:	K. UPMAL	SHEET	301 OF 499
DESIGNED BY:	B. KIPP	MAINLINE CROSS SECTIONS	24