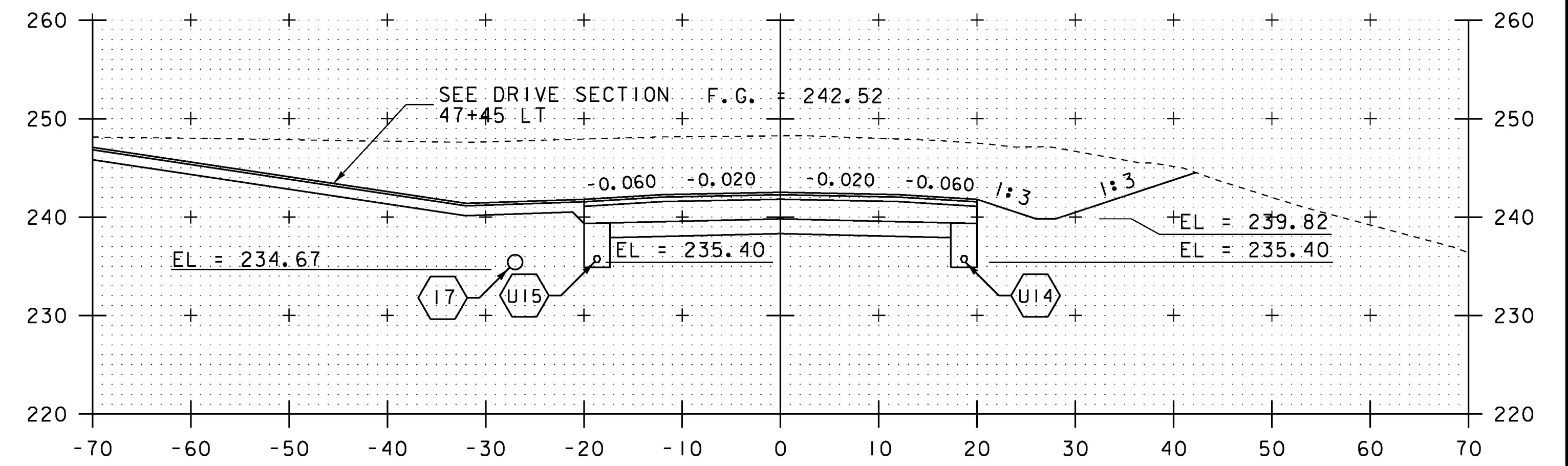
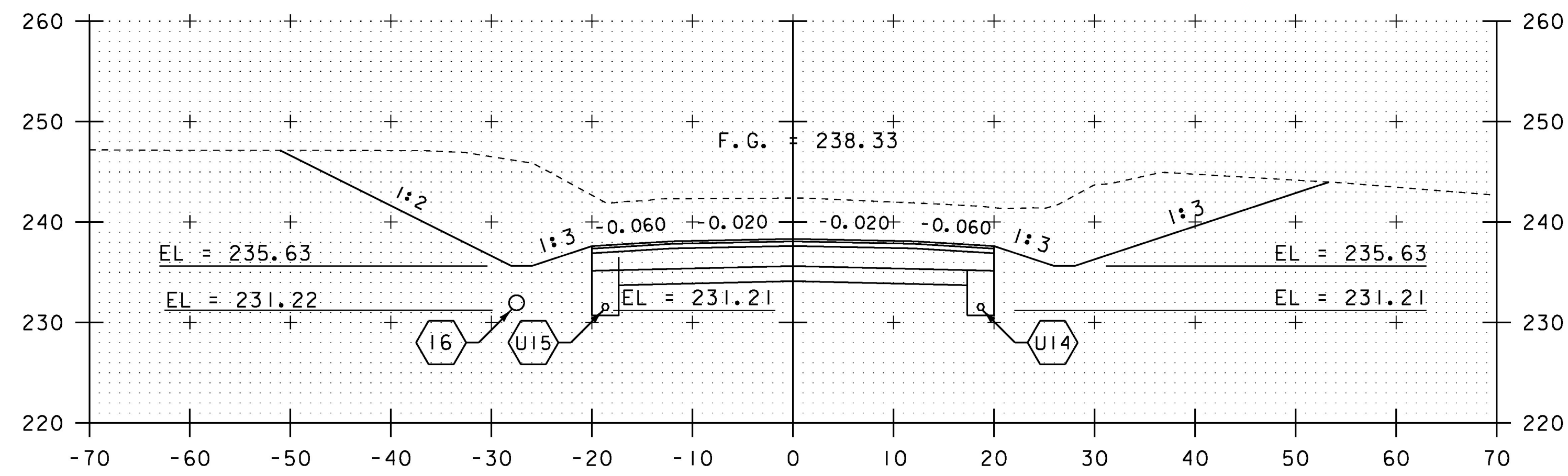


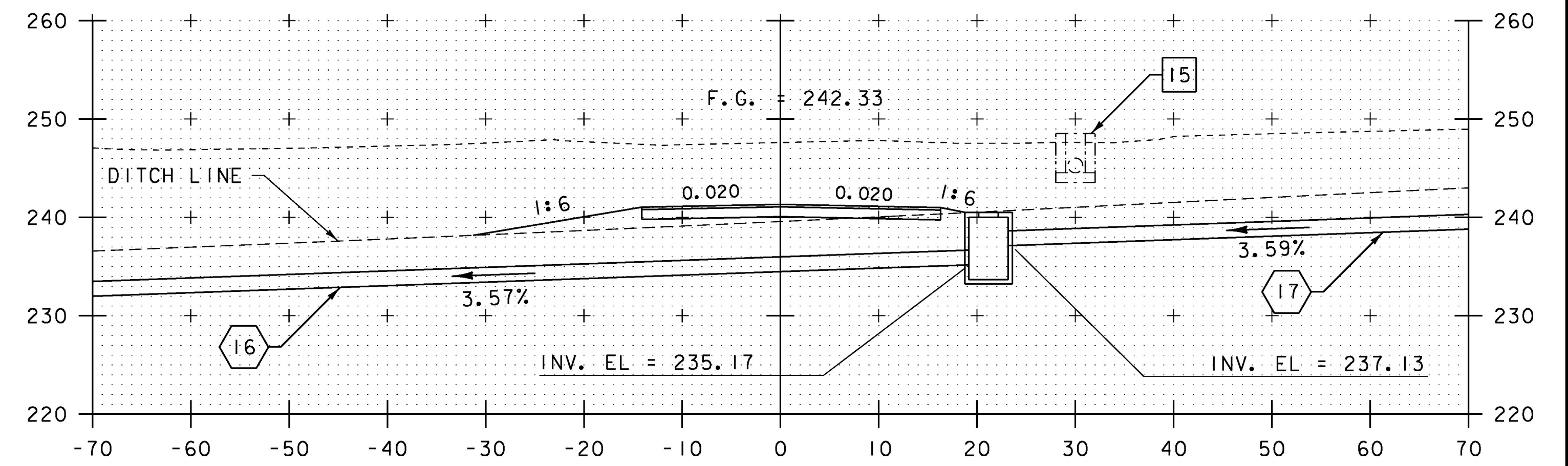
47+00



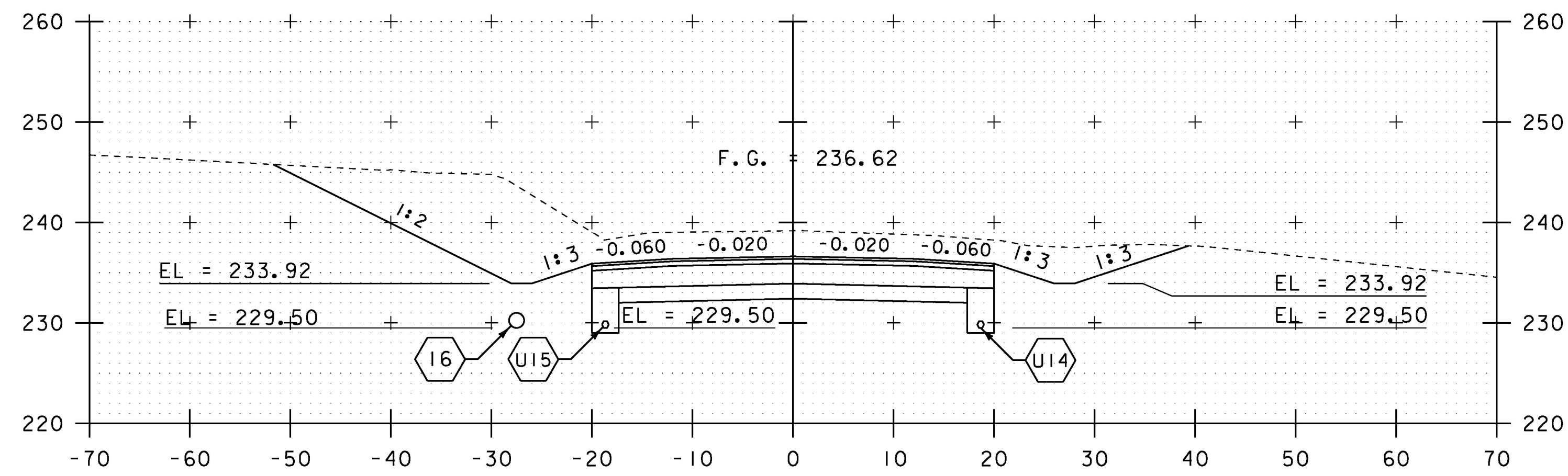
47+50



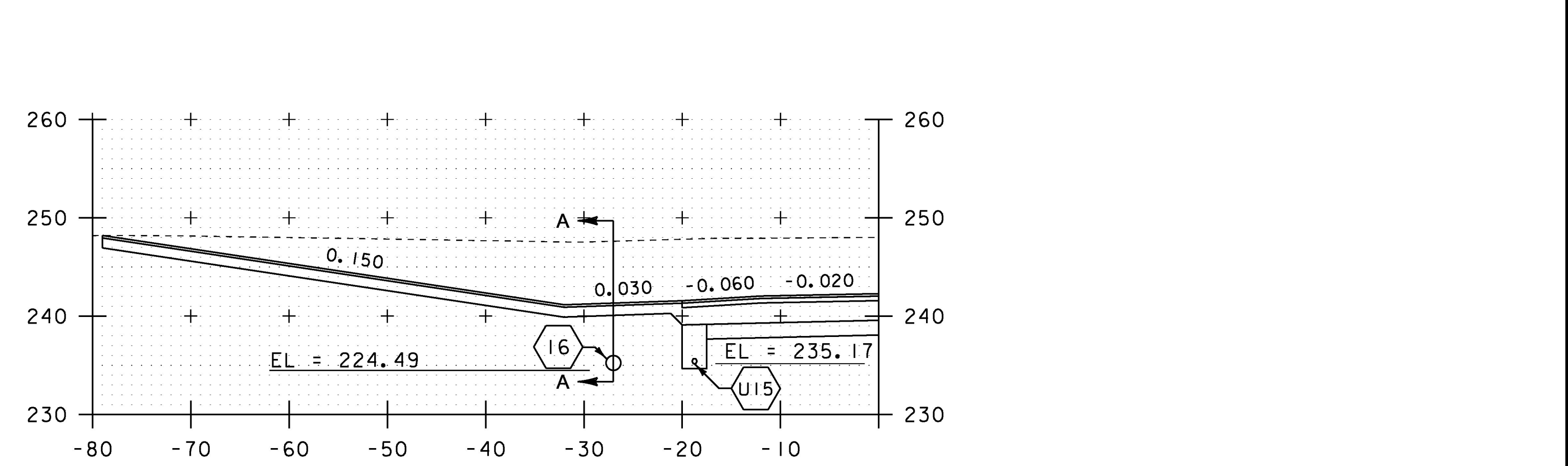
46+50



47+45 LT DRIVE SECTION A-A



46+00



47+45 DRIVE LT

SCALE IN FEET

STA. 46+00 TO STA. 47+50

PROJECT NAME:	CHARLOTTE	PLOT DATE:	15-MAR-2016
PROJECT NUMBER:	F EGC 019-4(20)	DRAWN BY:	B. KIPP
FILE NAME:	d78d062_xs.dgn	CHECKED BY:	C. LEACH
PROJECT LEADER:	K. UPMAL	DESIGNED BY:	B. KIPP
DESIGNED BY:	B. KIPP	MAINLINE CROSS SECTIONS 23	SHEET 300 OF 499