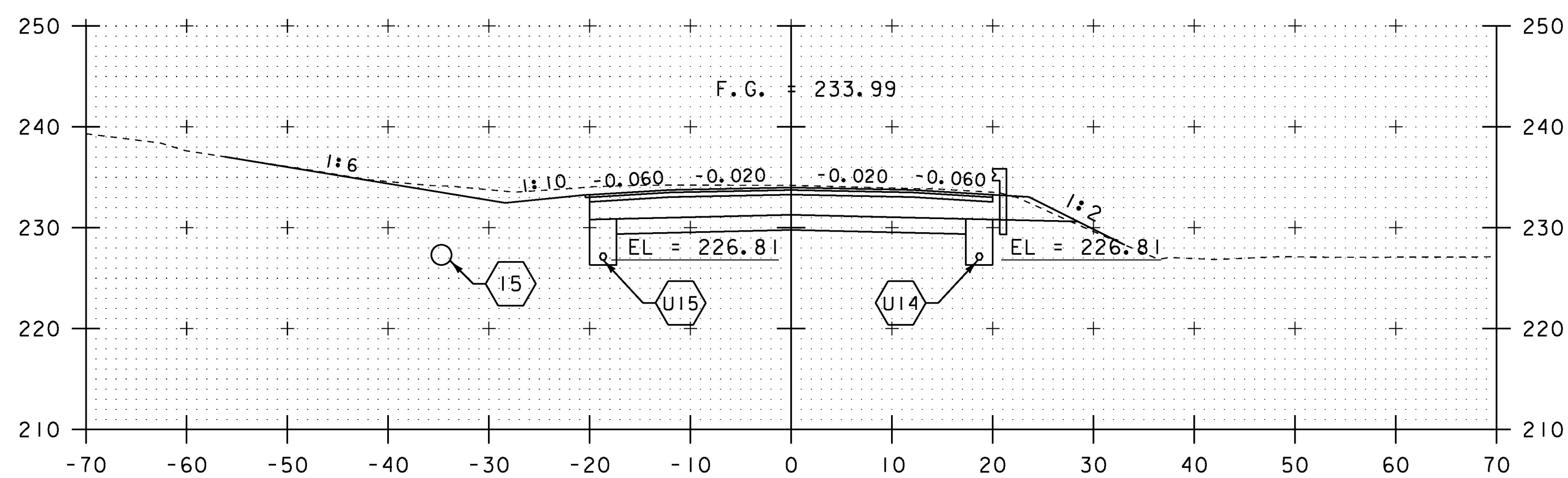
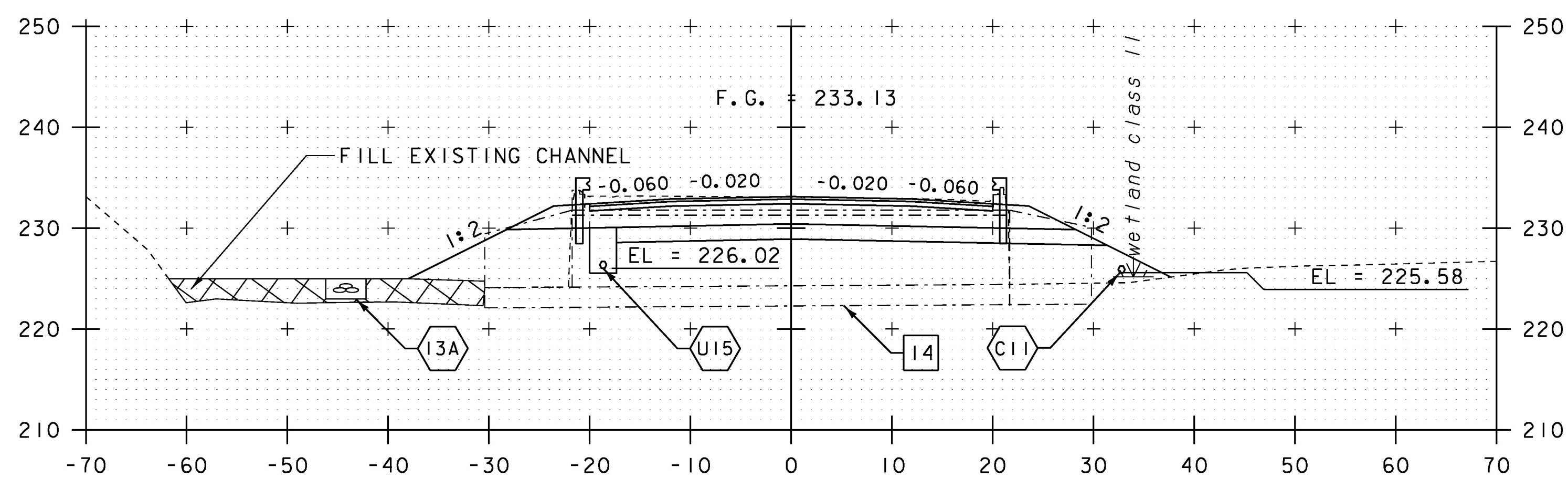


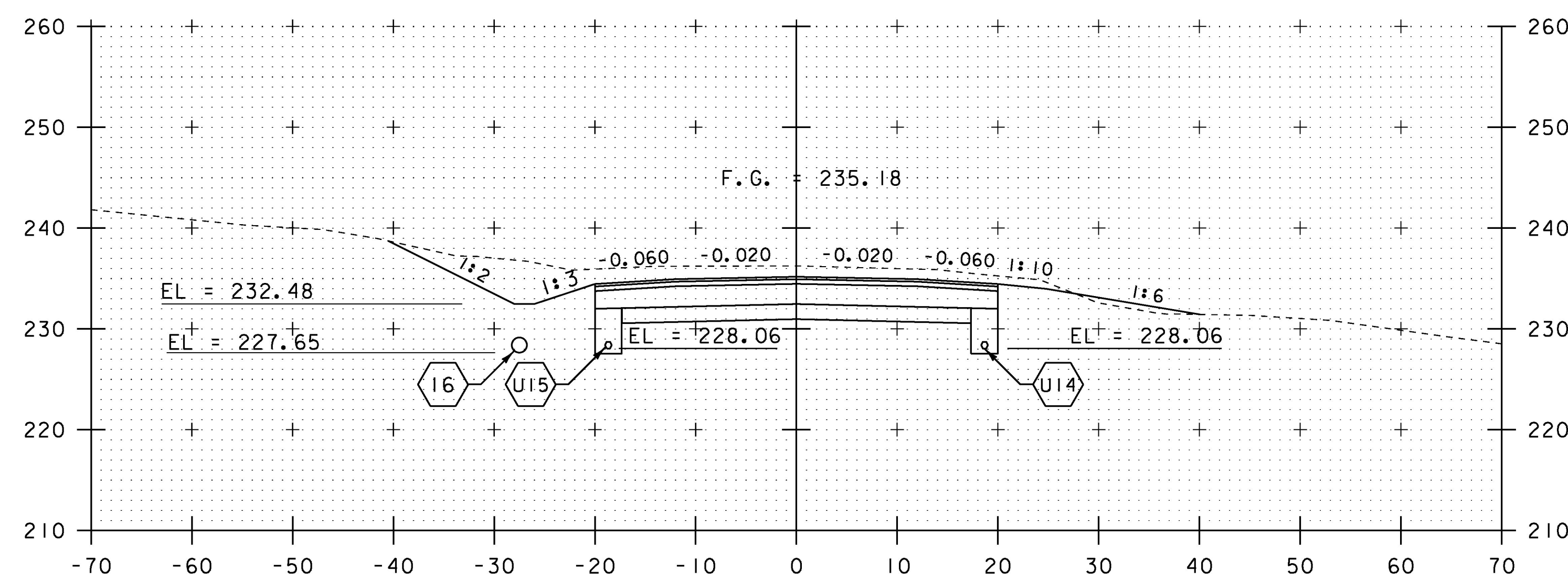
45+20 DRIVE LT



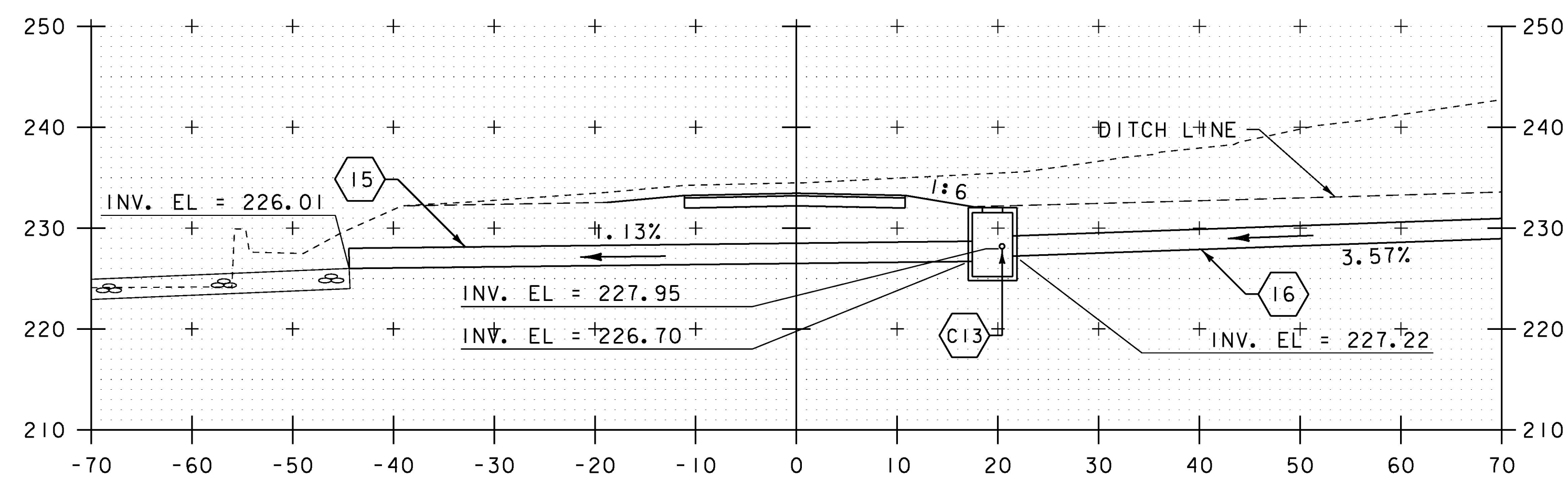
45+00



44+54



45+50



45+20 DRIVE LT
SECTION A-A

SCALE IN FEET

STA. 44+54 TO STA. 44+50

PROJECT NAME:	CHARLOTTE	FILE NAME:	d78d062_xs.dgn	PLOT DATE:	15-MAR-2016
PROJECT NUMBER:	F EGC 019-4(20)	PROJECT LEADER:	K. UPMAL	DRAWN BY:	B. KIPP
		DESIGNED BY:	B. KIPP	CHECKED BY:	C. LEACH
		MAINLINE CROSS SECTIONS 22		SHEET	299 OF 499