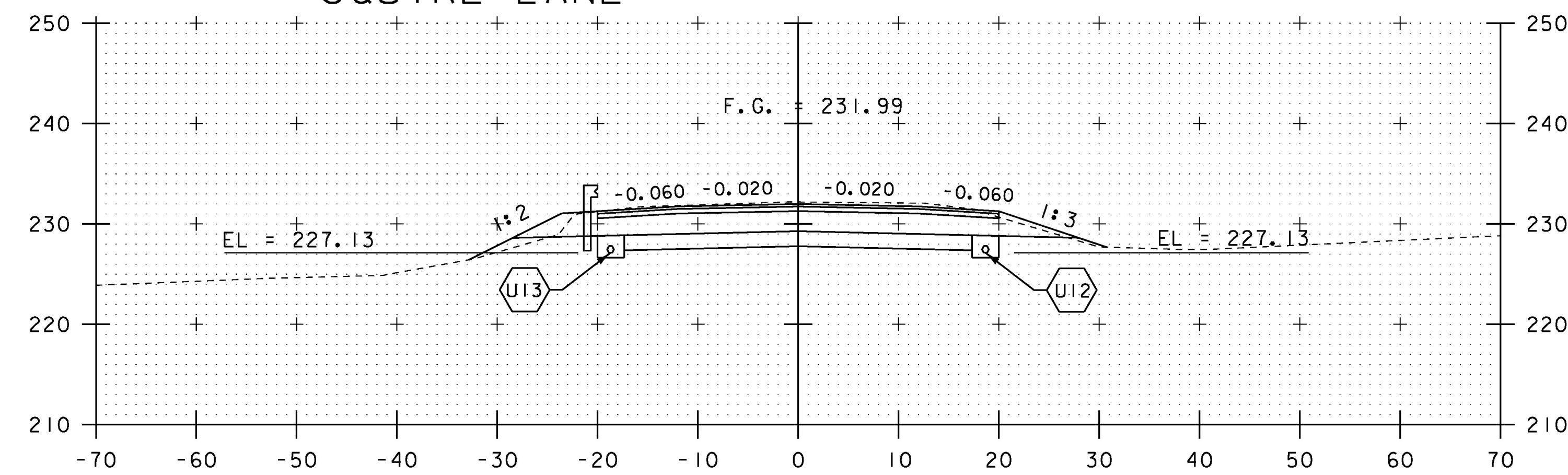
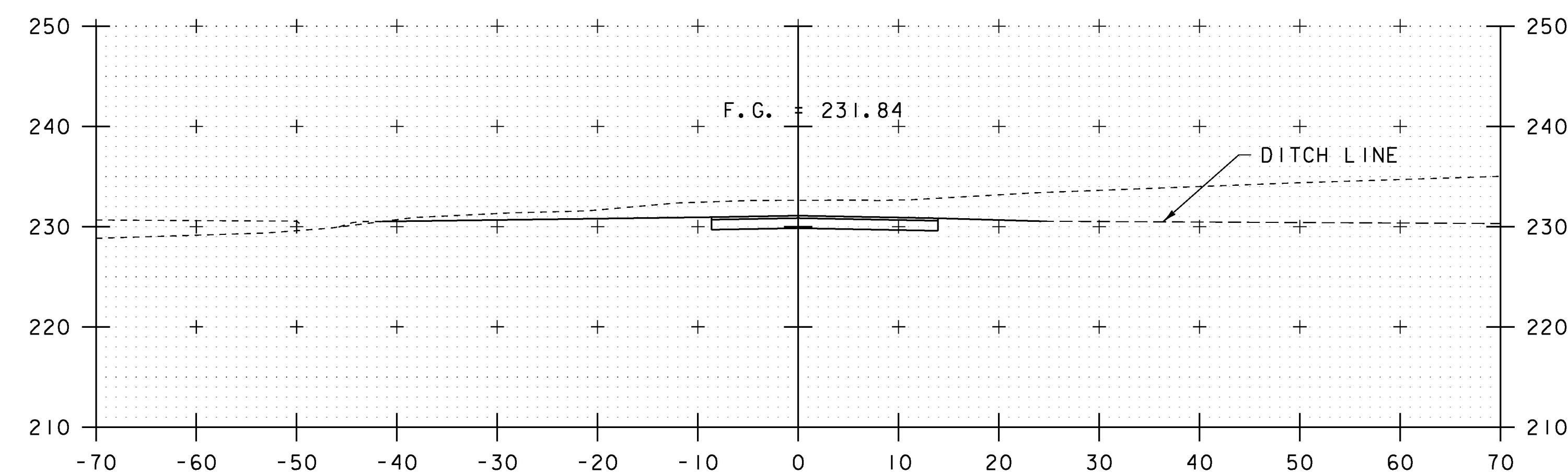


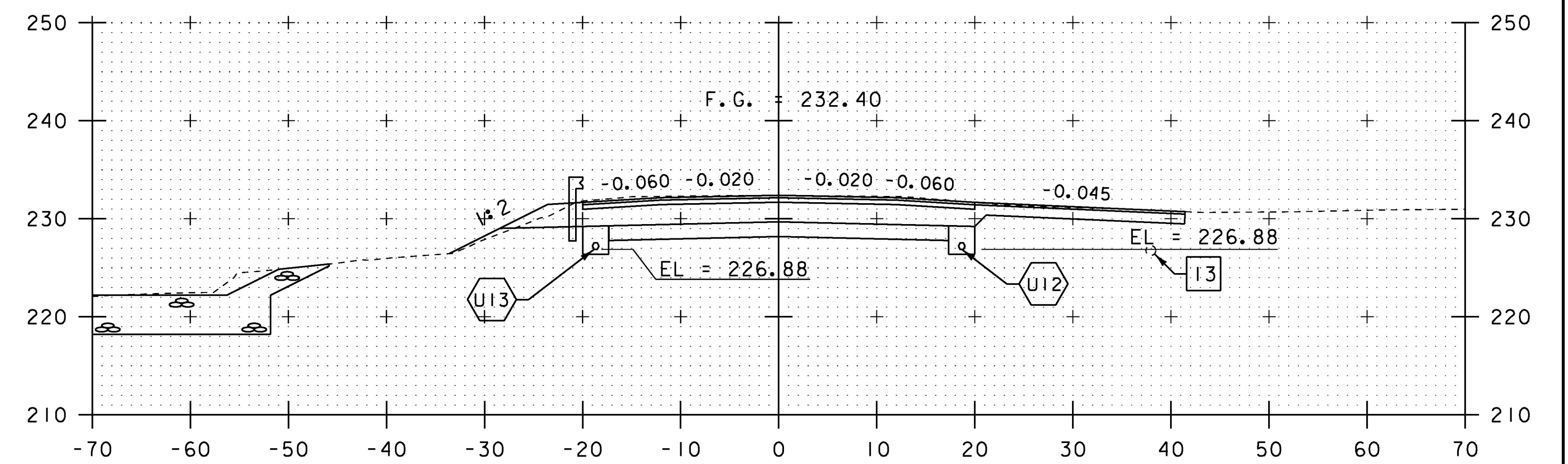
43+93 DRIVE RT  
SQUIRE LANE



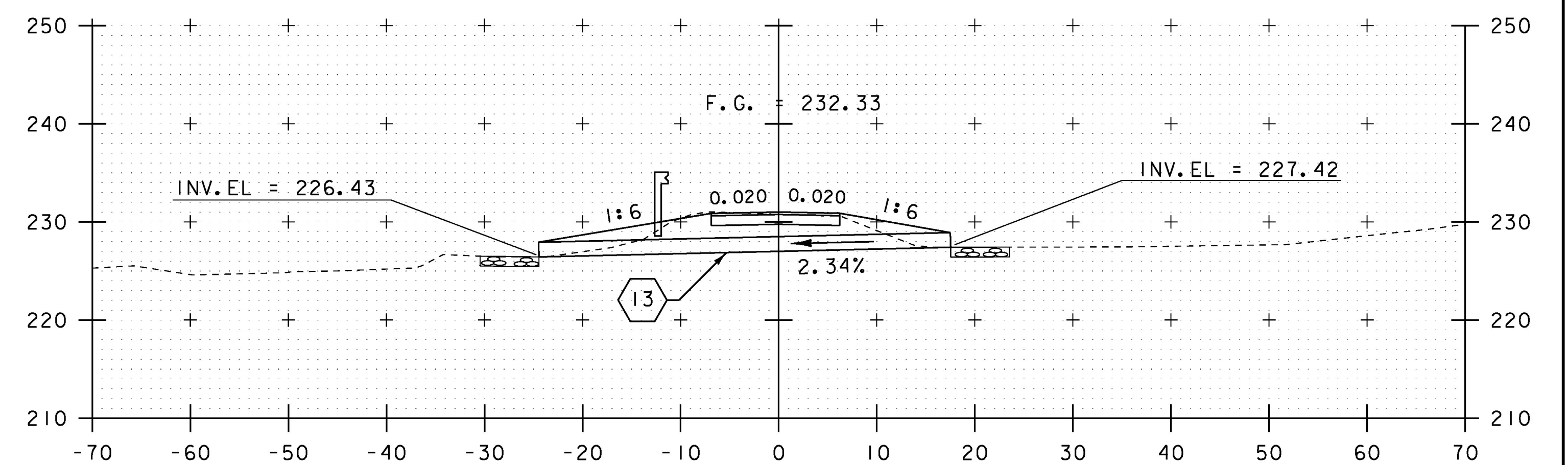
43+50



43+04 DRIVE RT  
SECTION A-A



44+00



43+93 DRIVE RT SECTION A-A  
SQUIRE LANE

SCALE IN FEET

STA. 43+04 TO STA. 44+00

PROJECT NAME:	CHARLOTTE
PROJECT NUMBER:	F EGC 019-4(20)
FILE NAME:	d78d062_xs.dgn
PROJECT LEADER:	K. UPMAL
DESIGNED BY:	B. KIPP
MAINLINE CROSS SECTIONS	20
PLOT DATE:	15-MAR-2016
DRAWN BY:	B. KIPP
CHECKED BY:	C. LEACH
SHEET	297 OF 499