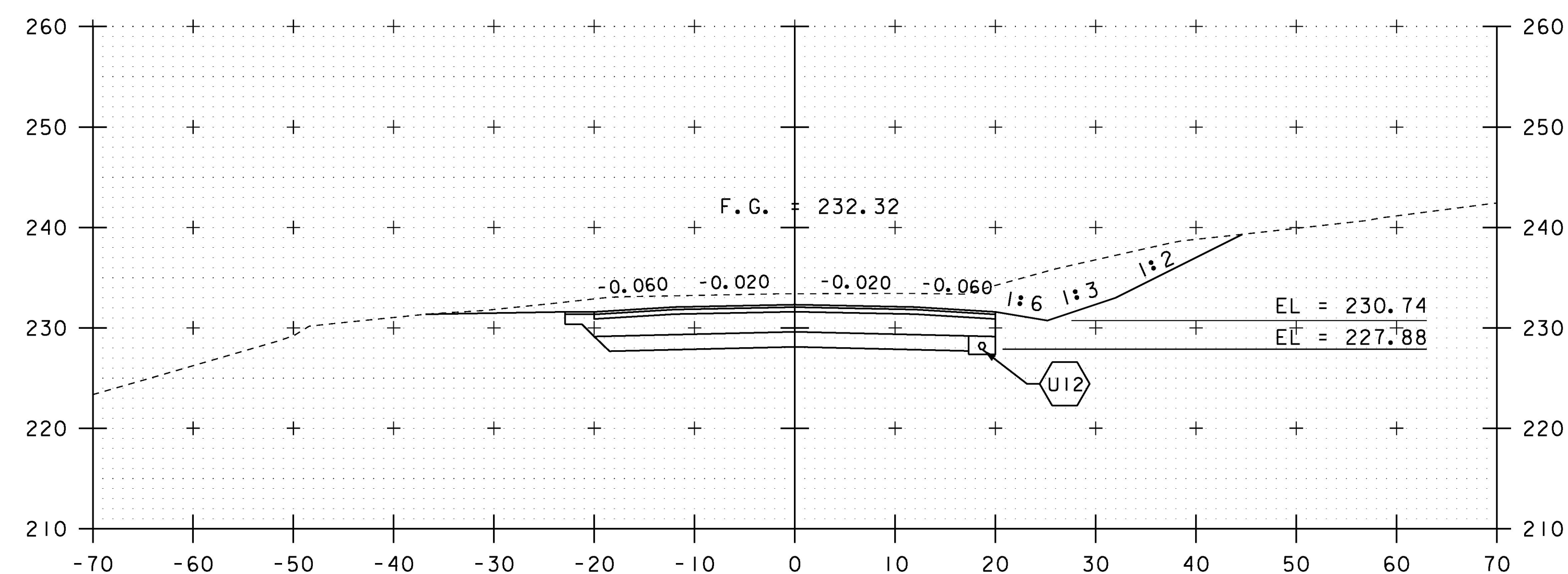
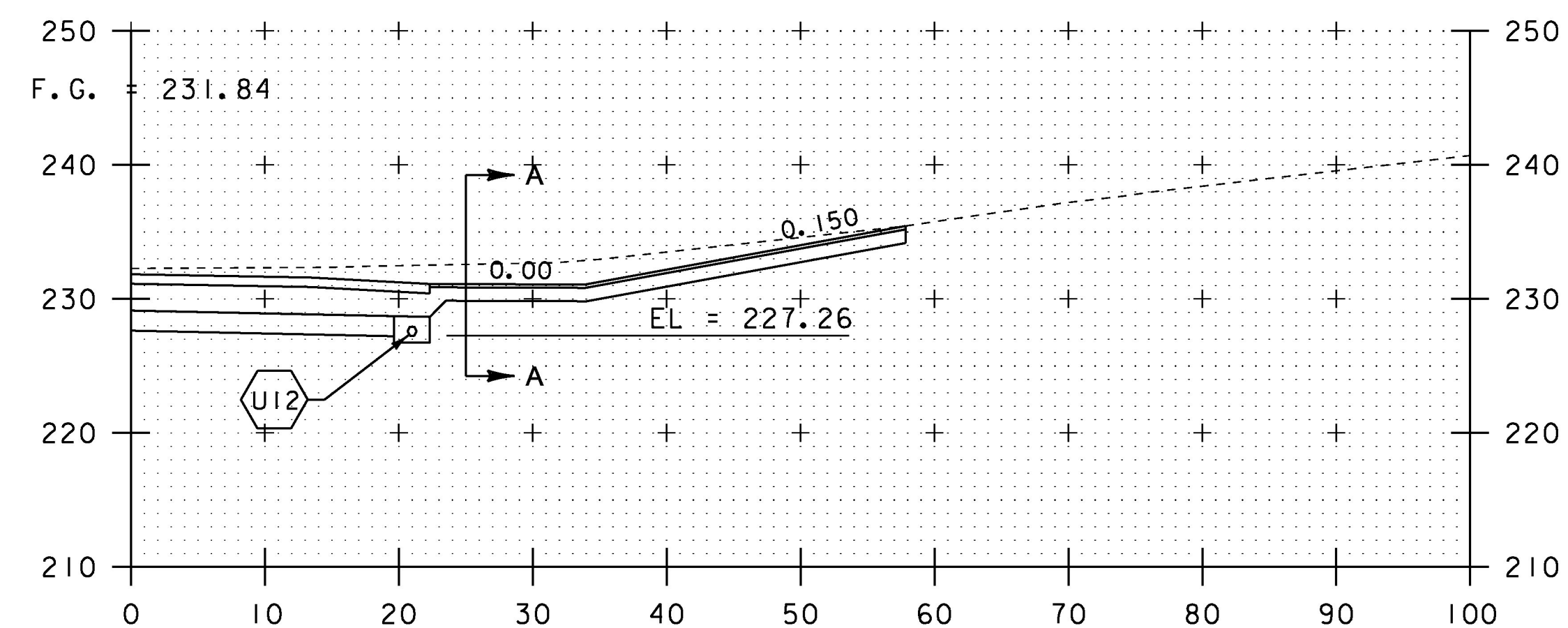


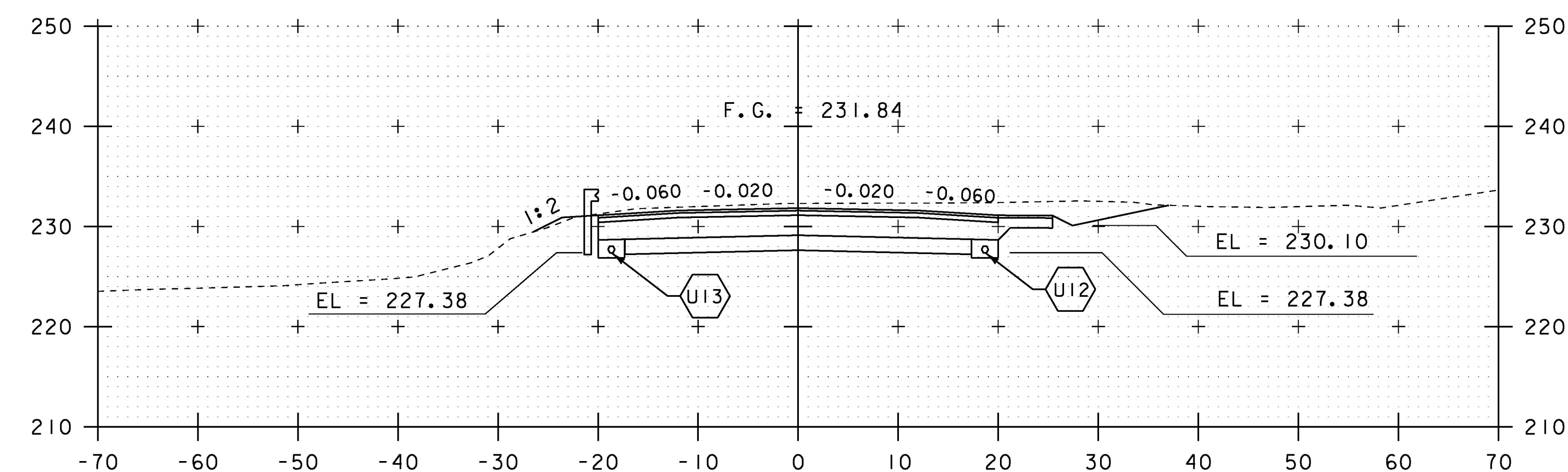
42+50



42+00



43+04 DRIVE RT  
SKEWED 26° 21' 25.56" LT



43+00

SCALE IN FEET

STA. 42+00 TO STA. 43+04

PROJECT NAME:	CHARLOTTE	PLOT DATE:	15-MAR-2016
PROJECT NUMBER:	F EGC 019-4(20)	DRAWN BY:	B. KIPP
FILE NAME:	d78d062_xs.dgn	CHECKED BY:	C. LEACH
PROJECT LEADER:	K. UPMAL	SHEET	296 OF 499
DESIGNED BY:	B. KIPP	MAINLINE CROSS SECTIONS	19