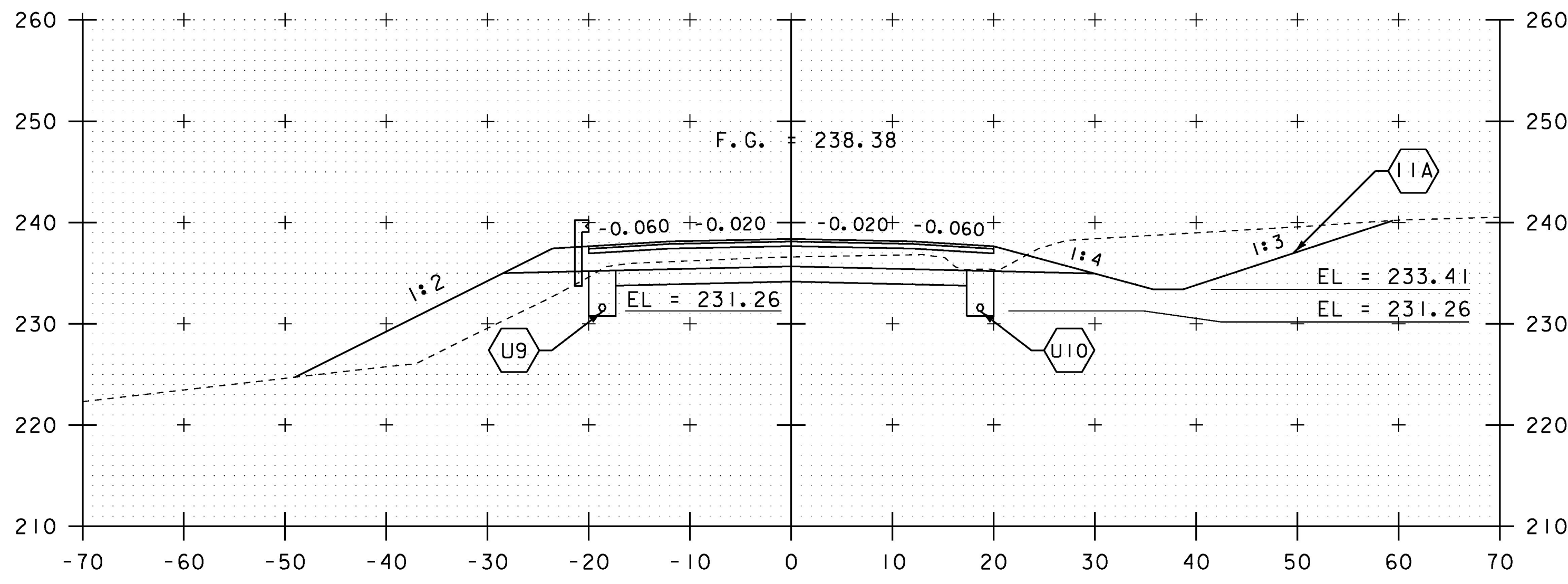
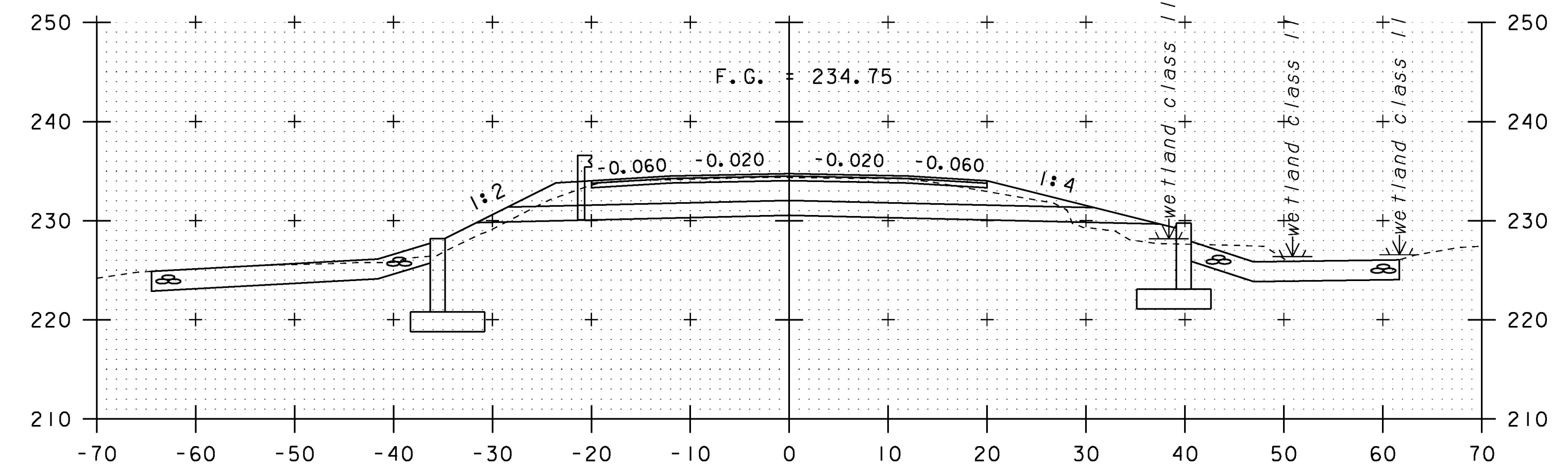


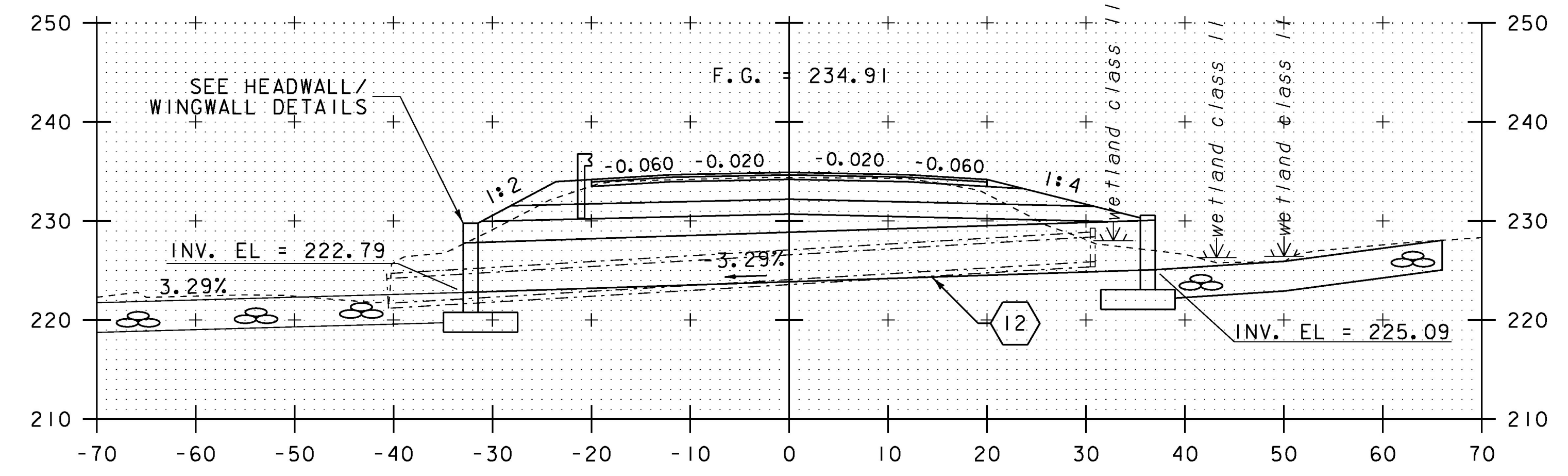
39+50



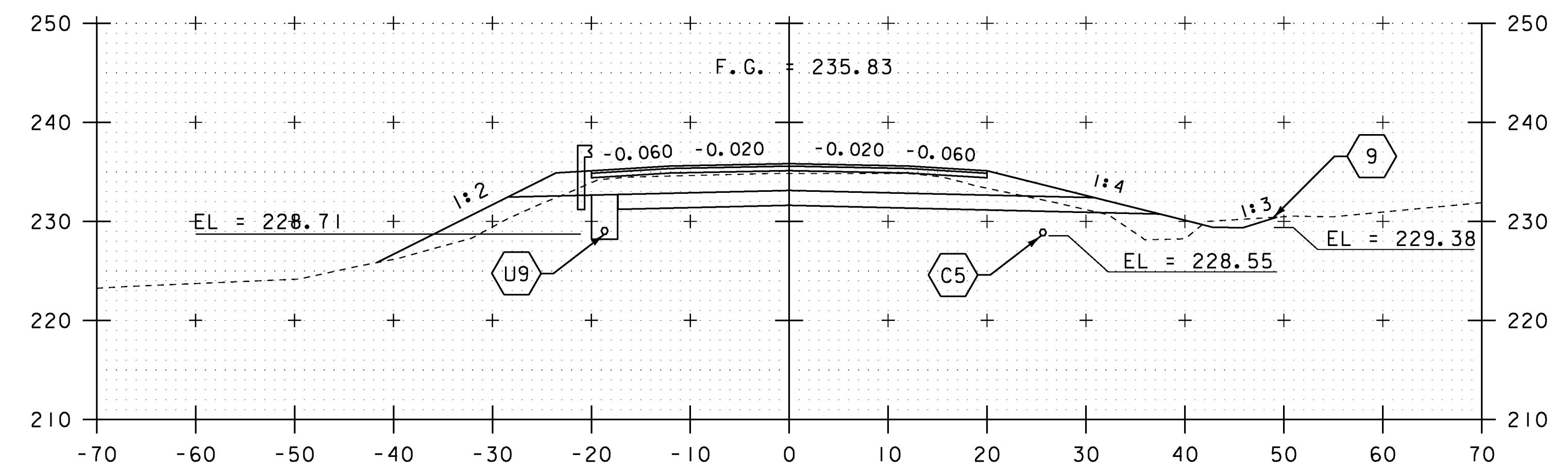
39+00



40+50



40+42  
NEW 60" CPEP



40+00

SCALE IN FEET

STA. 39+00 TO STA. 40+50

PROJECT NAME: CHARLOTTE	
PROJECT NUMBER: F EGC 019-4(20)	
FILE NAME: d78d062_xs.dgn	PLOT DATE: 15-MAR-2016
PROJECT LEADER: K. UPMAL	DRAWN BY: B. KIPP
DESIGNED BY: B. KIPP	CHECKED BY: C. LEACH
MAINLINE CROSS SECTIONS 17	SHEET 294 OF 499