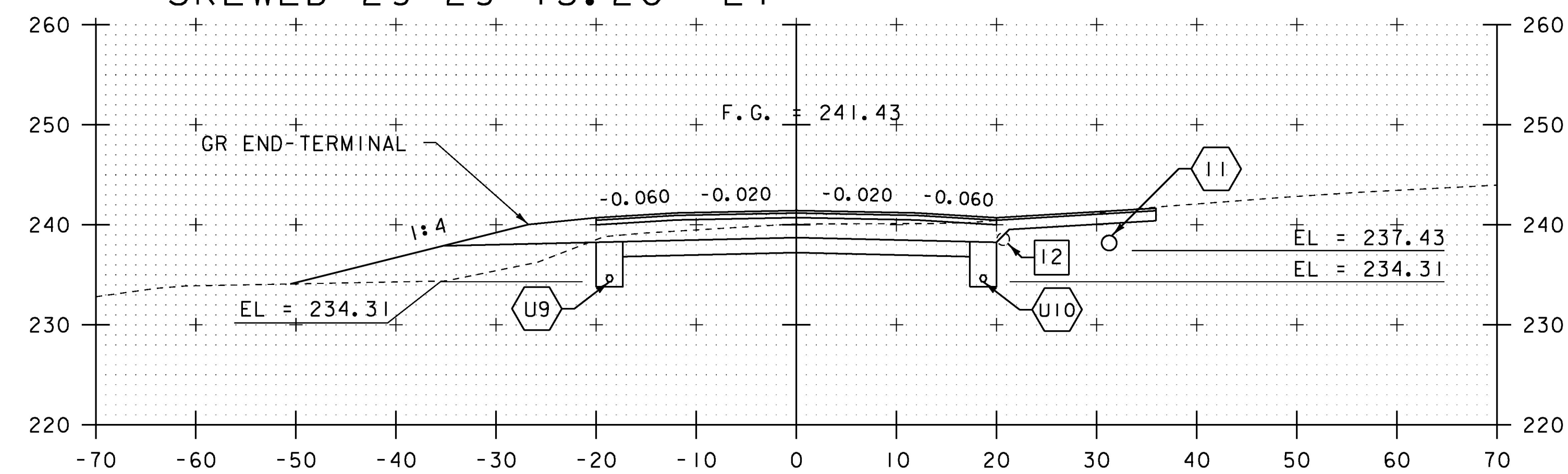
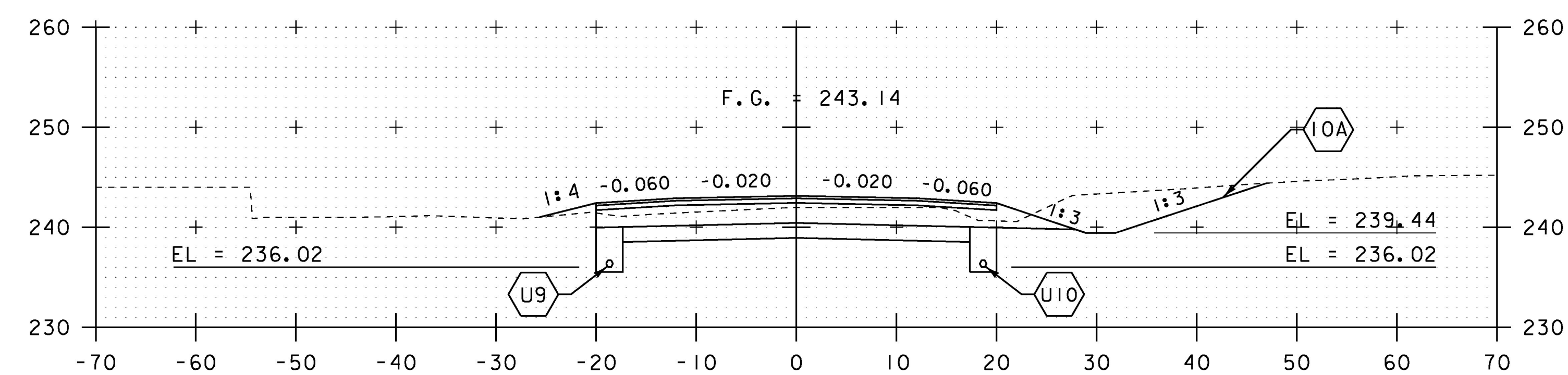


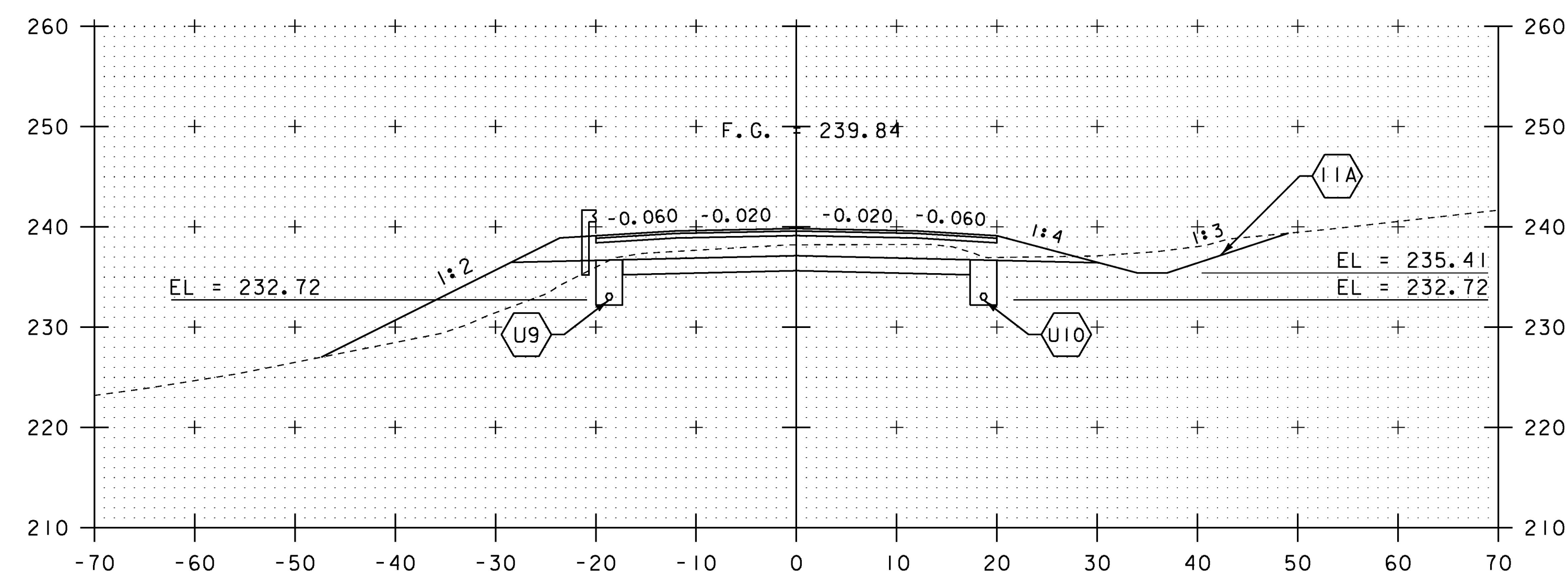
38+10 DRIVE RT
SKEWED 29°29'13.20" LT



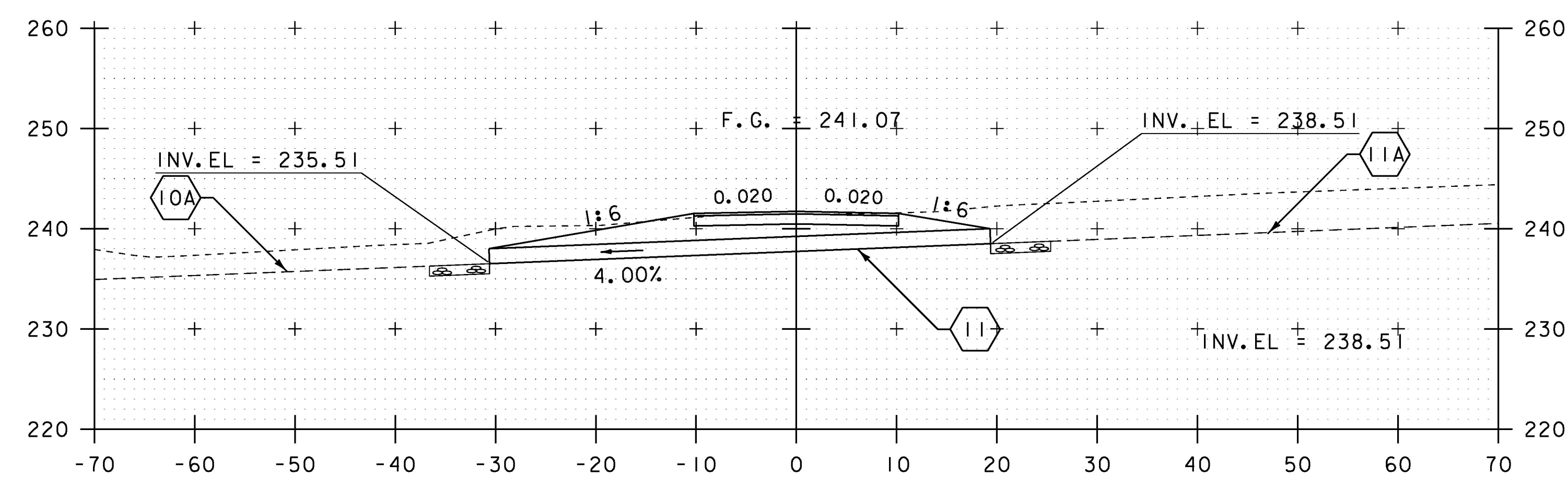
38+00



37+50



38+50



38+10 DRIVE RT SECTION A-A

SCALE IN FEET

STA. 37+50 TO STA. 38+50

PROJECT NAME:	CHARLOTTE
PROJECT NUMBER:	F EGC 019-4(20)
FILE NAME:	d78d062_xs.dgn
PROJECT LEADER:	K. UPMAL
DESIGNED BY:	B. KIPP
MAINLINE CROSS SECTIONS I6	
PLOT DATE:	15-MAR-2016
DRAWN BY:	B. KIPP
CHECKED BY:	C. LEACH
SHEET	293 OF 499