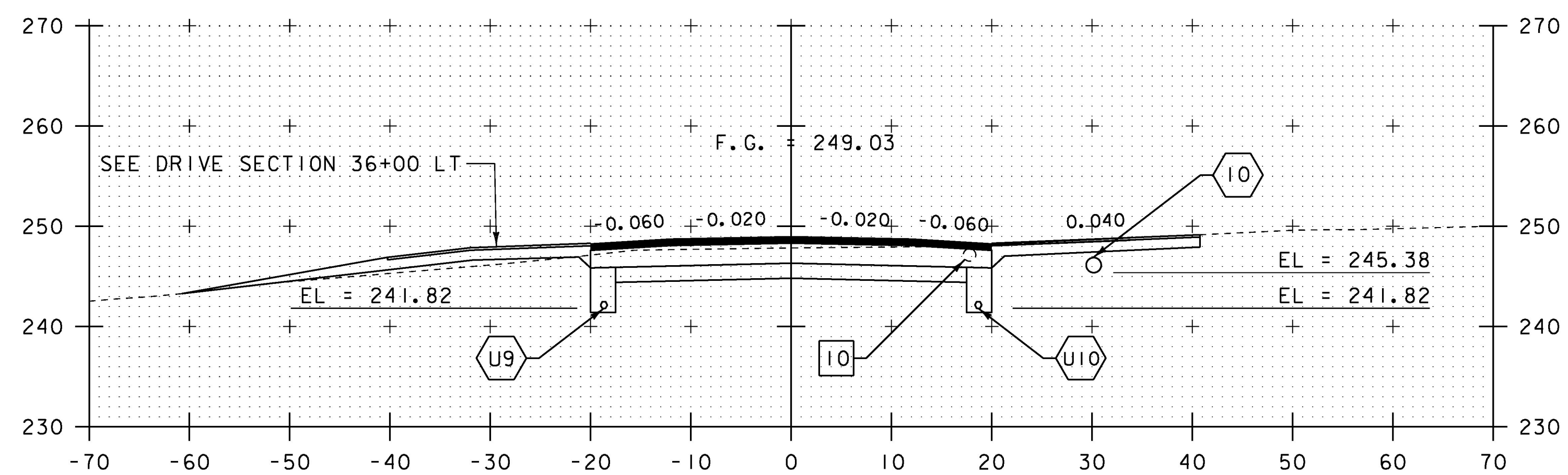
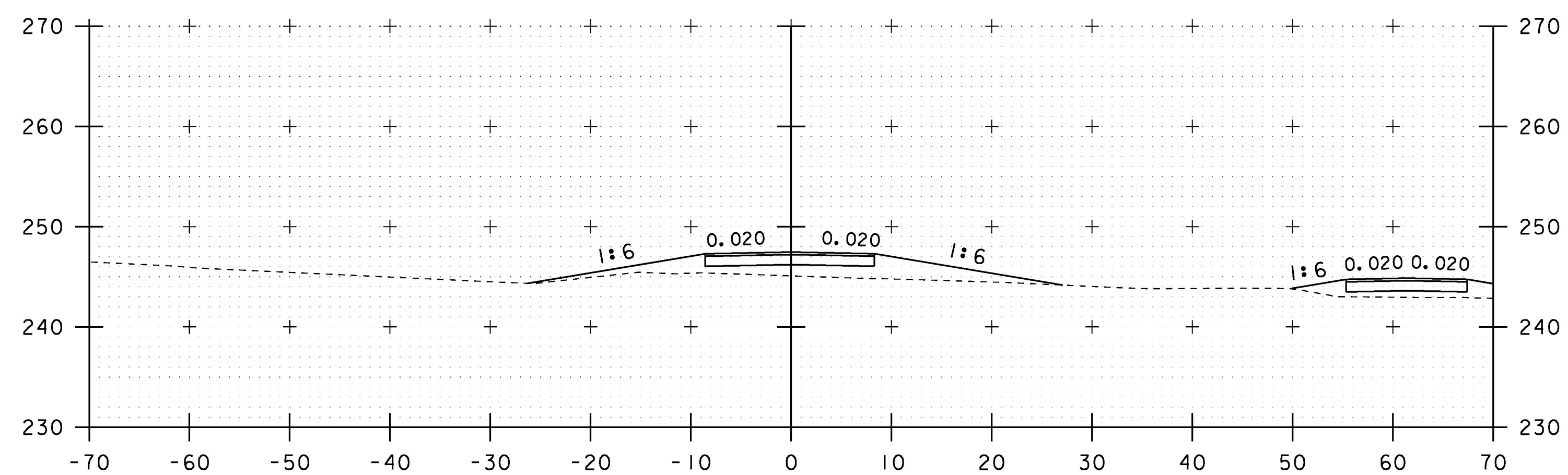


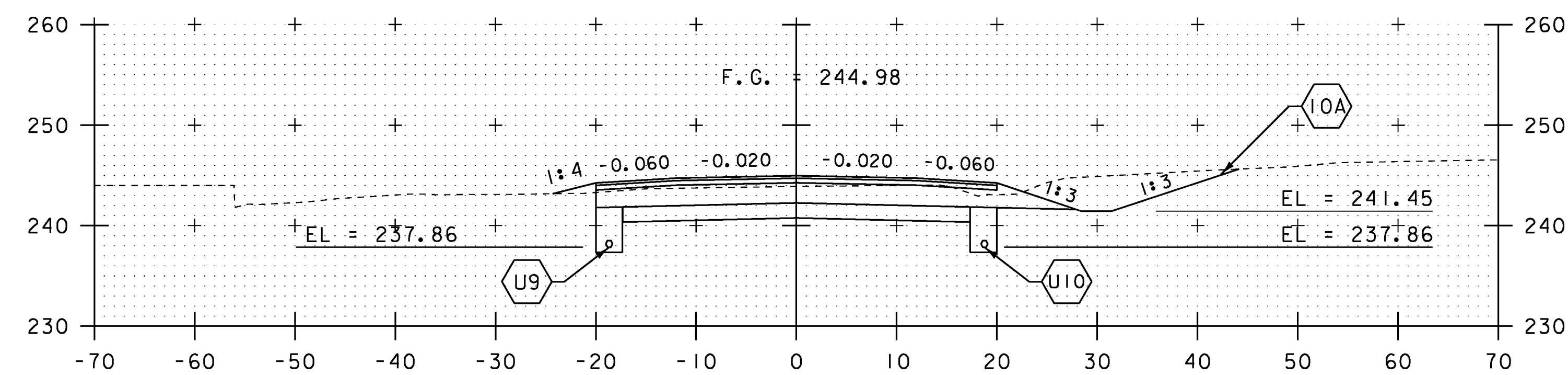
36+50



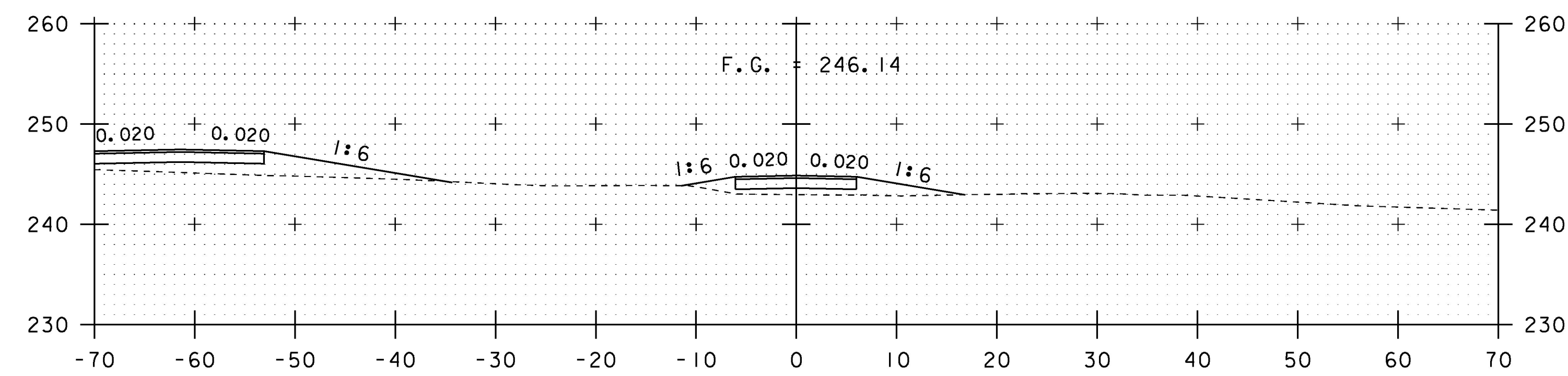
36+00



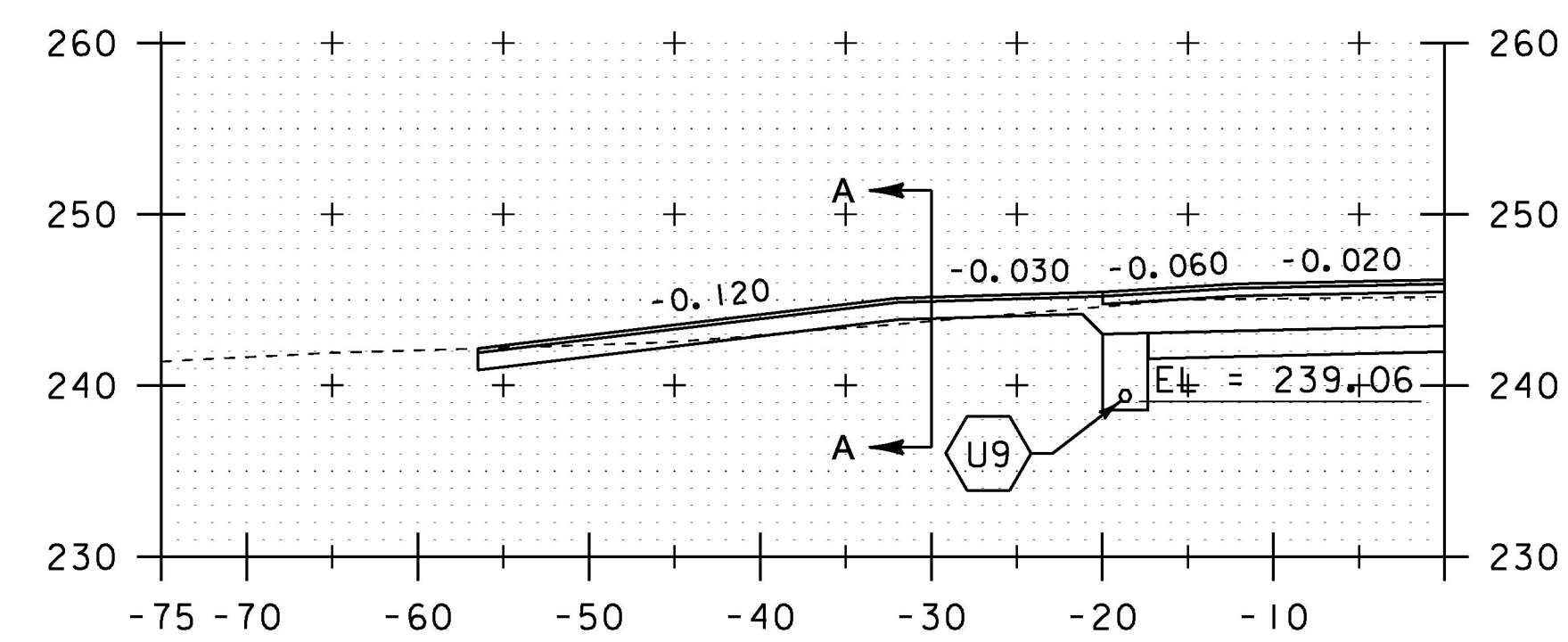
36+00 DRIVE SECTION A-A



37+00



36+70 DRIVE LT SECTION A-A



36+70 DRIVE LT

SCALE IN FEET

STA. 36+00 TO STA. 37+00

PROJECT NAME:	CHARLOTTE	PLOT DATE:	15-MAR-2016
PROJECT NUMBER:	F EGC 019-4(20)	DRAWN BY:	B. KIPP
FILE NAME:	d78d062_xs.dgn	DESIGNED BY:	B. KIPP
PROJECT LEADER:	K. UPMAL	CHECKED BY:	C. LEACH
DESIGNED BY:	B. KIPP	MAINLINE CROSS SECTIONS IS	SHEET 292 OF 499