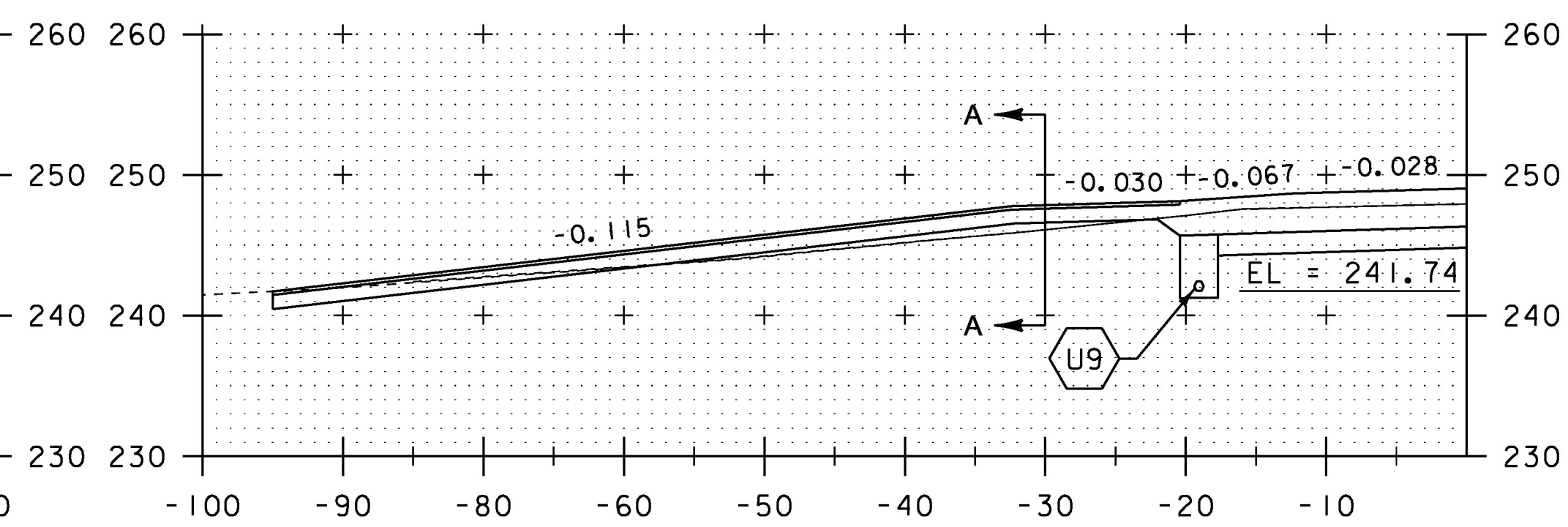
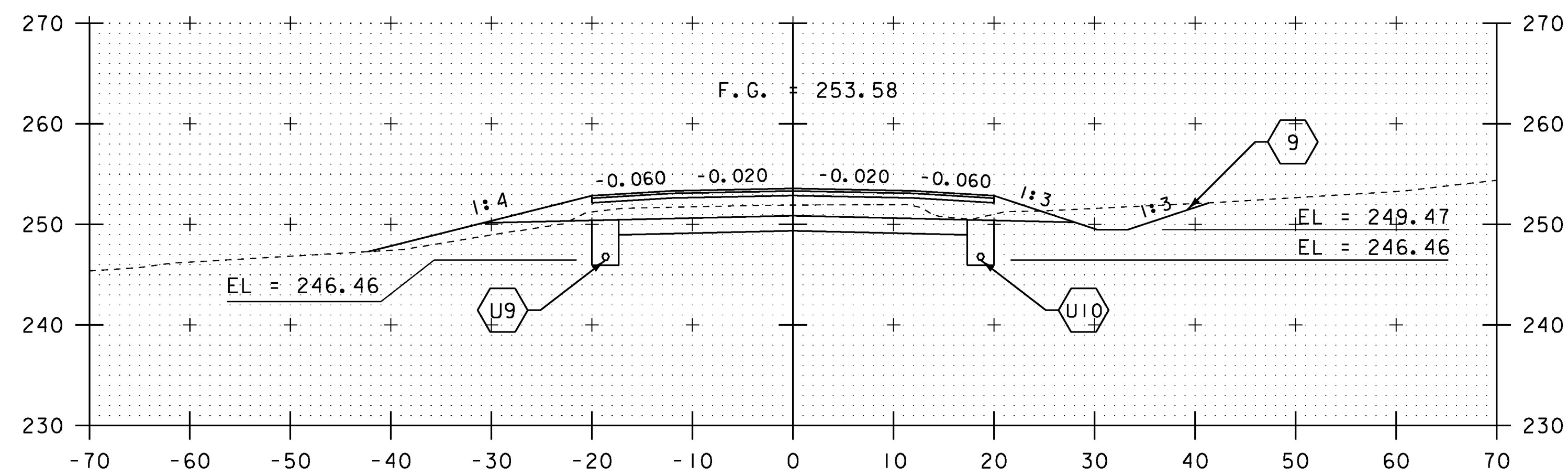


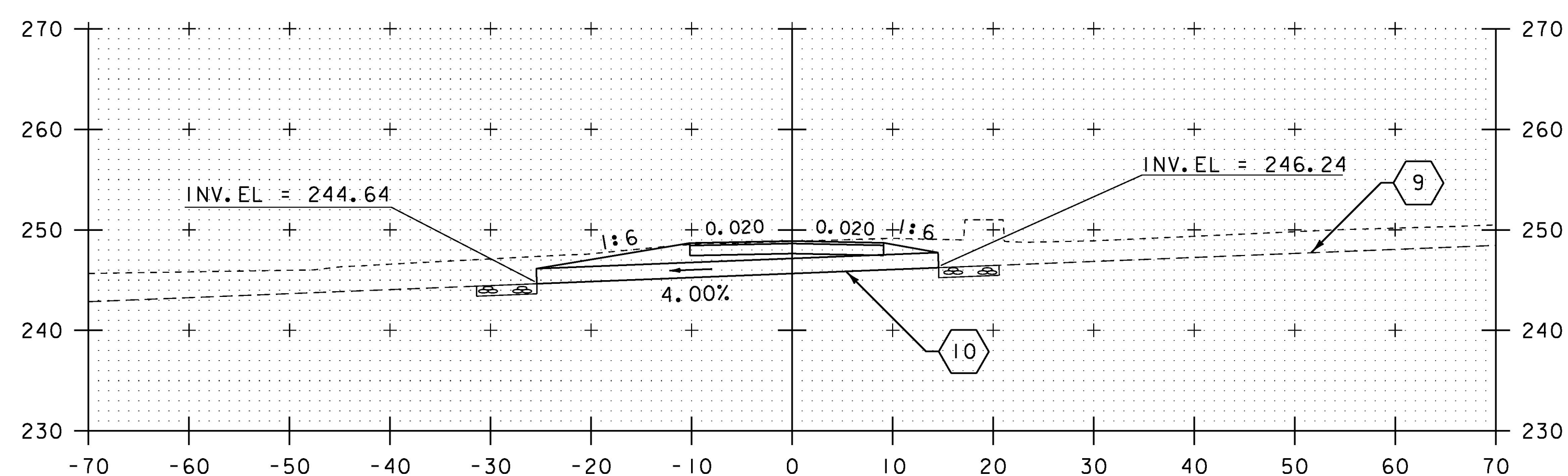
35+50



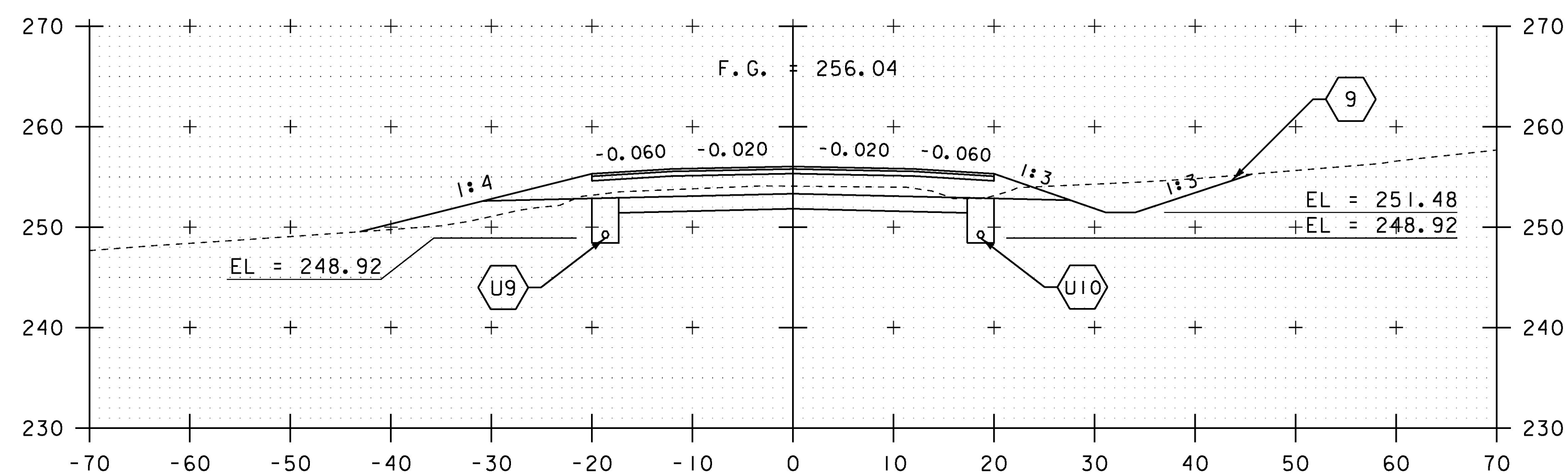
36+00 DRIVE LT  
SKEWED 11° 44' 25.08 LT



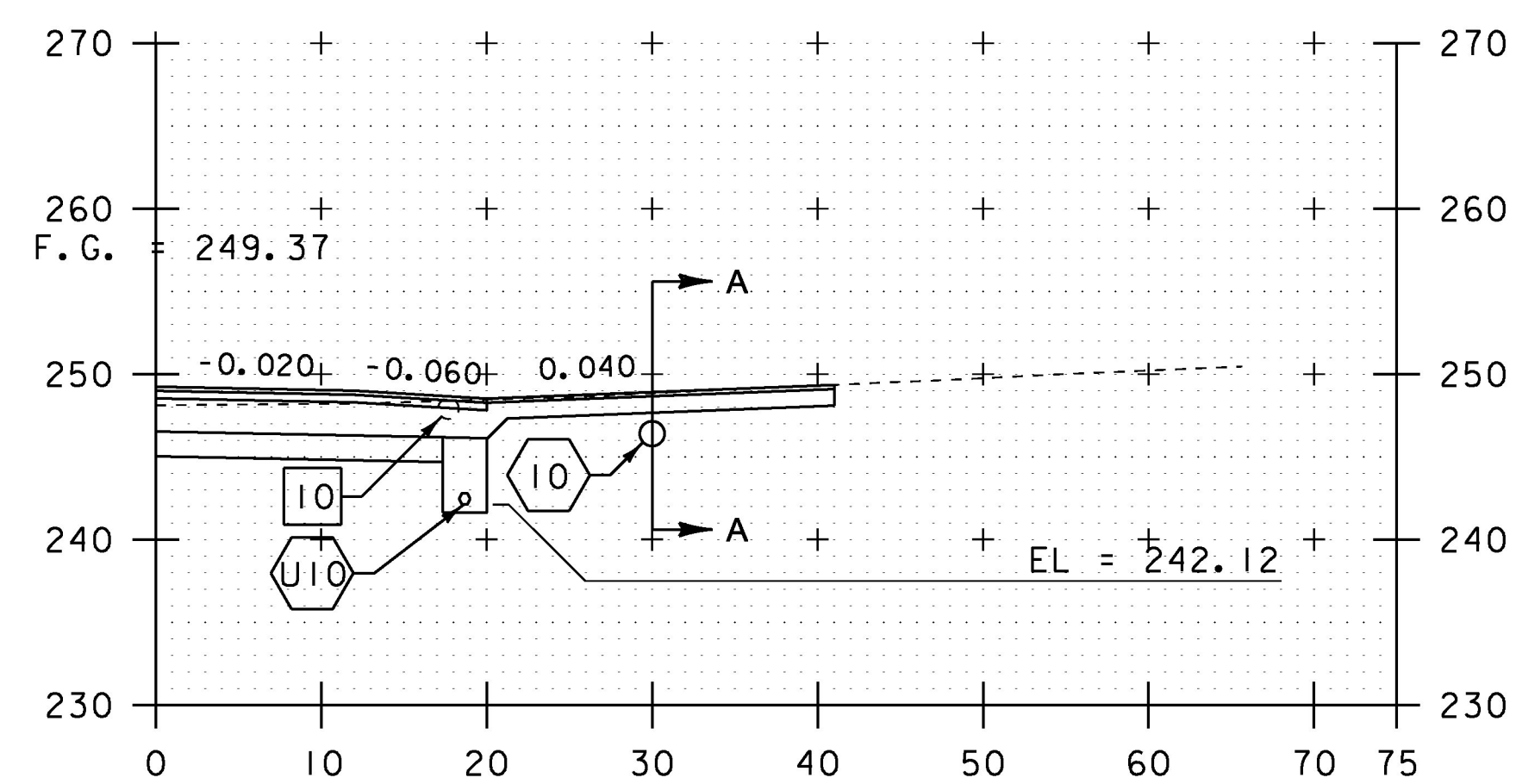
35+00



35+95 DRIVE RT SECTION A-A



34+50



35+95 DRIVE RT

SCALE IN FEET

STA. 34+50 TO STA. 36+00

PROJECT NAME: CHARLOTTE	
PROJECT NUMBER: F EGC 019-4(20)	
FILE NAME: d78d062_xs.dgn	PLOT DATE: 15-MAR-2016
PROJECT LEADER: K. UPMAL	DRAWN BY: B. KIPP
DESIGNED BY: B. KIPP	CHECKED BY: C. LEACH
MAINLINE CROSS SECTIONS 14	SHEET 291 OF 499