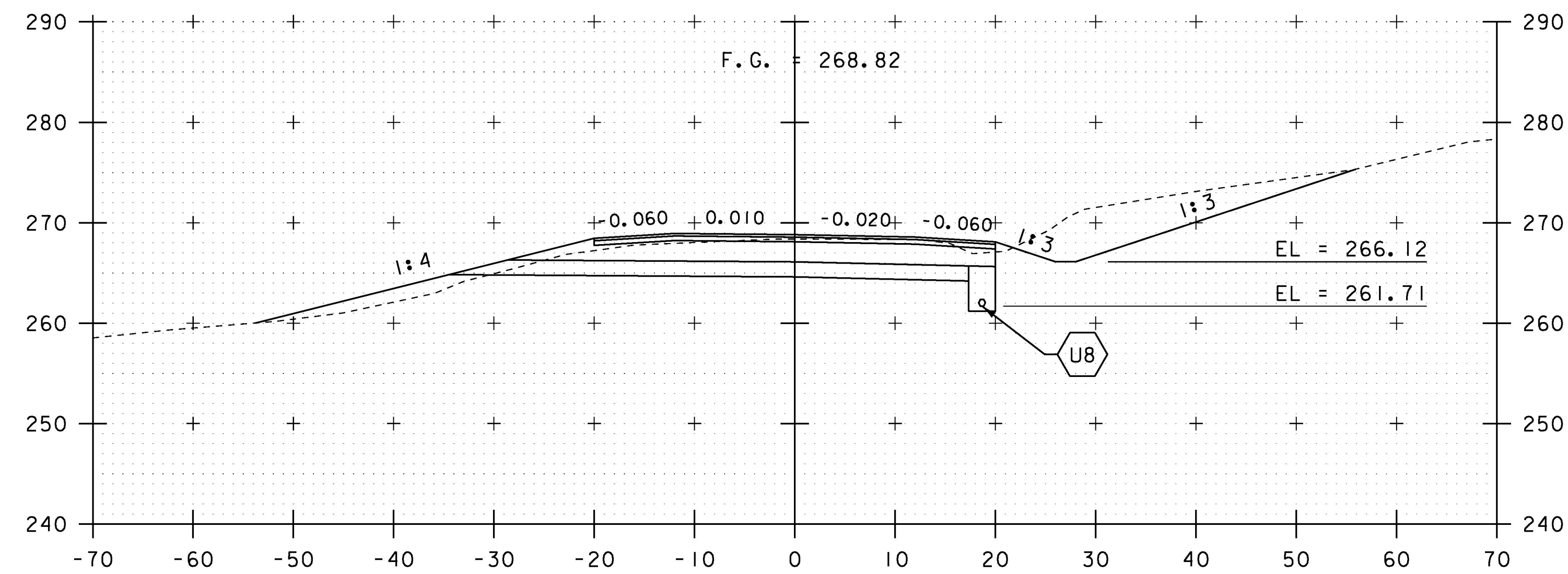
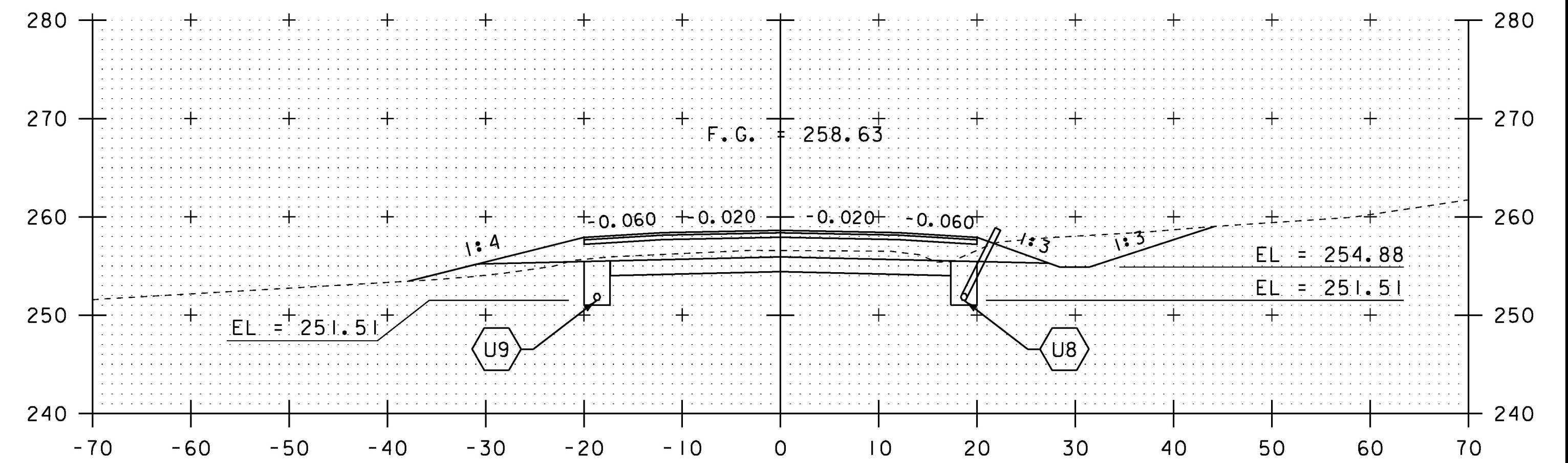


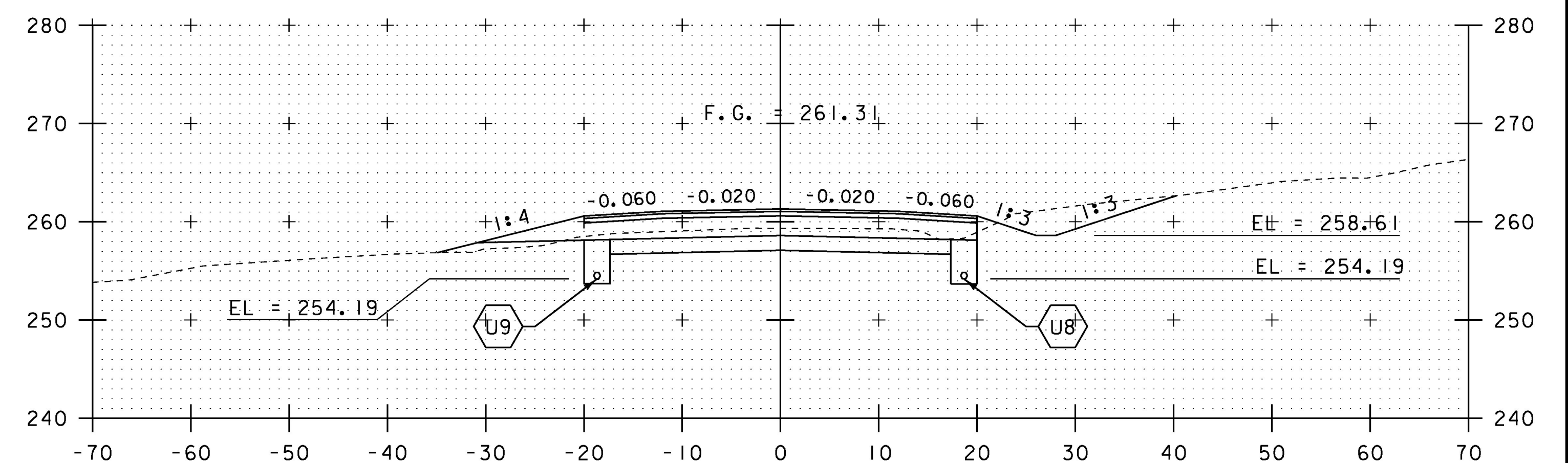
32+50



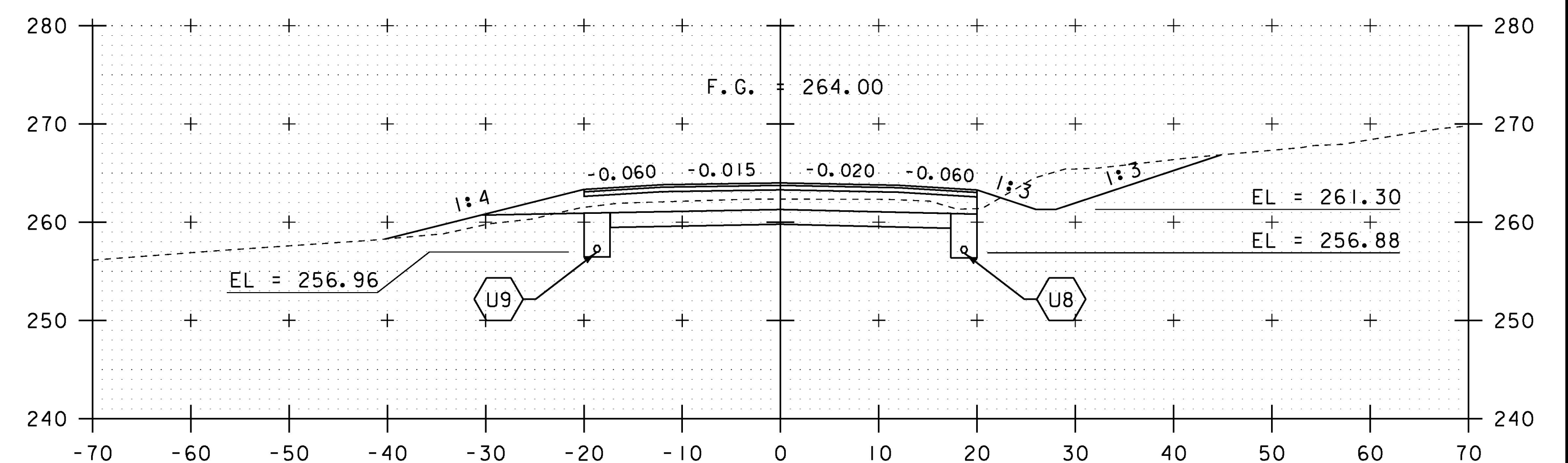
32+00



34+00



33+50



33+00

SCALE IN FEET

STA. 32+00 TO STA. 34+00

PROJECT NAME: CHARLOTTE	PLOT DATE: 15-MAR-2016
PROJECT NUMBER: F EGC 019-4(20)	DRAWN BY: B. KIPP
FILE NAME: d78d062_xs.dgn	CHECKED BY: C. LEACH
PROJECT LEADER: K. UPMAL	SHEET 290 OF 499
DESIGNED BY: B. KIPP	
MAINLINE CROSS SECTIONS 13	