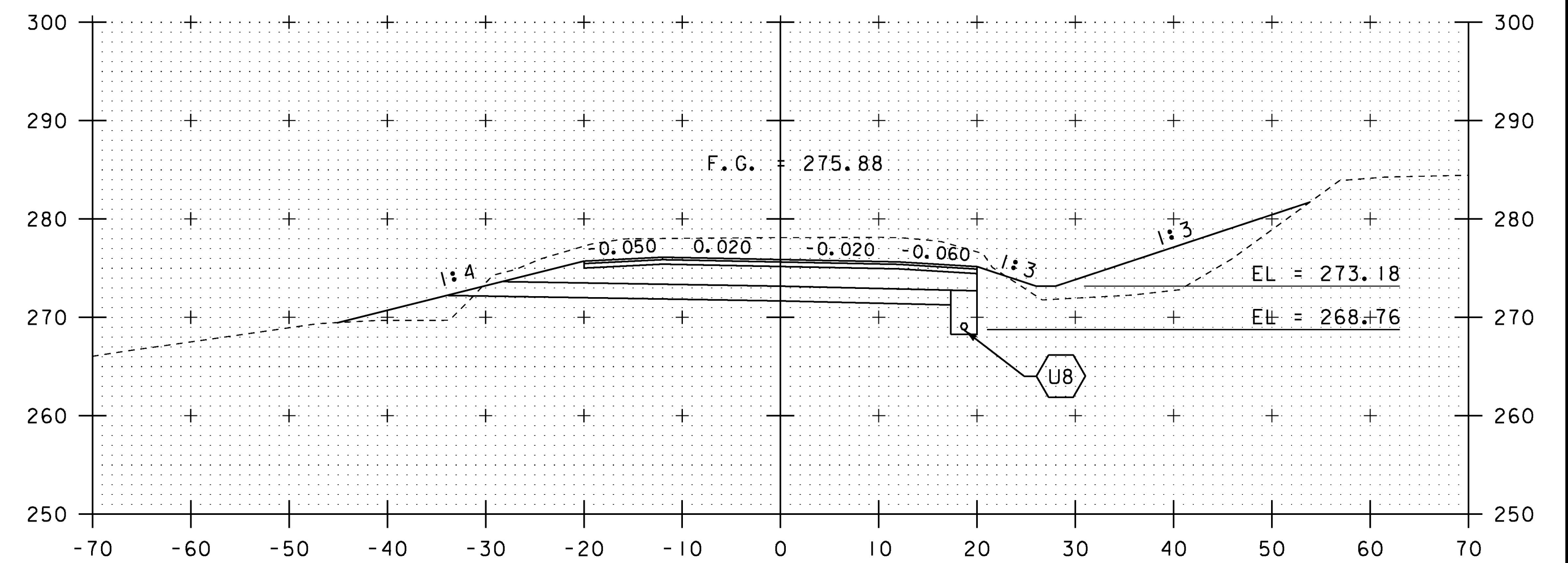
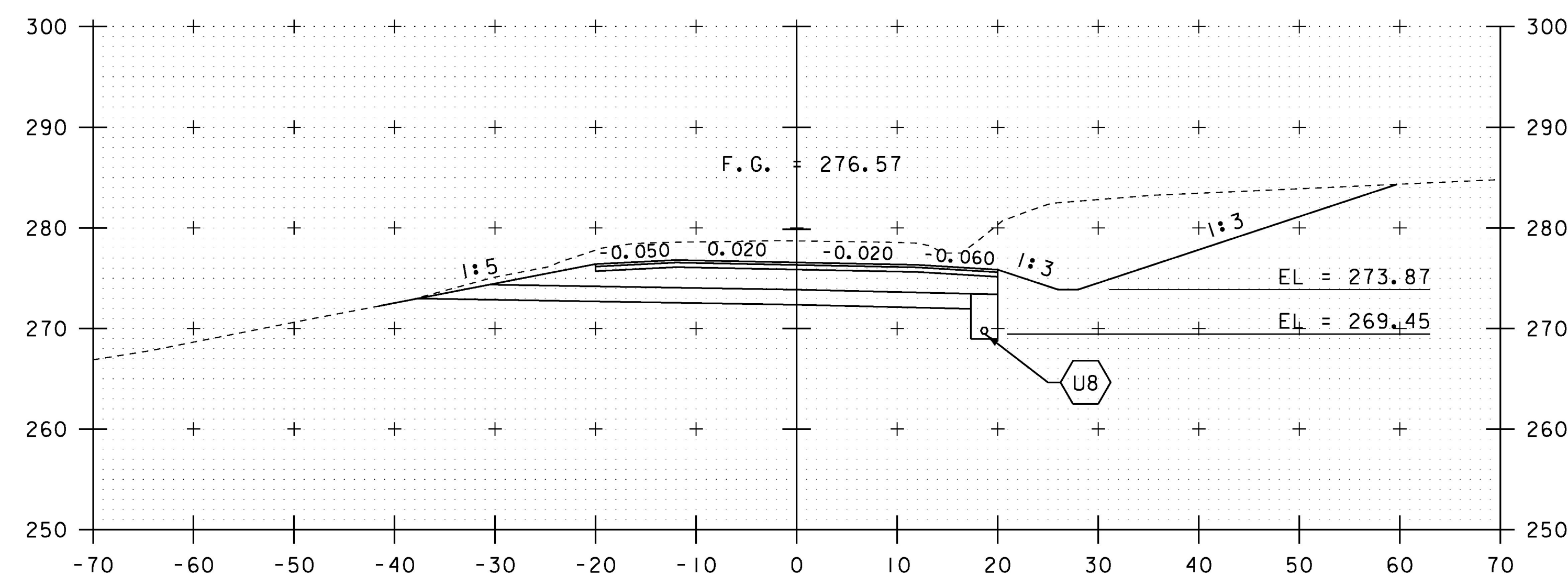


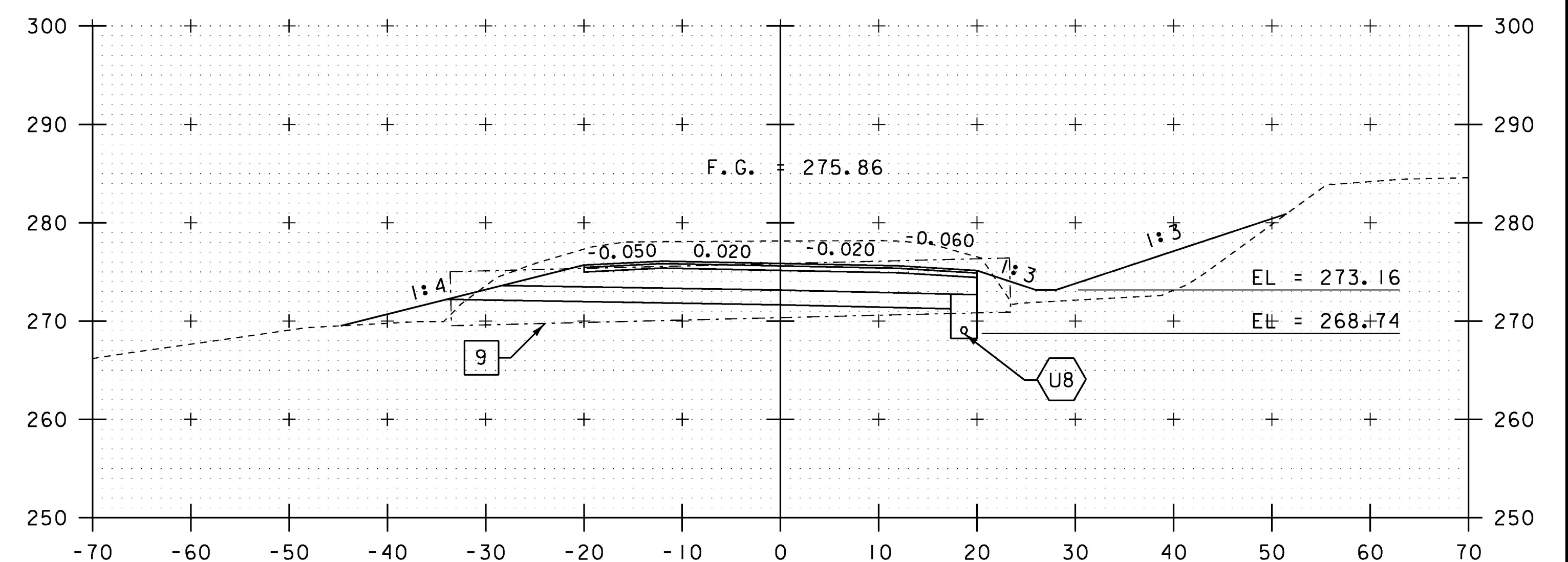
29+00



29+50



28+50



29+46

SCALE IN FEET

STA. 28+50 TO STA. 29+50

PROJECT NAME:	CHARLOTTE	PLOT DATE:	15-MAR-2016
PROJECT NUMBER:	F EGC 019-4(20)	DRAWN BY:	B. KIPP
FILE NAME:	d78d062_xs.dgn	CHECKED BY:	C. LEACH
PROJECT LEADER:	K. UPMAL	DESIGNED BY:	B. KIPP
MAINLINE CROSS SECTIONS II			SHEET 288 OF 499