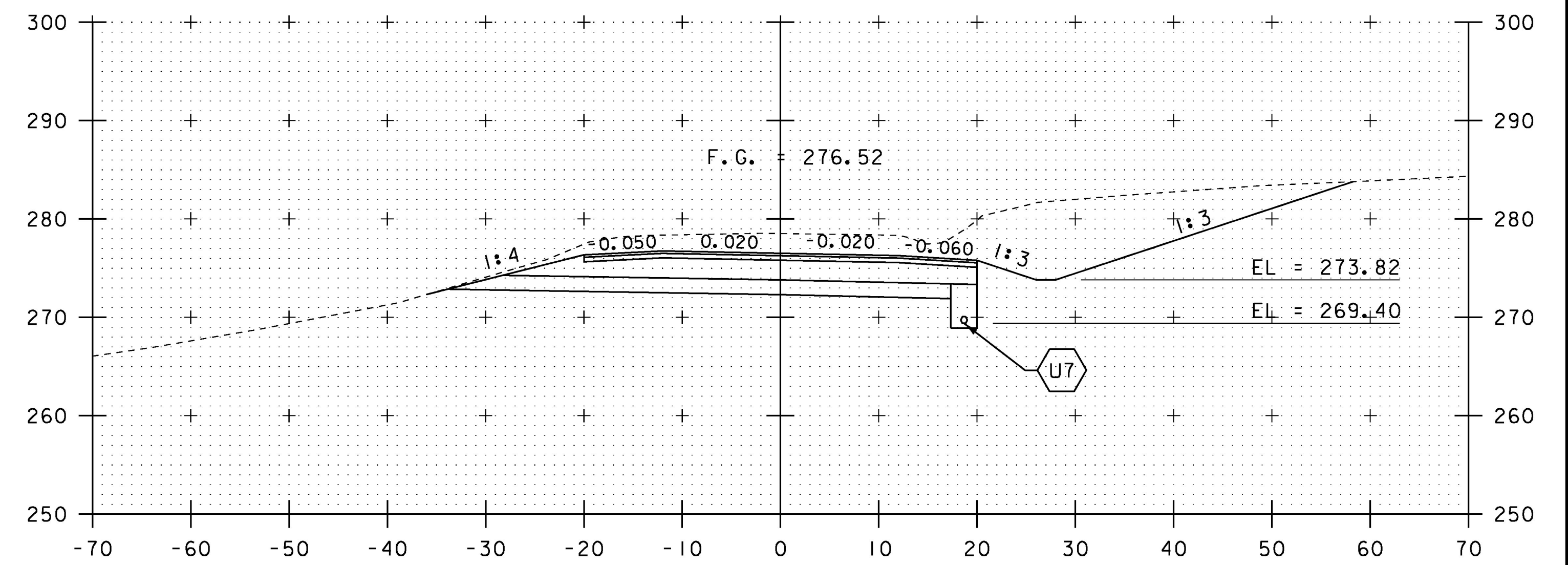
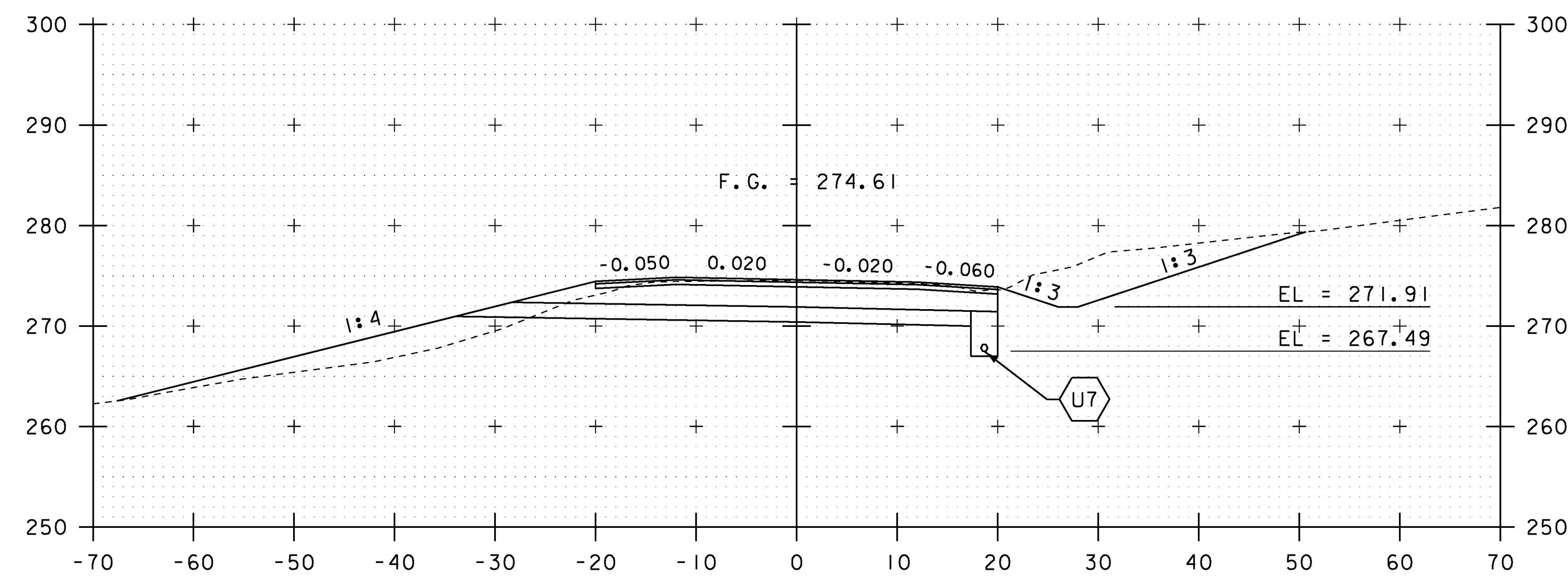


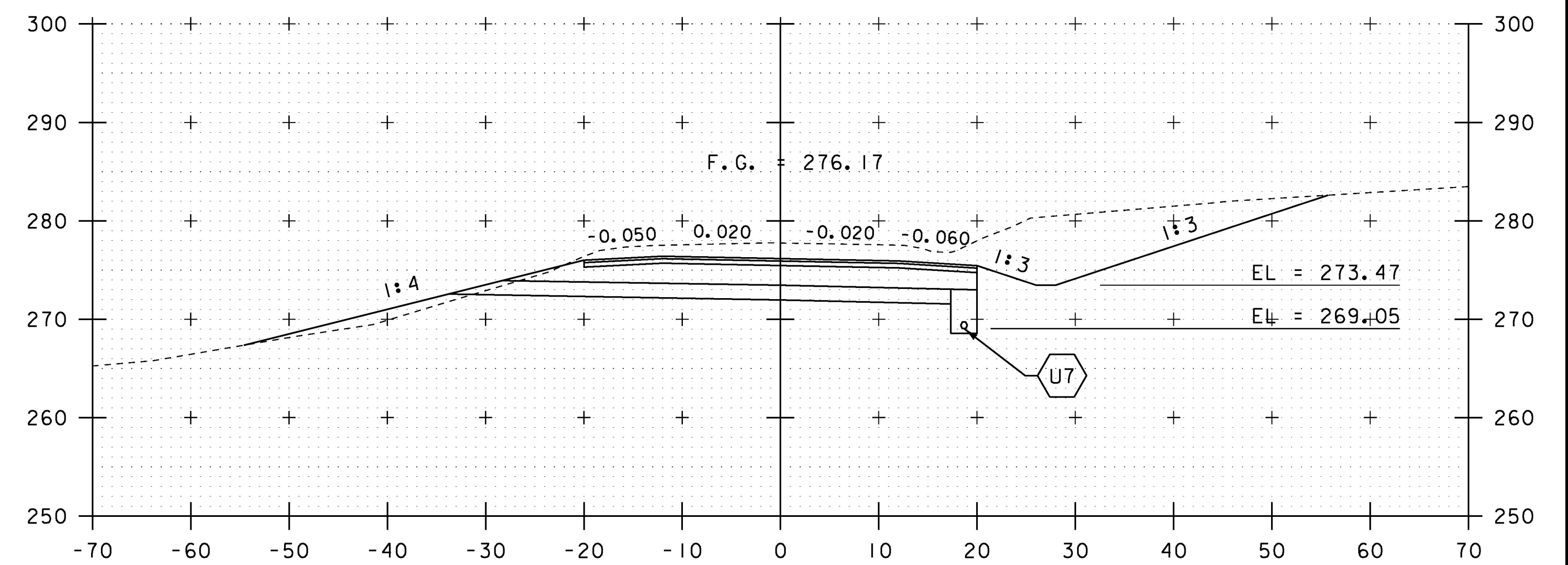
27+00



28+00



26+50



27+50

SCALE IN FEET

STA. 26+50 TO STA. 28+00

PROJECT NAME:	CHARLOTTE	FILE NAME:	d78d062_xs.dgn	PLOT DATE:	15-MAR-2016
PROJECT NUMBER:	F EGC 019-4(20)	PROJECT LEADER:	K. UPMAL	DRAWN BY:	B. KIPP
		DESIGNED BY:	B. KIPP	CHECKED BY:	C. LEACH
		MAINLINE CROSS SECTIONS IO		SHEET	287 OF 499