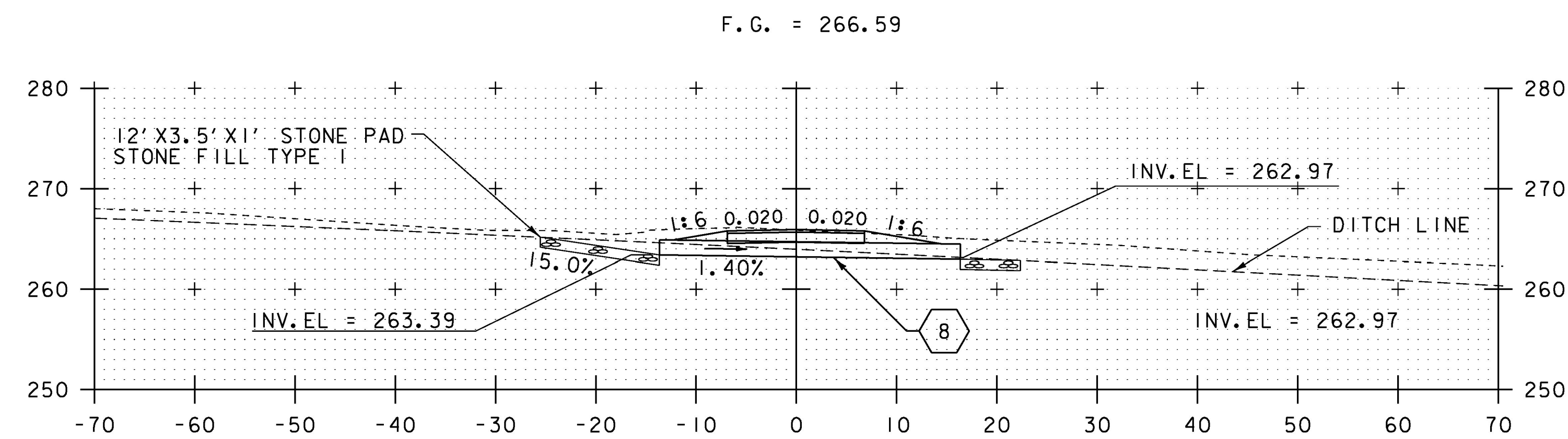
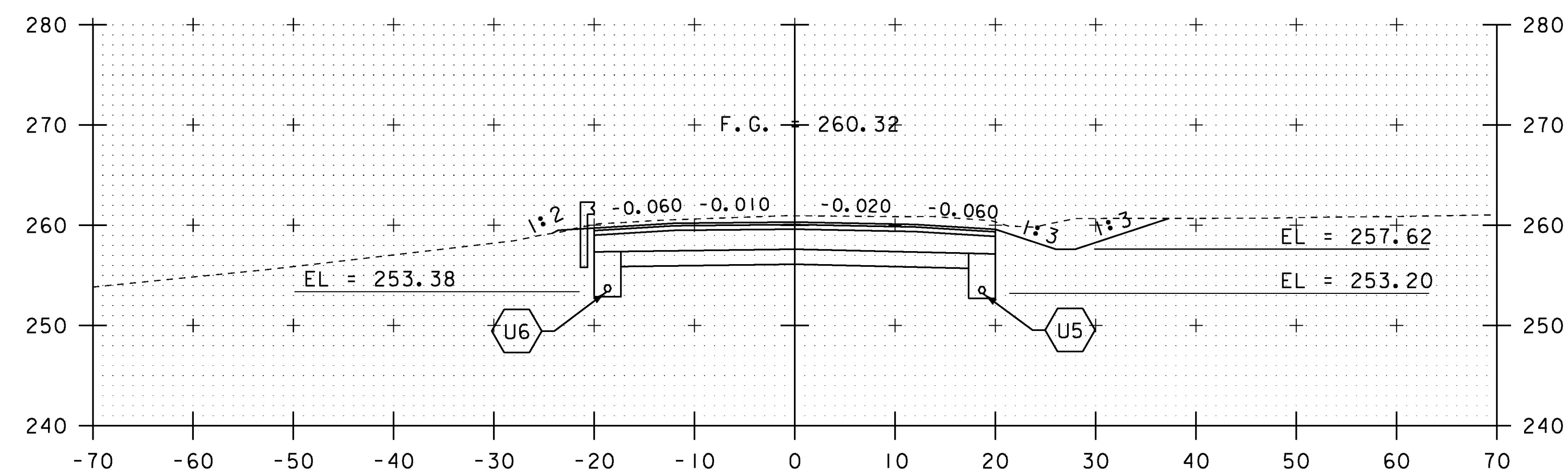


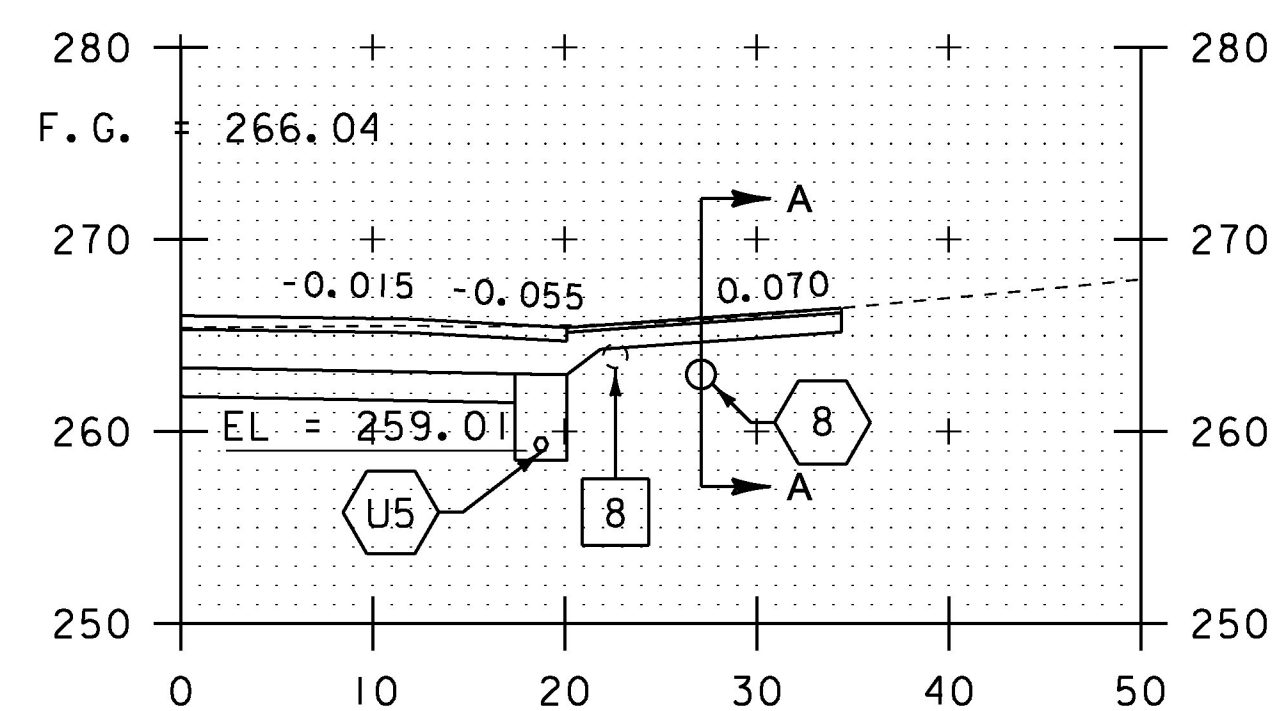
23+50



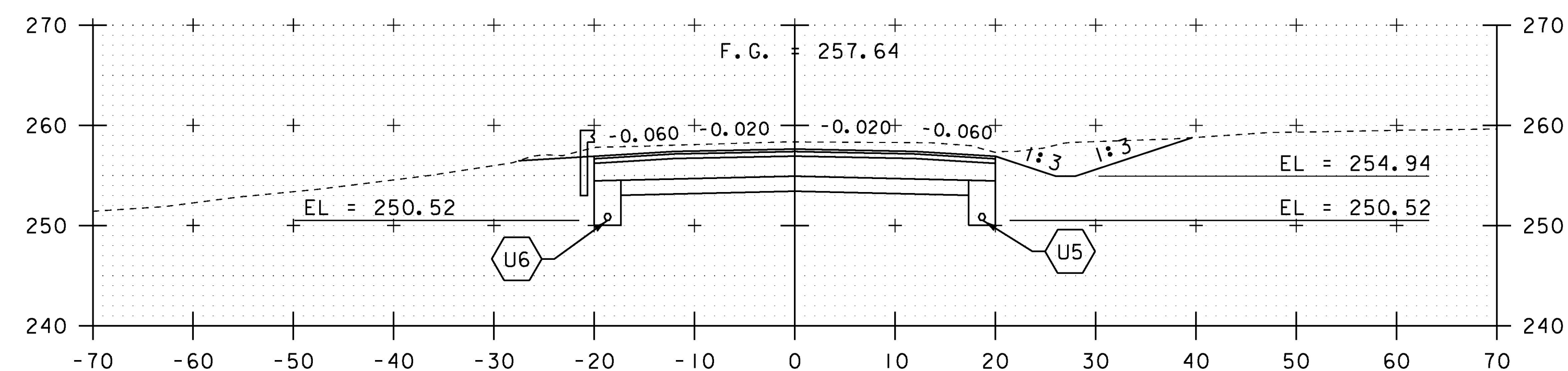
24+08 DRIVE RT SECTION A-A



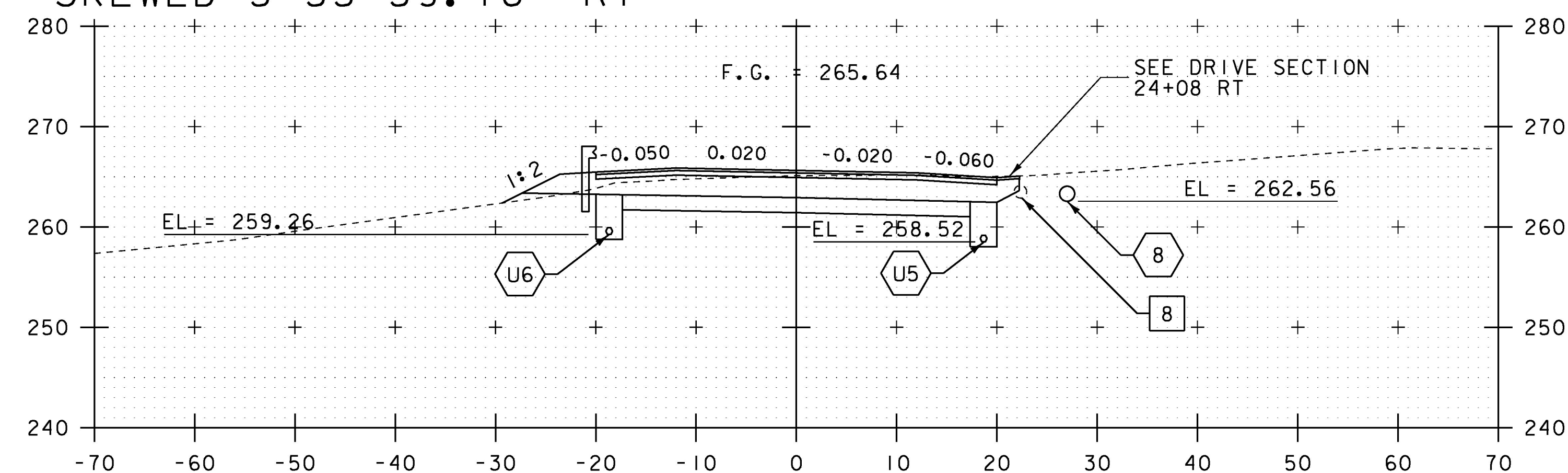
23+00



24+08 DRIVE RT  
SKEWED 5° 55' 59.16" RT



22+50



24+00

SCALE IN FEET

STA. 22+50 TO STA. 24+08

PROJECT NAME: CHARLOTTE	PLOT DATE: 15-MAR-2016
PROJECT NUMBER: F EGC 019-4(20)	DRAWN BY: B. KIPP
FILE NAME: d78d062_xs.dgn	CHECKED BY: C. LEACH
PROJECT LEADER: K. UPMAL	SHEET 285 OF 499
DESIGNED BY: B. KIPP	
MAINLINE CROSS SECTIONS 8	