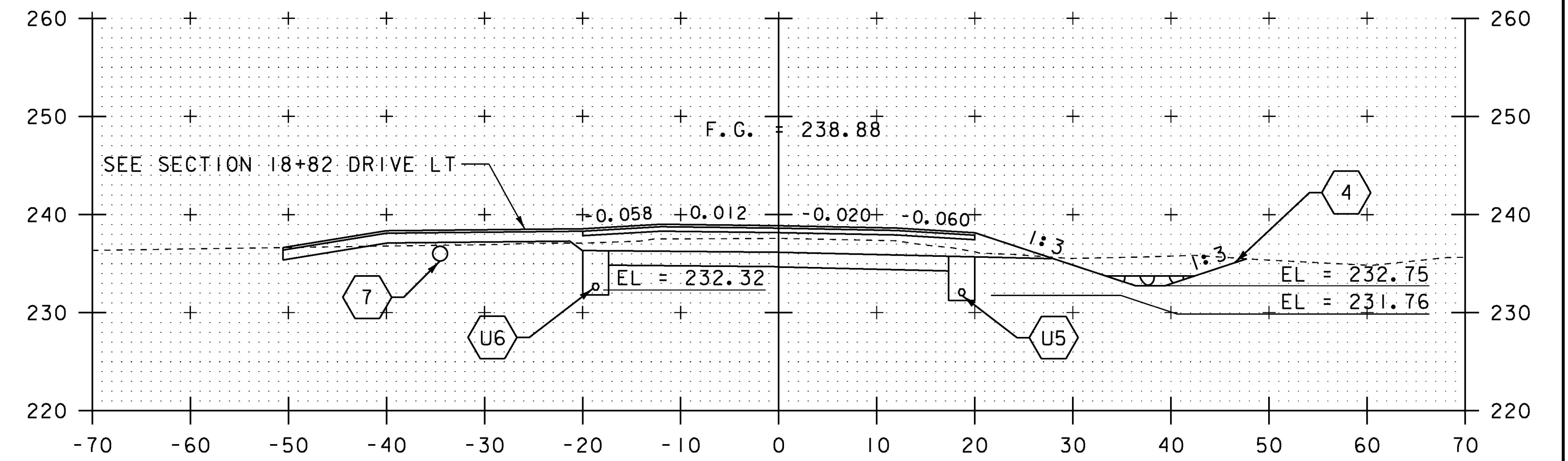
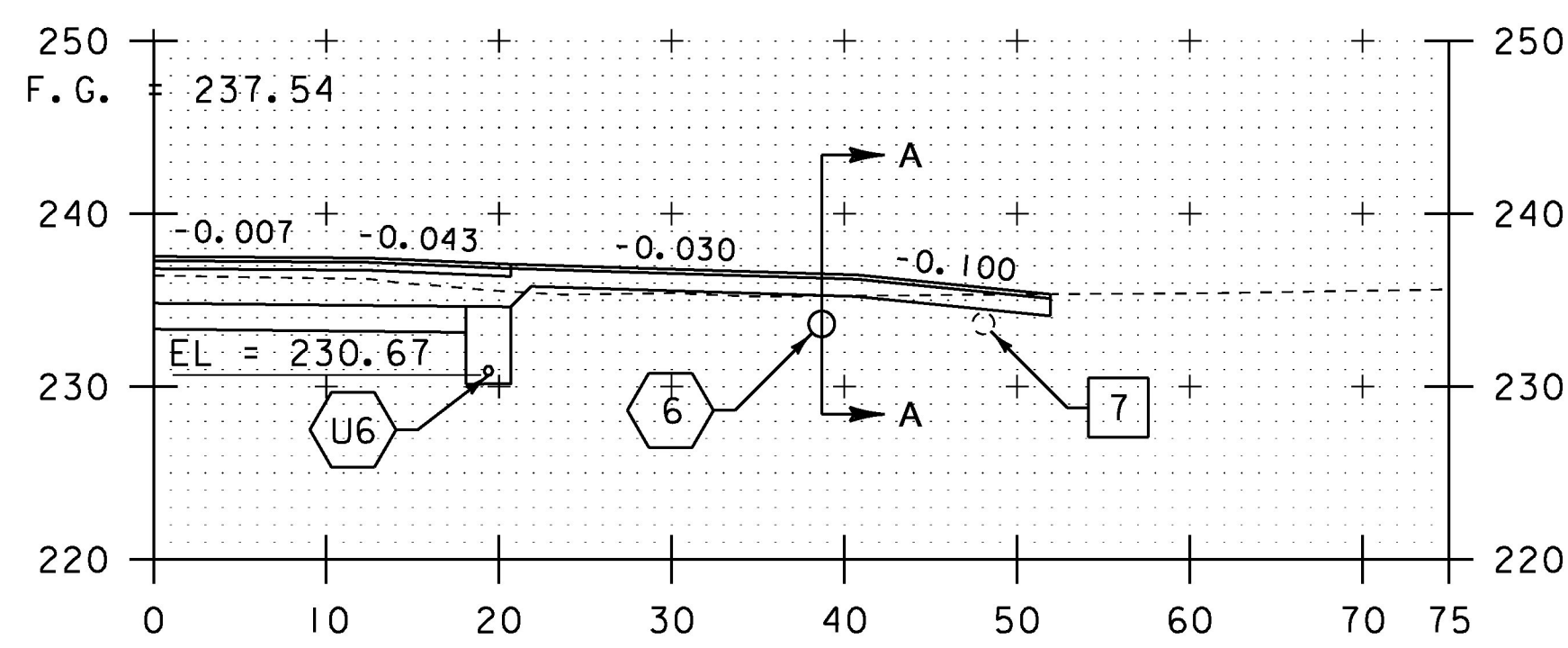


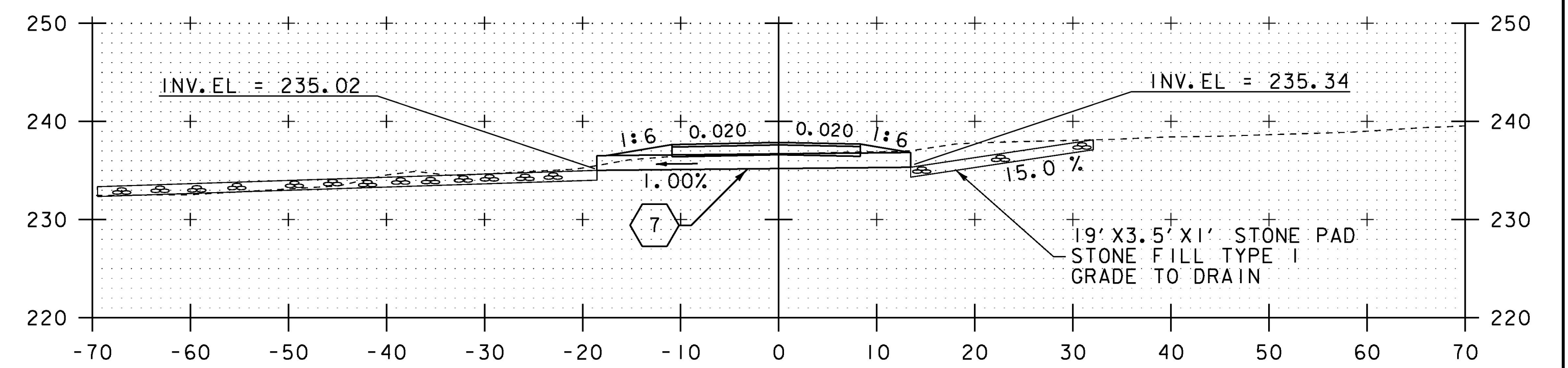
18+75 DRIVE RT SECTION A-A



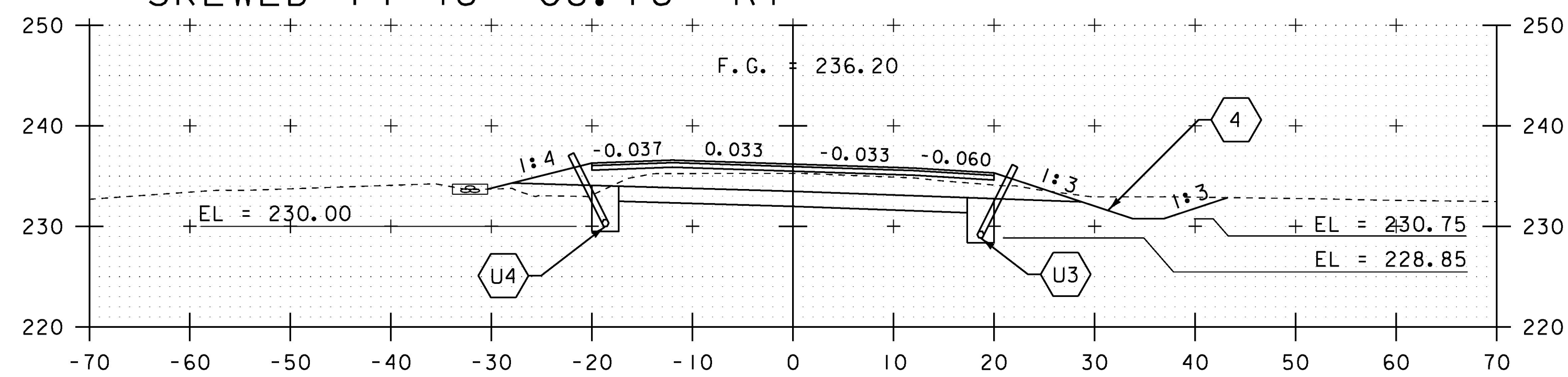
19+00



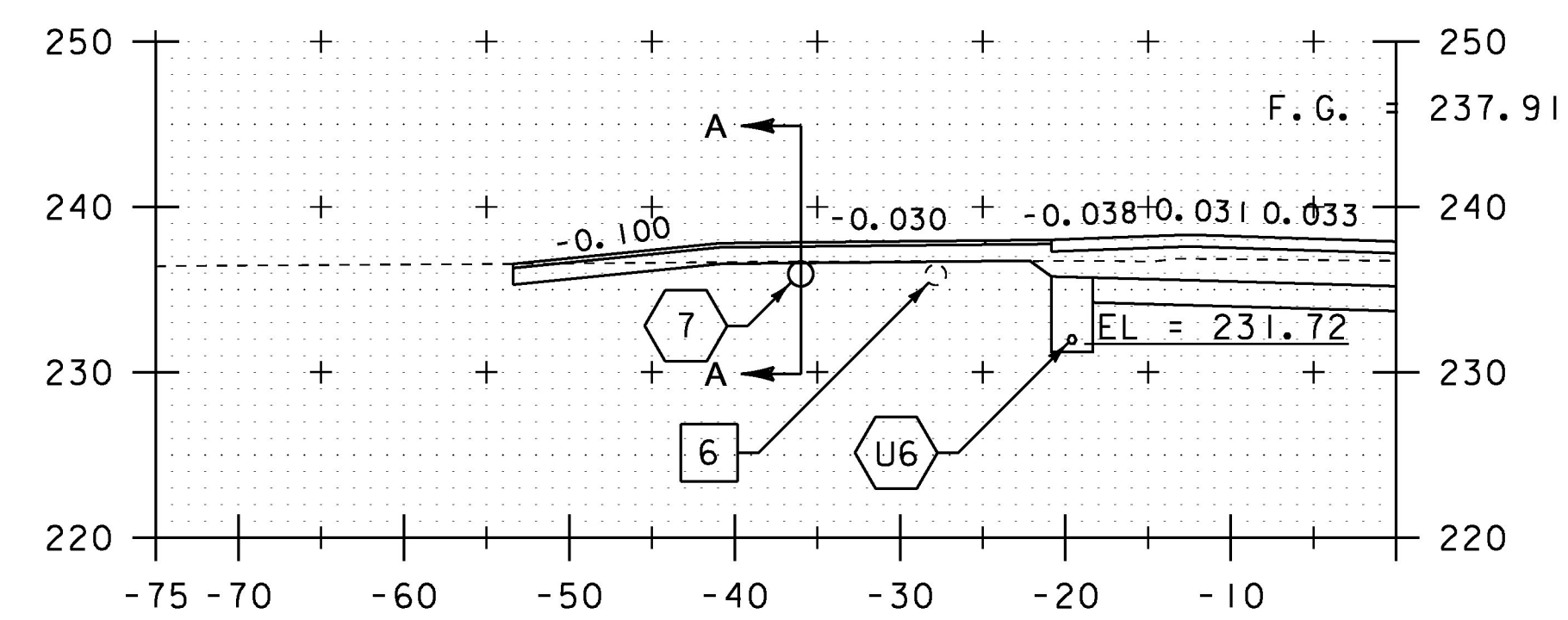
18+75 DRIVE RT
SKEWED 14° 46' -08.76" RT



18+82 DRIVE LT SECTION A-A



18+50



18+82 DRIVE LT
SKEWED 16° 25' 12.36"

SCALE IN FEET

STA. 18+50 TO STA. 19+00

PROJECT NAME:	CHARLOTTE
PROJECT NUMBER:	F EGC 019-4(20)
FILE NAME:	d78d062_xs.dgn
PROJECT LEADER:	K. UPMAL
DESIGNED BY:	B. KIPP
MAINLINE CROSS SECTIONS	6
PLOT DATE:	15-MAR-2016
DRAWN BY:	B. KIPP
CHECKED BY:	C. LEACH
SHEET	283 OF 499