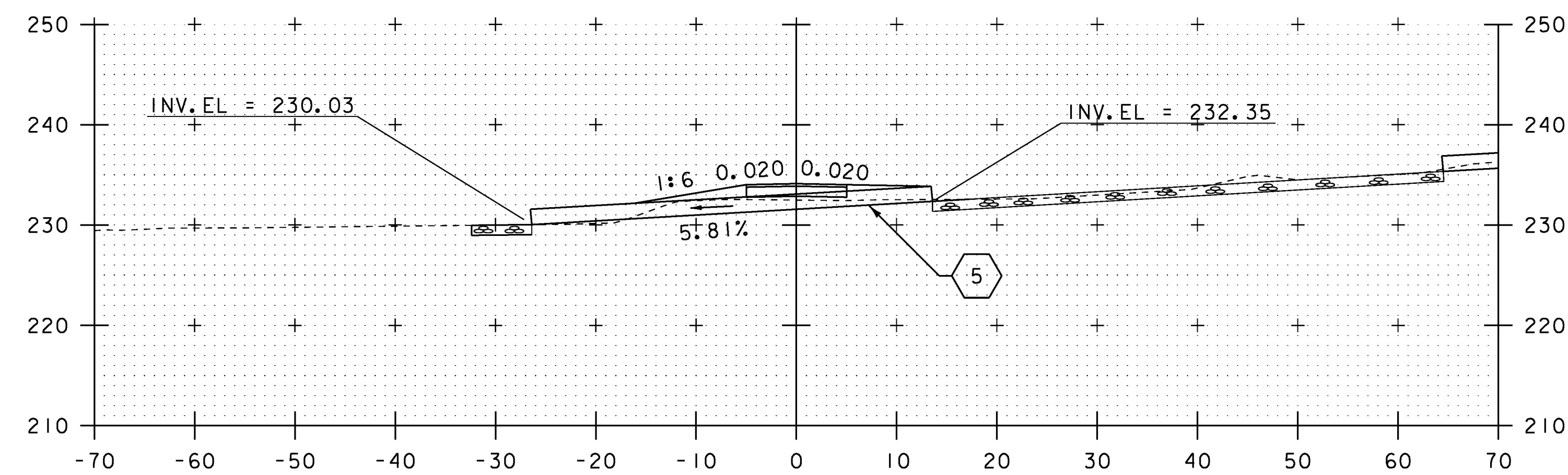
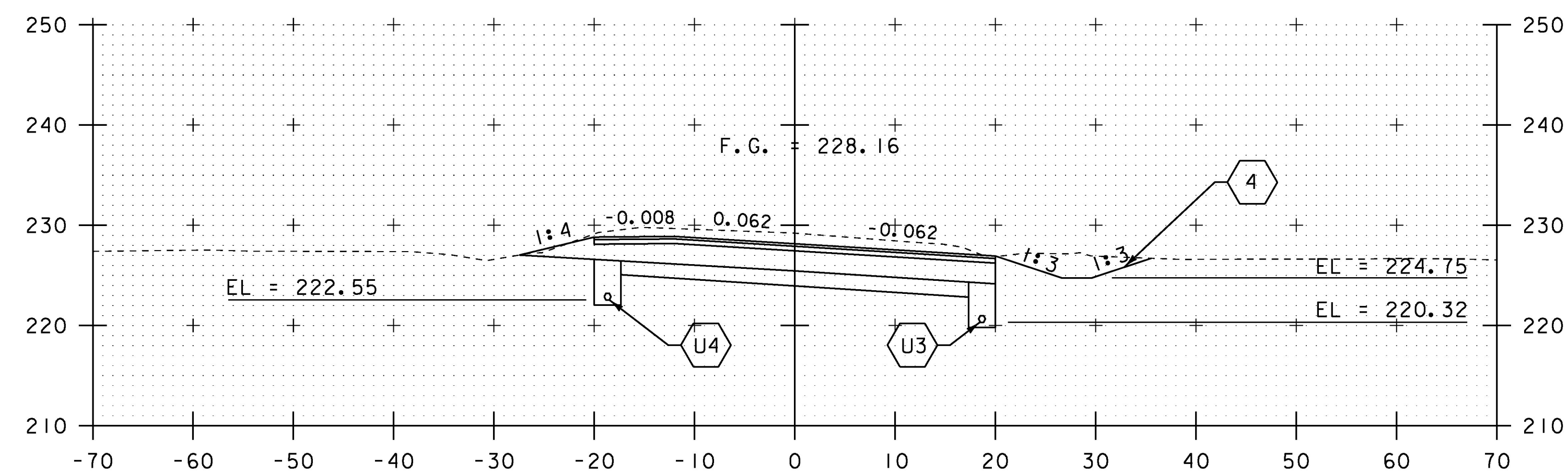


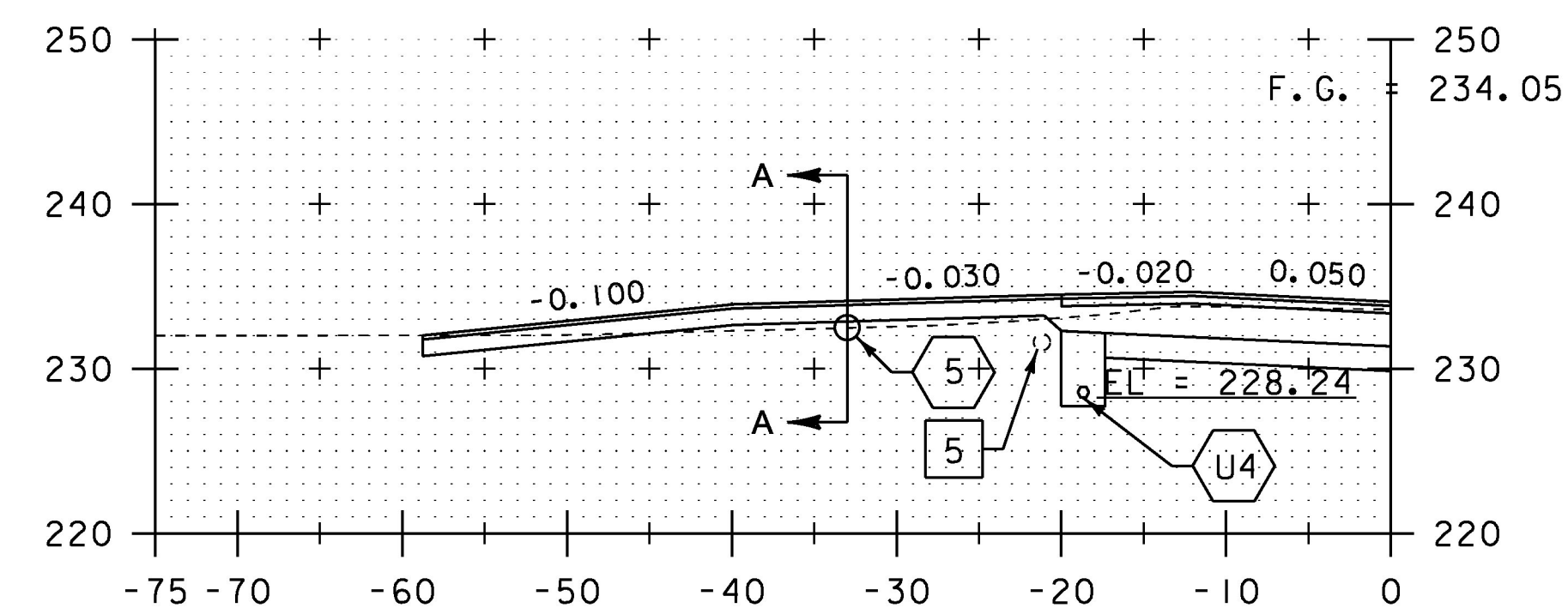
17+50



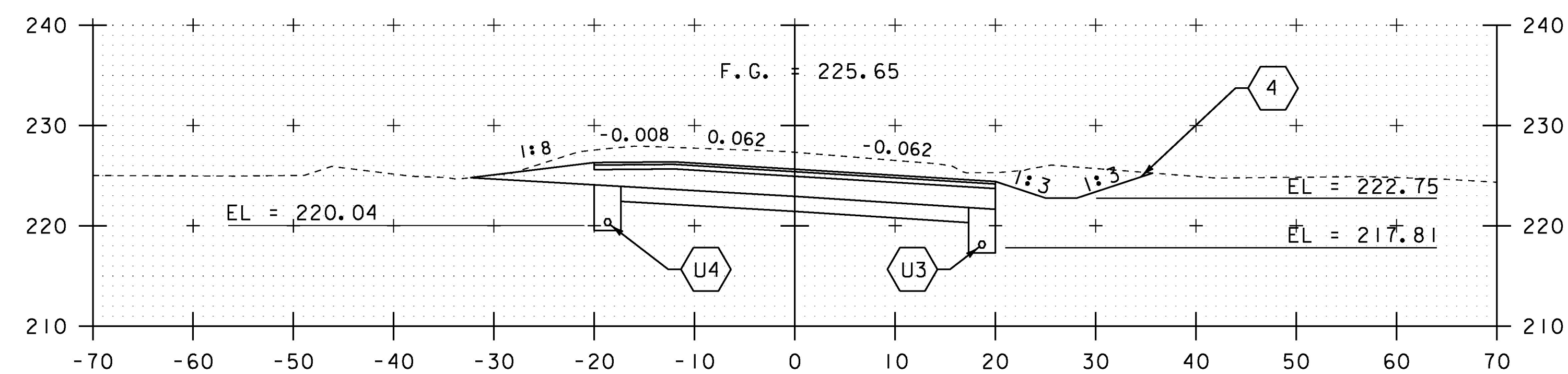
18+10 DRIVE LT
SECTION A-A



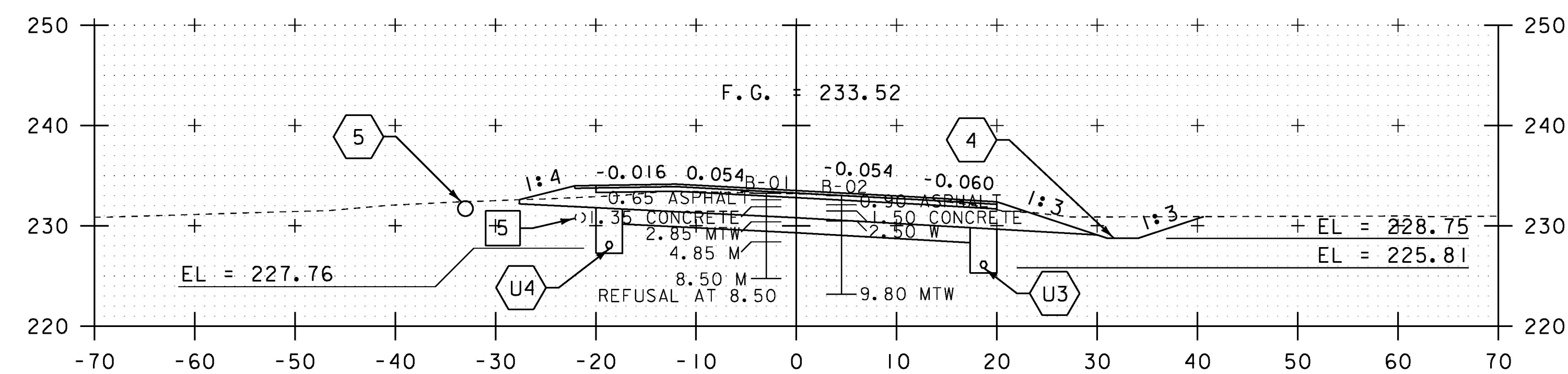
17+00



18+10 DRIVE LT



16+50



18+00

SCALE IN FEET

STA. 16+50 TO STA. 18+10

PROJECT NAME: CHARLOTTE	
PROJECT NUMBER: F EGC 019-4(20)	
FILE NAME: d78d062_xs.dgn	PLOT DATE: 15-MAR-2016
PROJECT LEADER: K. UPMAL	DRAWN BY: B. KIPP
DESIGNED BY: B. KIPP	CHECKED BY: C. LEACH
MAINLINE CROSS SECTIONS 5	SHEET 282 OF 499