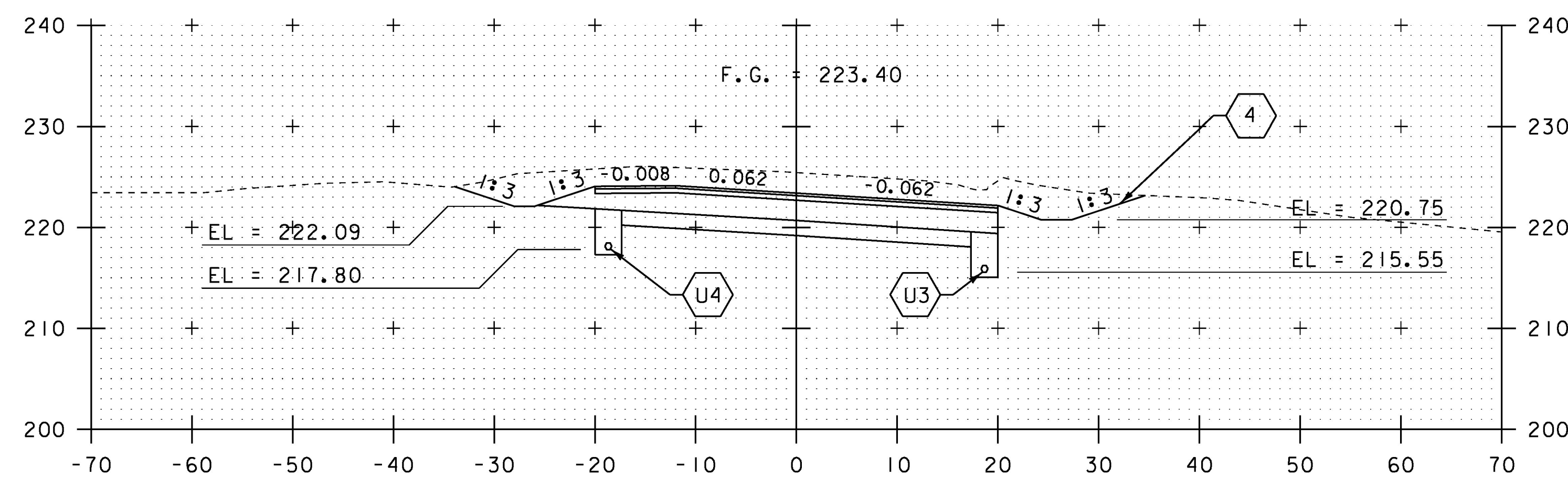
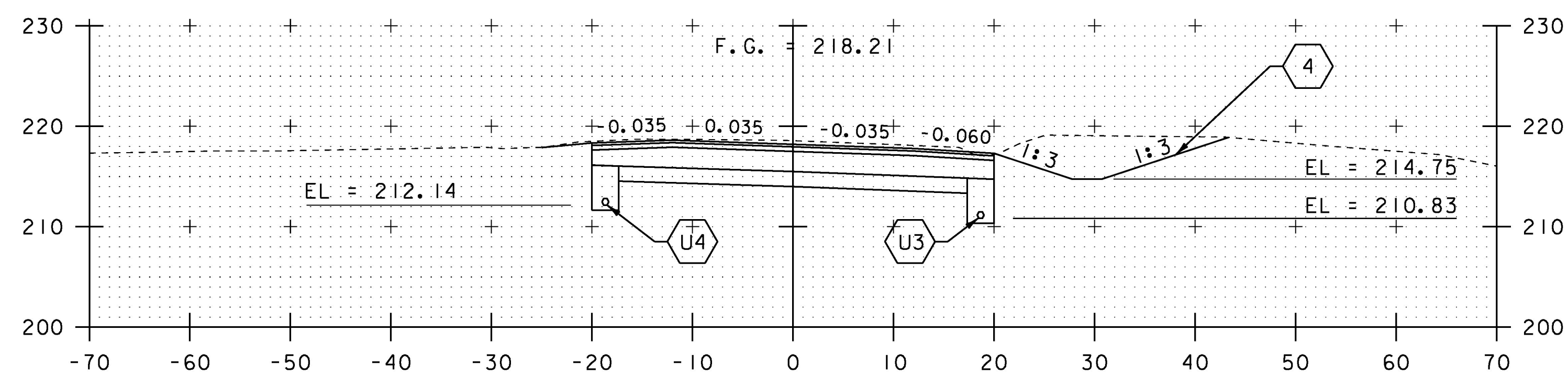


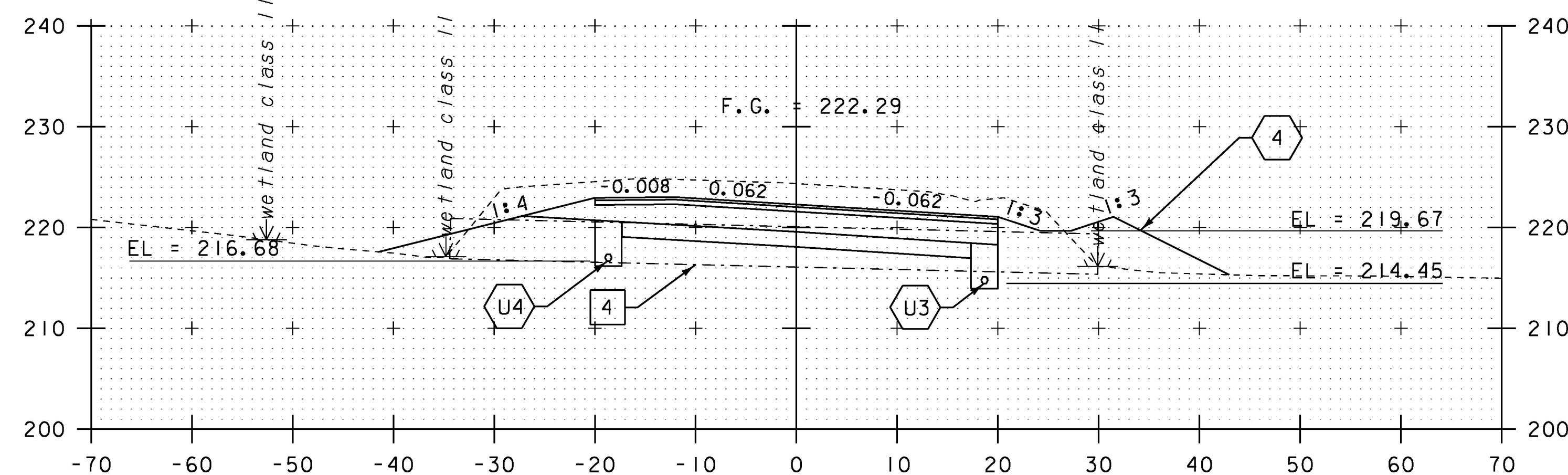
15+00



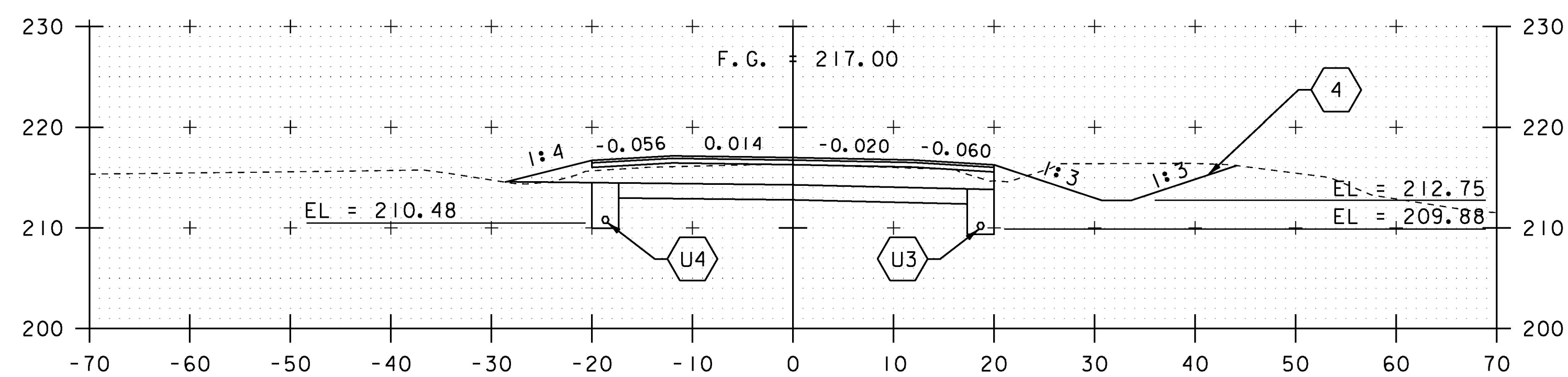
16+00



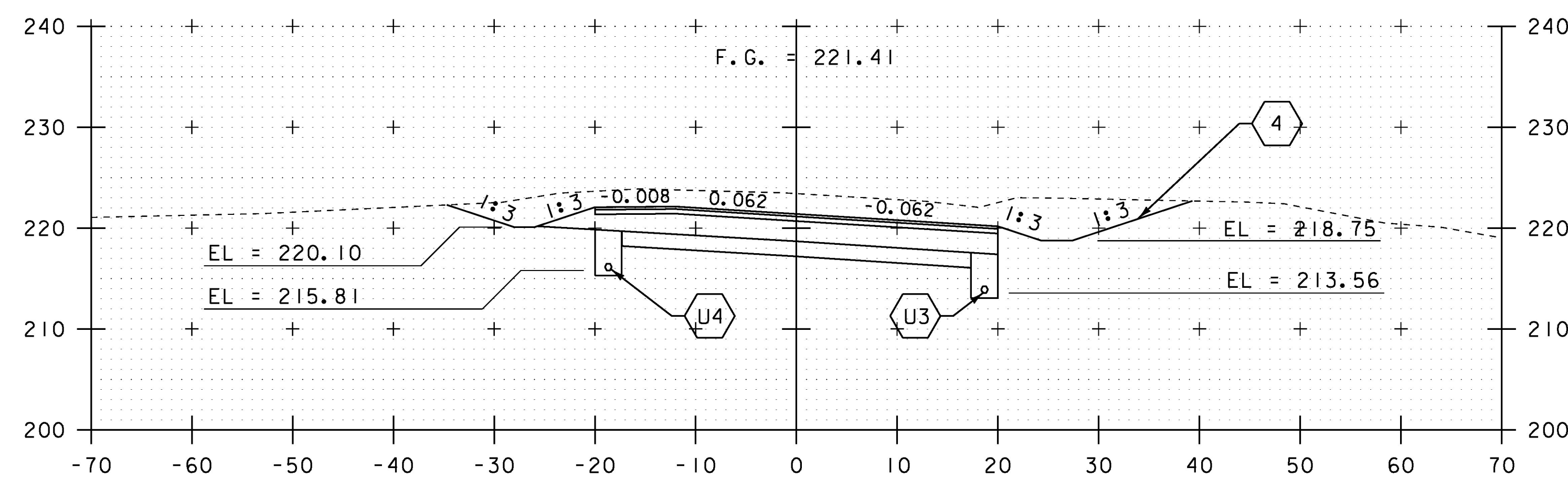
14+50



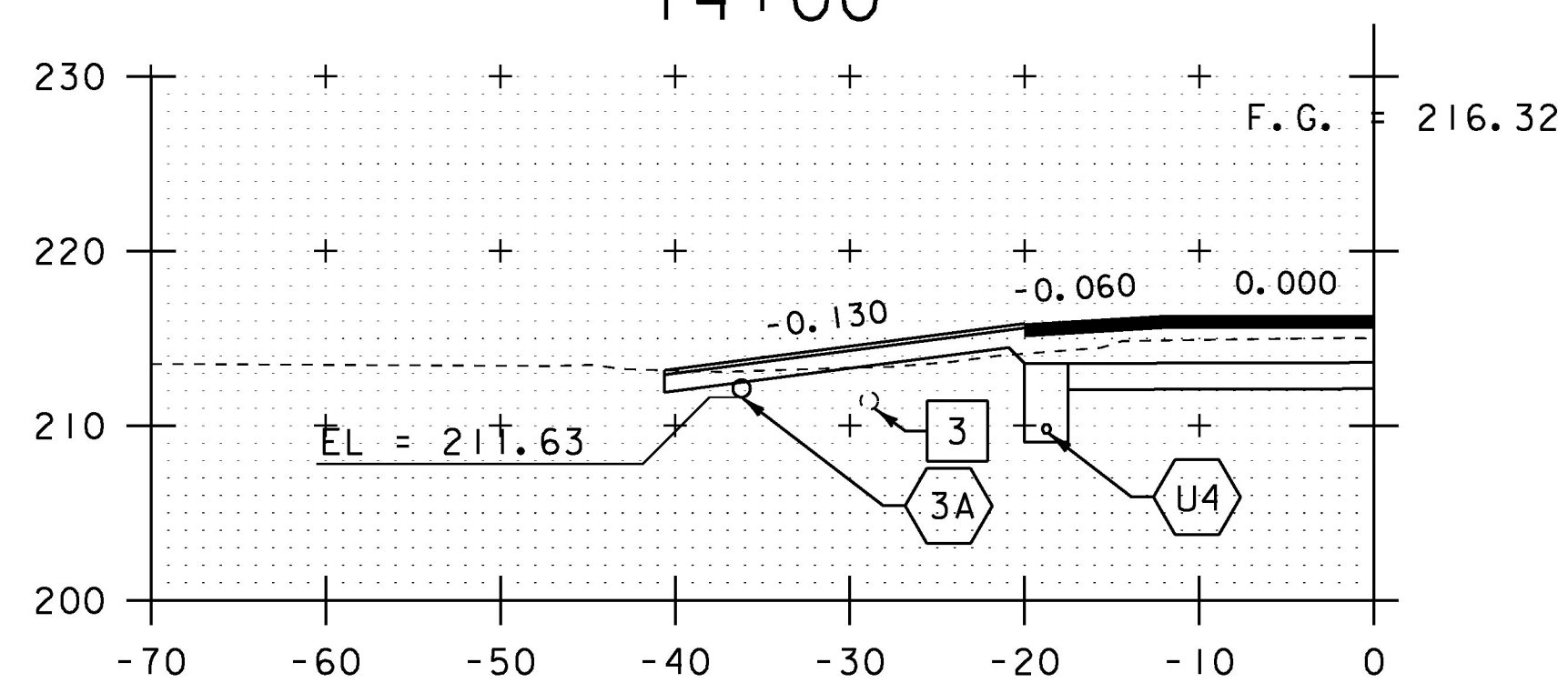
15+73



14+00



15+50



13+66 DRIVE LT

SCALE IN FEET

STA. 13+66 TO STA. 16+00

PROJECT NAME:	CHARLOTTE	PLOT DATE:	15-MAR-2016
PROJECT NUMBER:	F EGC 019-4(20)	DRAWN BY:	B. KIPP
FILE NAME:	d78d062_xs.dgn	DESIGNED BY:	B. KIPP
PROJECT LEADER:	K. UPMAL	CHECKED BY:	C. LEACH
MAINLINE CROSS SECTIONS 4			SHEET 281 OF 499