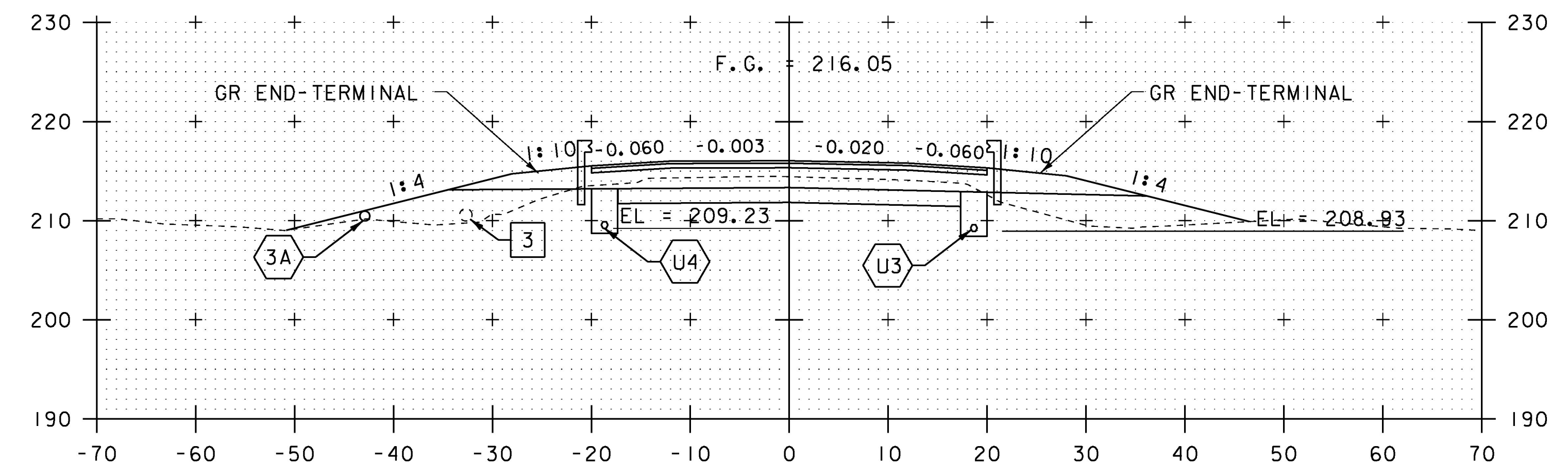
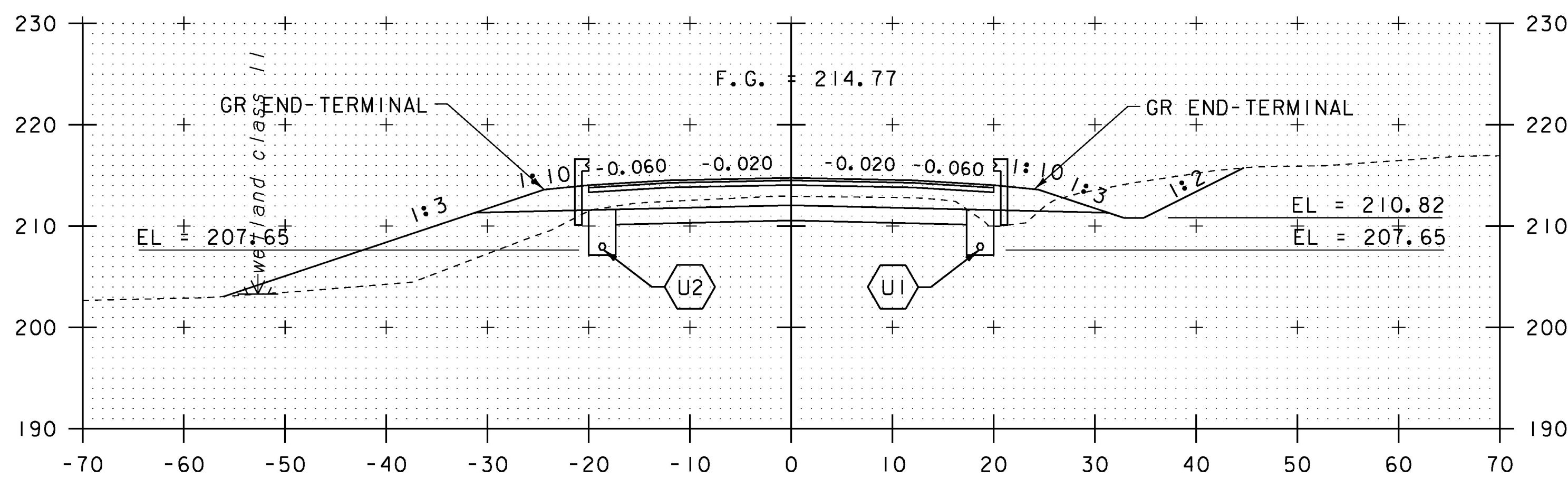


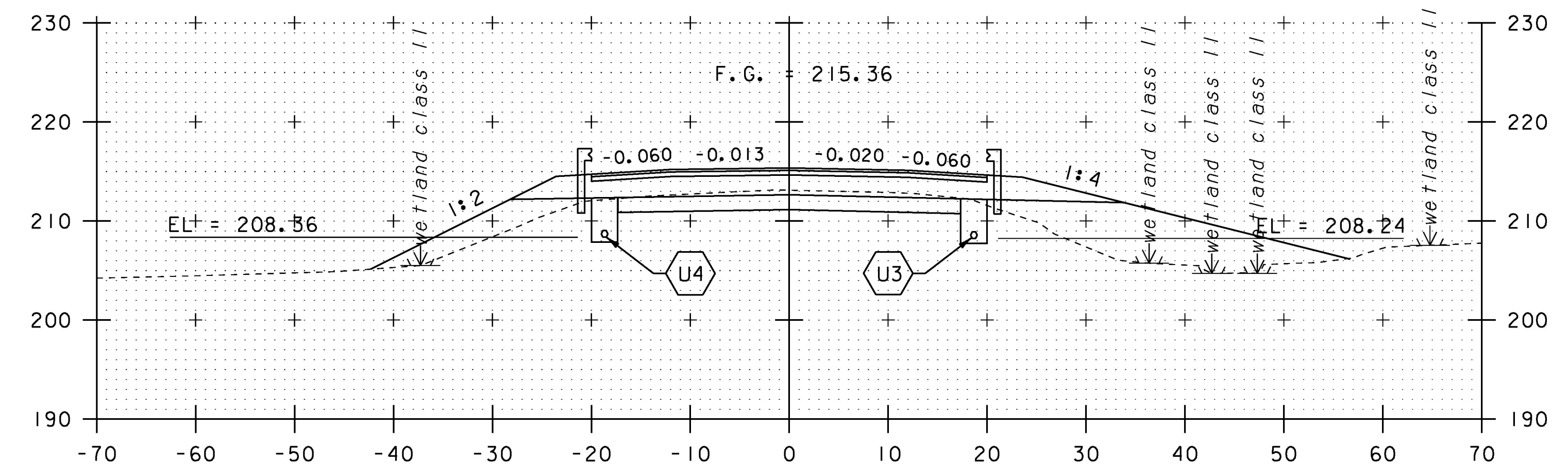
12+50



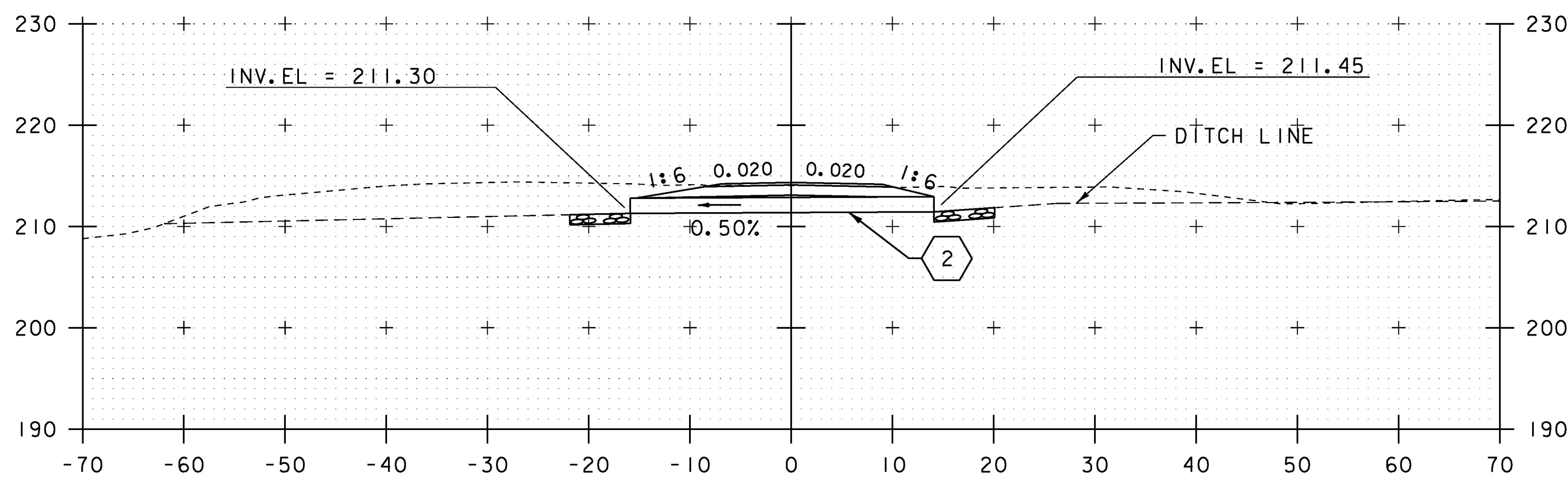
13+50



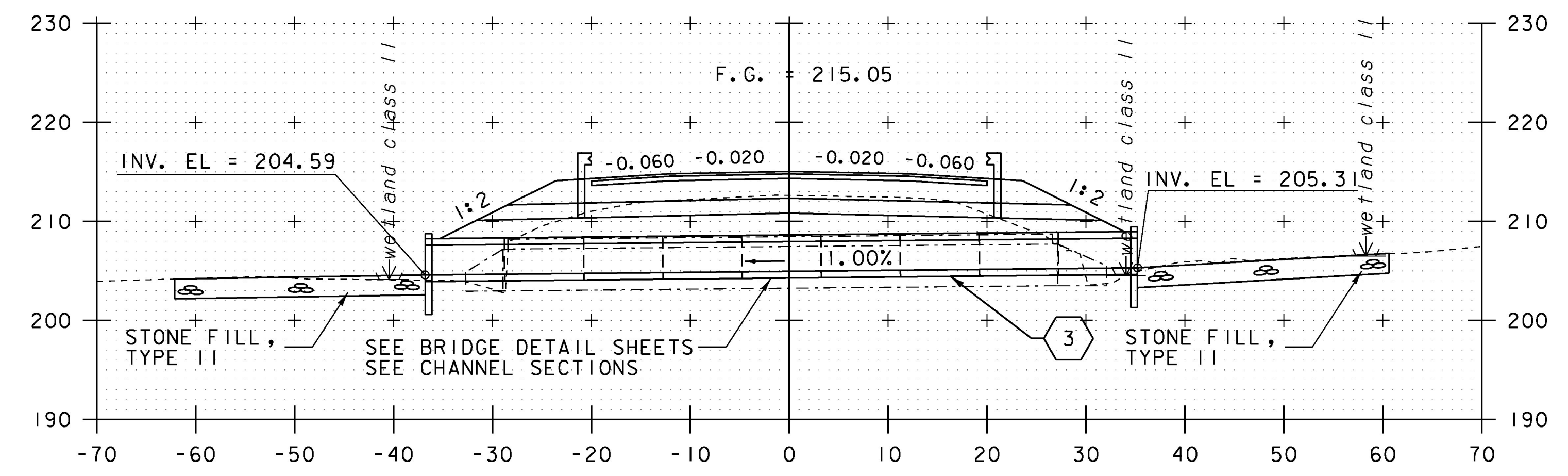
12+00



13+00



11+50 DRIVE RT SECTION A-A



12+67 BRIDGE #140

SCALE IN FEET

STA. 11+50 TO STA. 13+50

PROJECT NAME: CHARLOTTE	
PROJECT NUMBER: F EGC 019-4(20)	
FILE NAME: d78d062_xs.dgn	PLOT DATE: 15-MAR-2016
PROJECT LEADER: K. UPMAL	DRAWN BY: B. KIPP
DESIGNED BY: B. KIPP	CHECKED BY: C. LEACH
MAINLINE CROSS SECTIONS 3	SHEET 280 OF 499