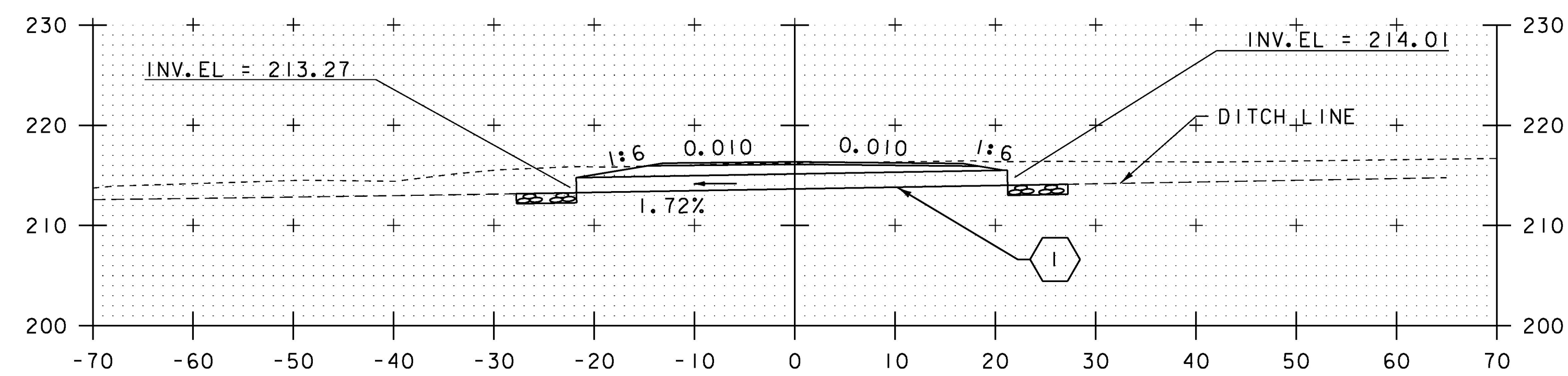
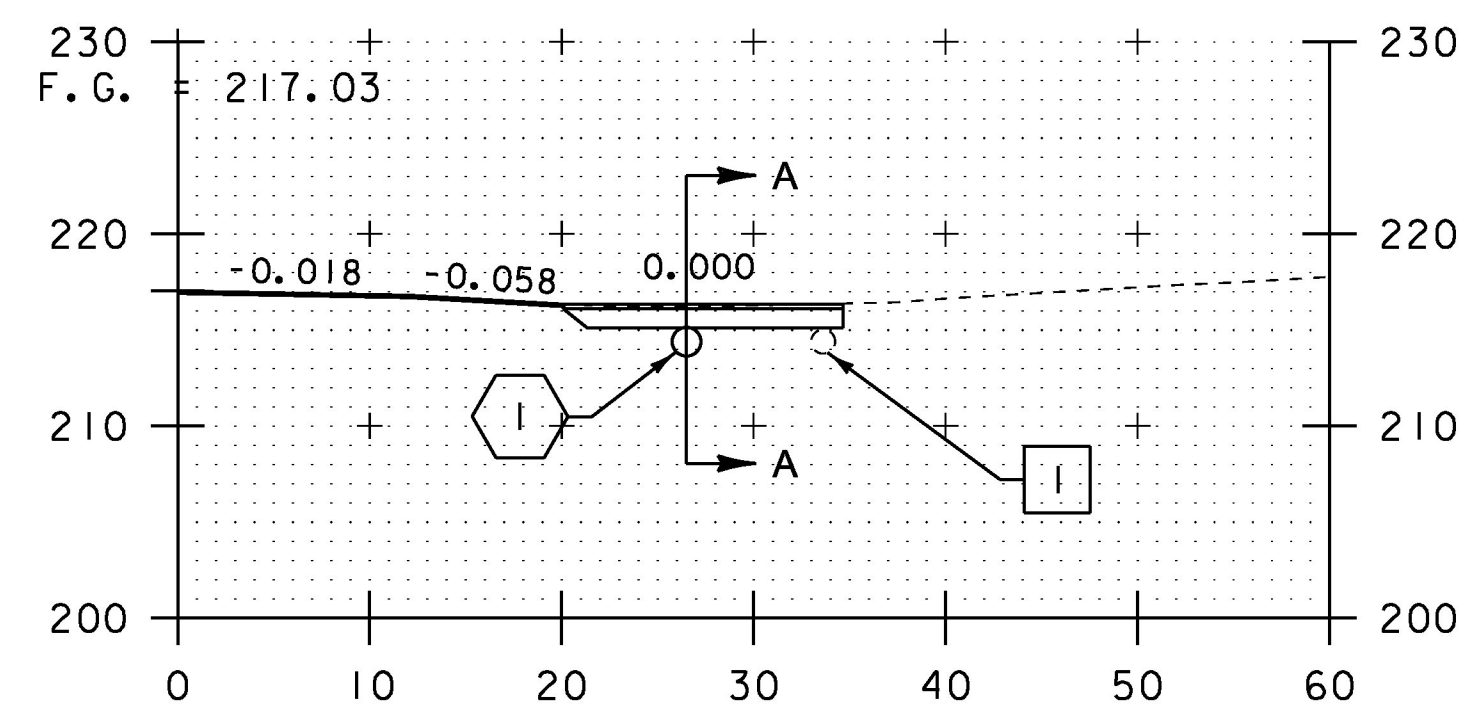


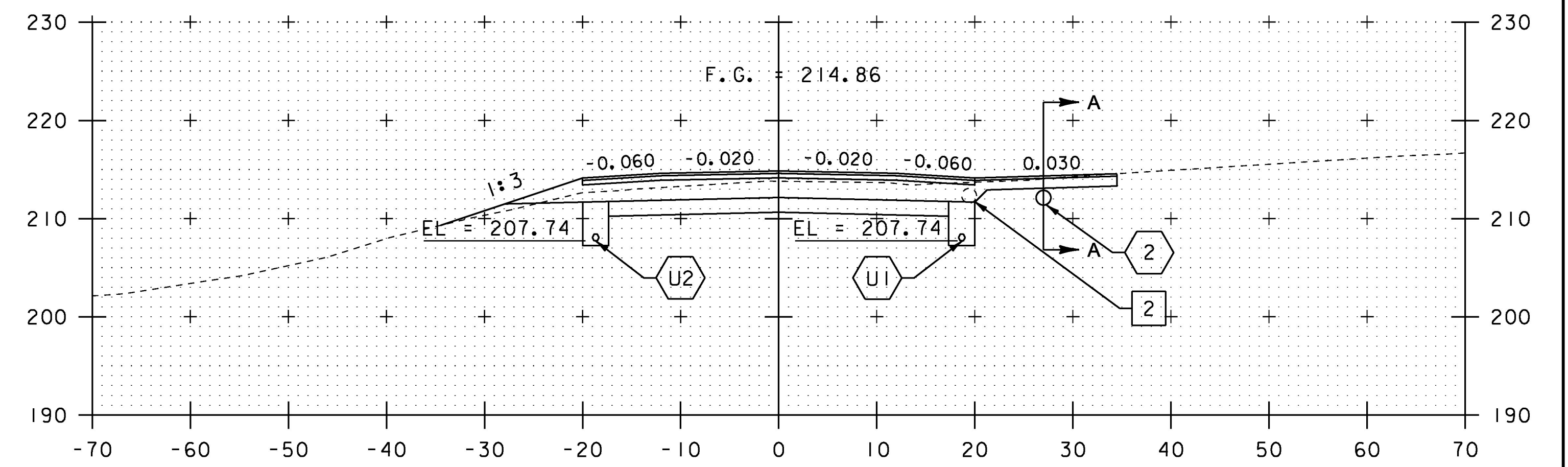
10+00



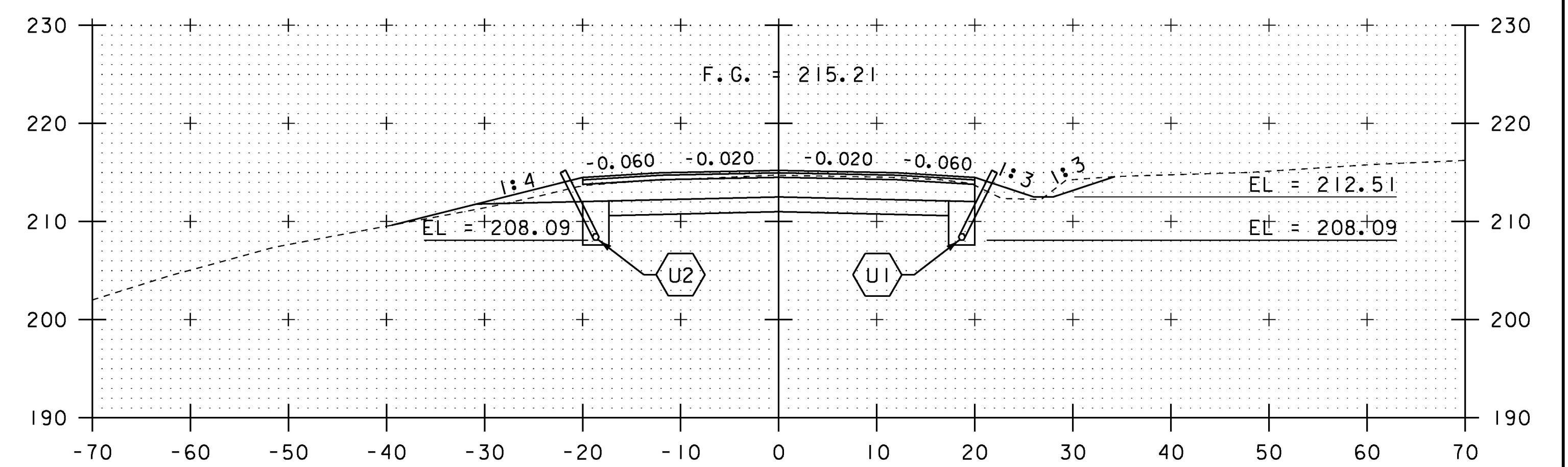
9+63 DRIVE RT  
SECTION A-A



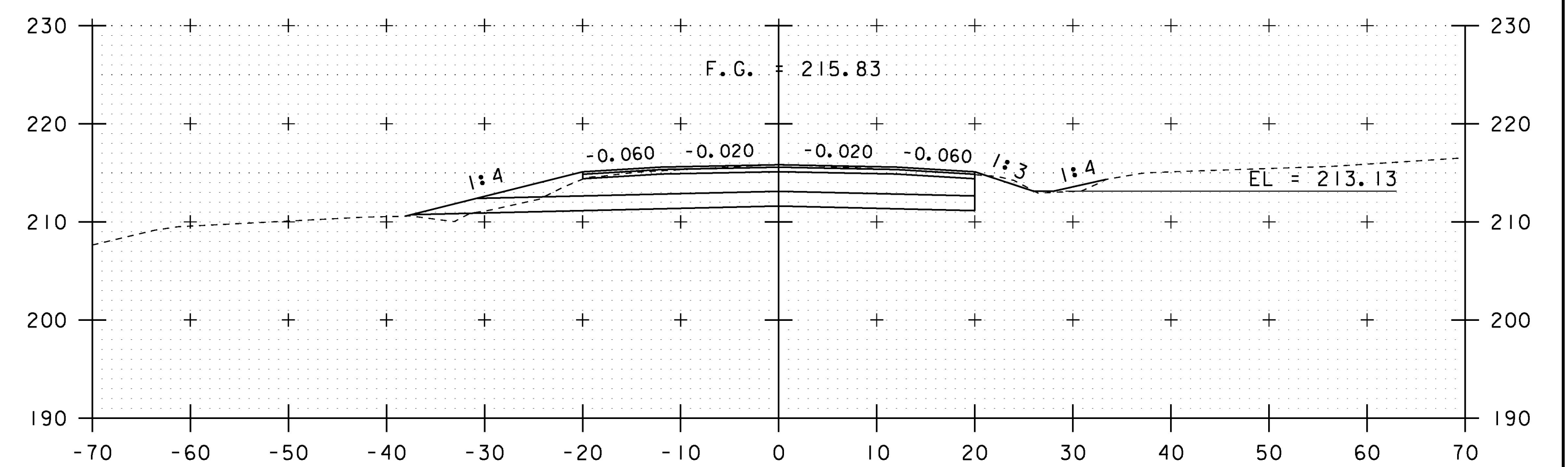
9+63 DRIVE RT



11+50 DRIVE RT



11+00



10+50  
END APPROACH  
BEGIN PROJECT  
FEGC 019-4 (20)

SCALE IN FEET

STA. 9+63 TO STA. 11+50

PROJECT NAME:	CHARLOTTE
PROJECT NUMBER:	F EGC 019-4(20)
FILE NAME:	d78d062_xs.dgn
PROJECT LEADER:	K. UPMAL
DESIGNED BY:	B. KIPP
MAINLINE CROSS SECTIONS 2	
PLOT DATE:	15-MAR-2016
DRAWN BY:	B. KIPP
CHECKED BY:	C. LEACH
SHEET	279 OF 499