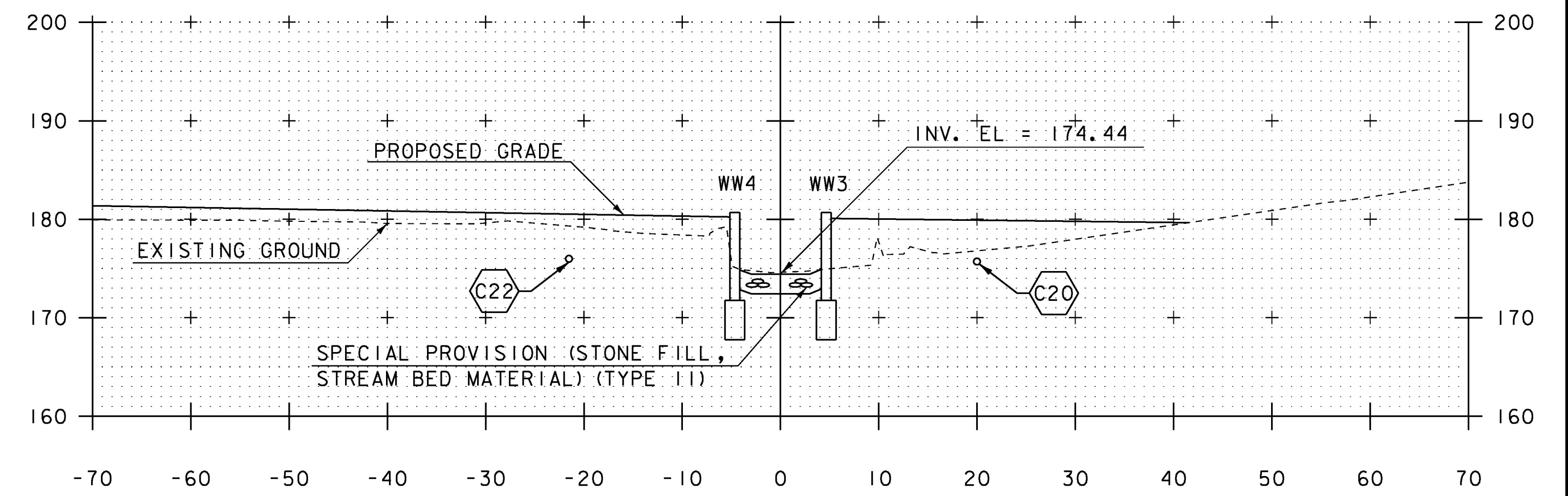
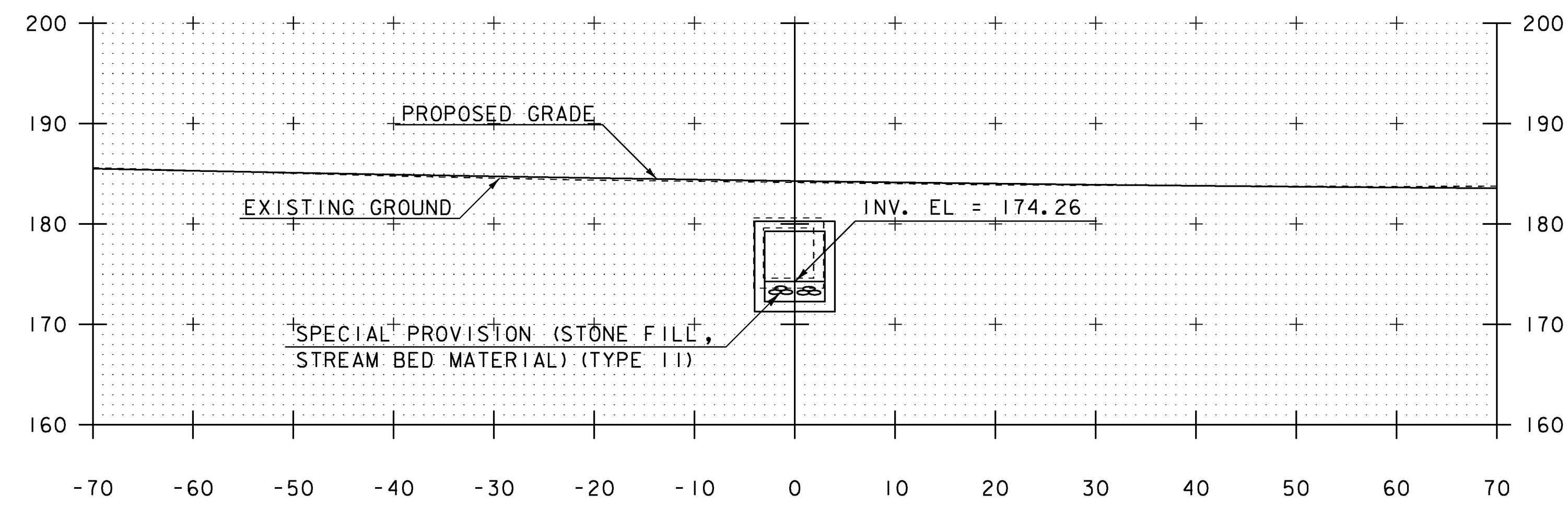


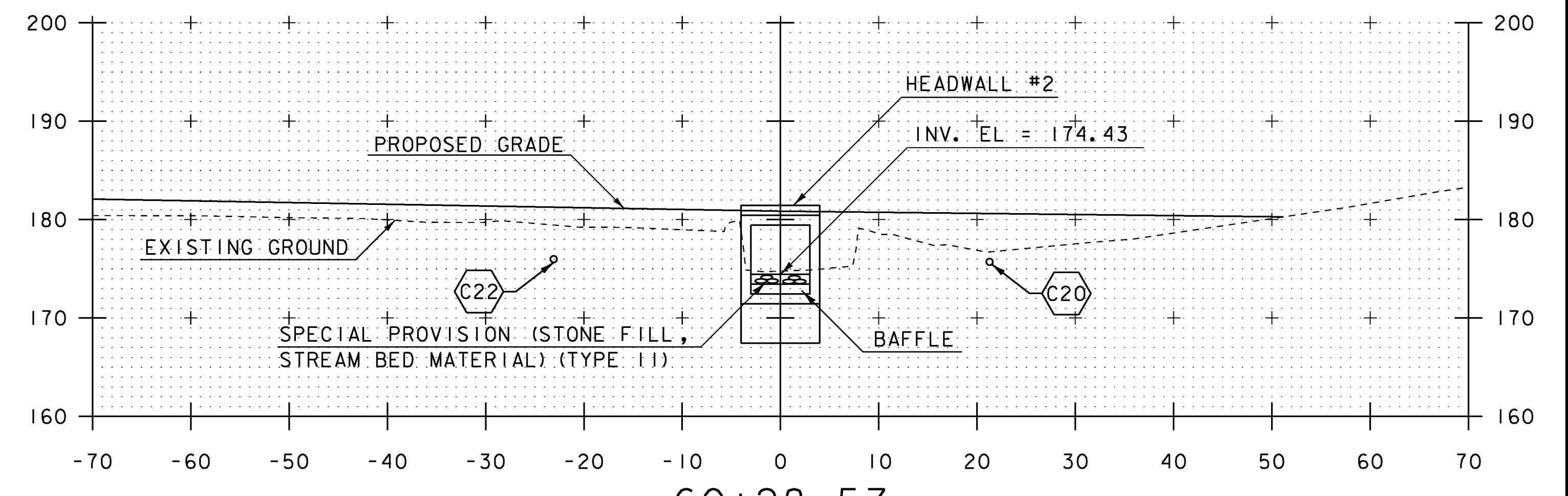
60+10



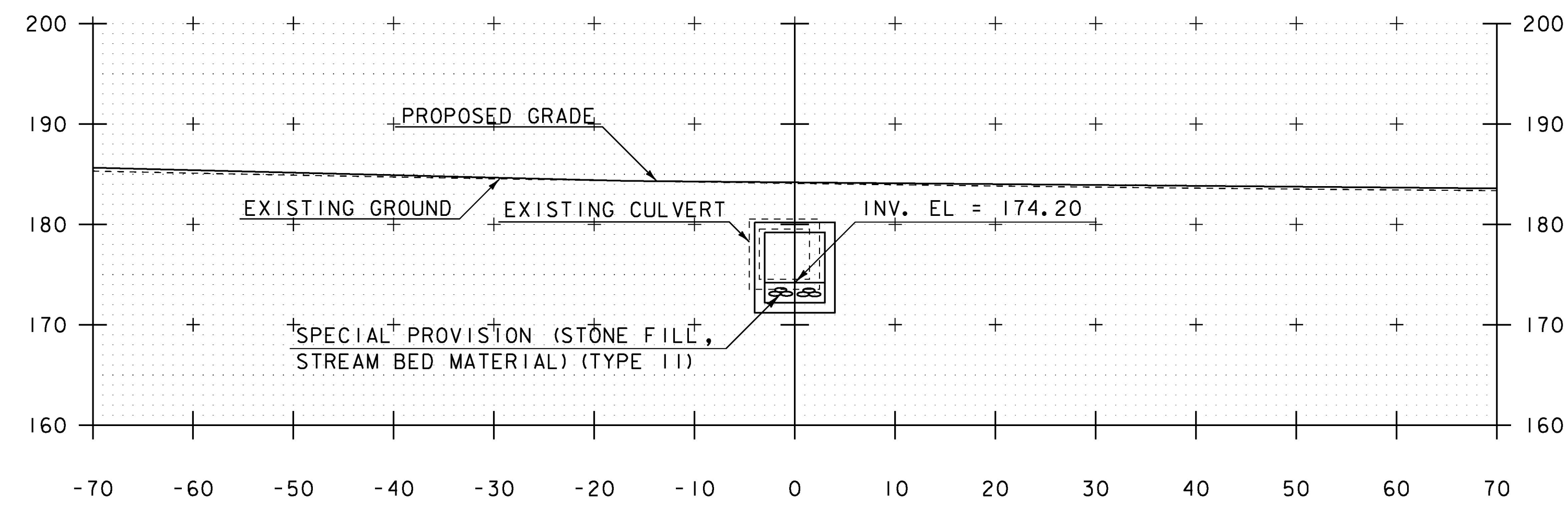
60+30



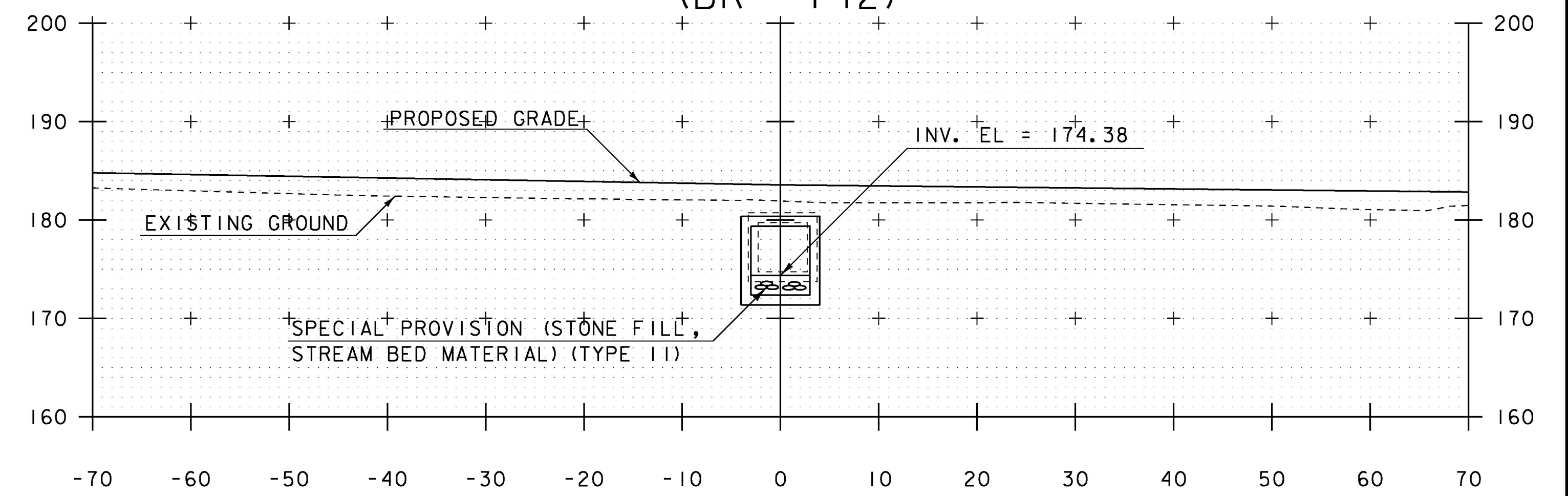
60+00



60+28.57
END BOX CULVERT
(BR #142)



59+90



60+20

PROJECT NAME: CHARLOTTE	
PROJECT NUMBER: F EGC 019-4(20)	
FILE NAME: d78d062_xs.dgn	PLOT DATE: 15-MAR-2016
PROJECT LEADER: K. UPMAL	DRAWN BY: A. AGRAWAL
DESIGNED BY: A. KEMPTON	CHECKED BY: C. LEACH
BR 142 CHANNEL CROSS SECTIONS 2	SHEET 276 OF 499

STA. 59+90 TO STA. 60+30