

## NOTES

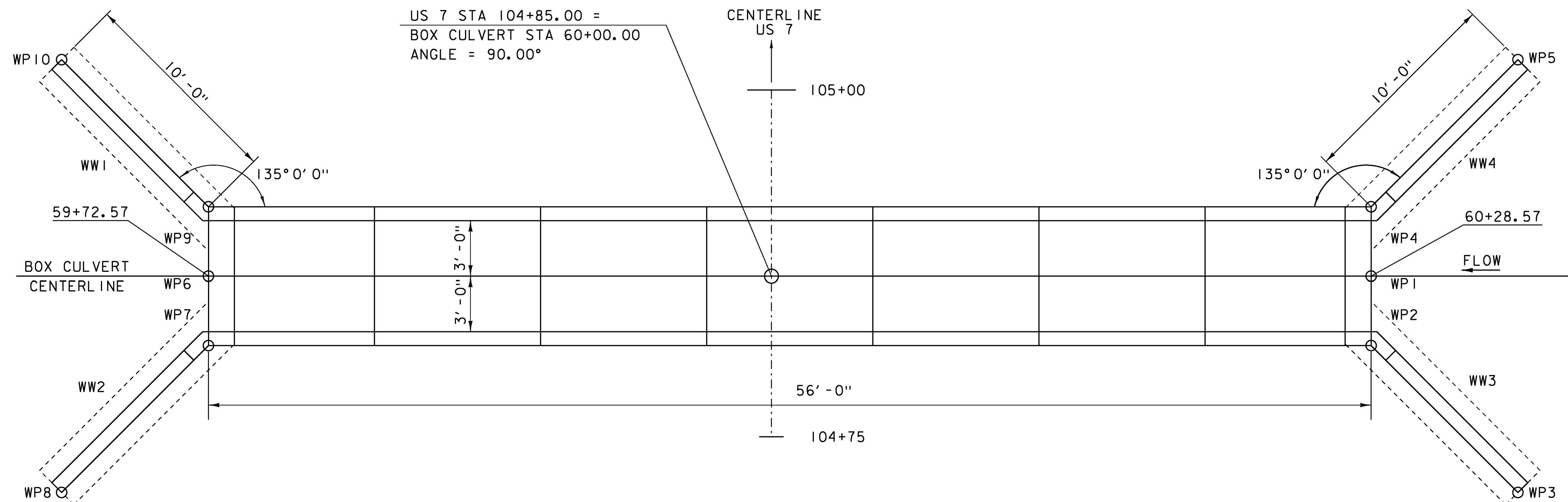
1. DIMENSIONS AND ORIENTATION OF WW1 AND WW2 ARE IDENTICAL.
2. DIMENSIONS AND ORIENTATION OF WW3 AND WW4 ARE IDENTICAL.
3. BOX, WINGWALL, AND FOOTING THICKNESSES ARE SHOWN FOR ILLUSTRATION PURPOSES ONLY. THE ACTUAL THICKNESSES WILL BE DETERMINED BY THE MANUFACTURER.
4. CUT-OFF WALLS SHALL EXTEND A MINIMUM OF 4' BELOW THE BOTTOM OF THE BOX CULVERT.

## WORKING POINTS STATION AND OFFSET

WP#	STATION	OFFSET	NORTHING	EASTING
WP1	50+88.51	N/A	652701.58	1446612.18
WP2	50+88.51	3.67 RT	652698.14	1446613.45
WP3	50+95.58	6.18 RT	652693.97	1446622.54
WP4	50+88.51	3.67 LT	652705.01	1446610.90
WP5	50+95.58	6.18 LT	652714.10	1446615.07
WP6	50+32.51	N/A	652682.09	1446559.66
WP7	50+32.51	3.67 RT	652678.66	1446560.95
WP8	50+26.15	6.18 RT	652669.57	1446556.78
WP9	50+32.51	3.67 LT	652685.55	1446558.43
WP10	50+26.15	6.18 LT	652689.29	1446550.22

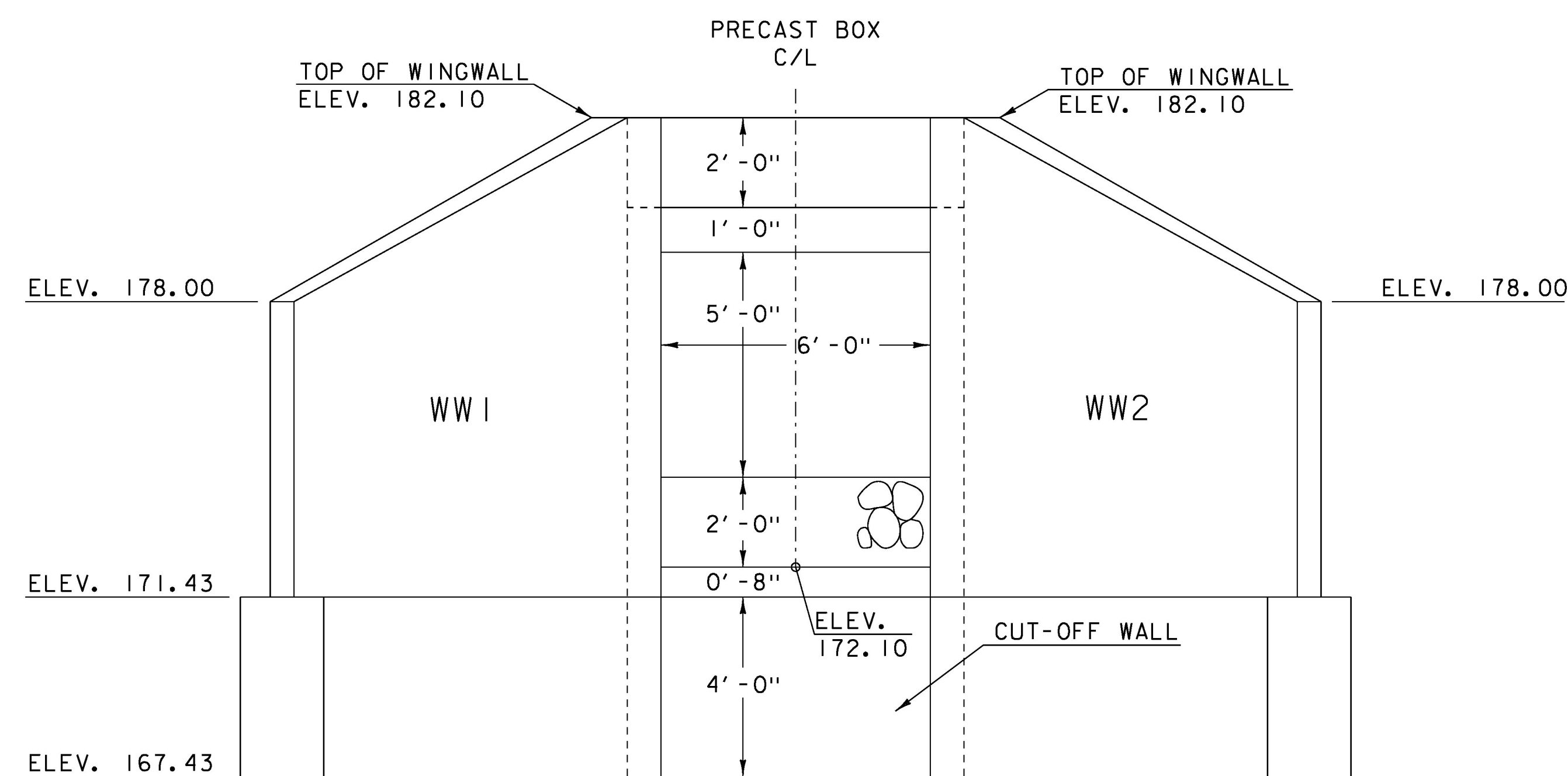
## ALIGNMENT INFORMATION

	STATION	NORTHING	EASTING	BEARING
POB	50+00.00	652670.79	1446529.20	
POE	51+20.00	652712.53	1446641.70	N 69°38'40.99 E



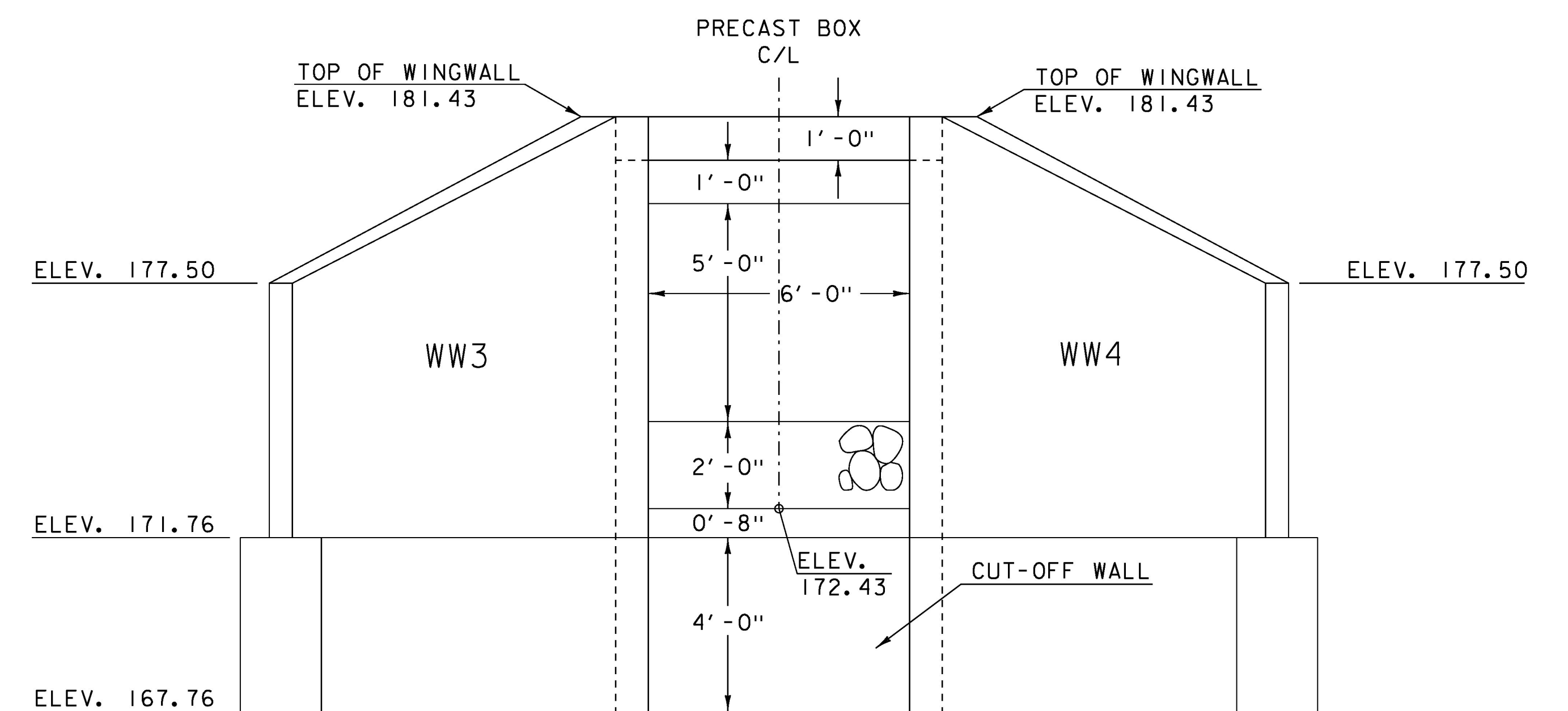
## PRE-CAST BOX CULVERT LAYOUT

NOT TO SCALE



## PRE-CAST BOX CULVERT OUTLET ELEVATION

NOT TO SCALE



## PRE-CAST BOX CULVERT INLET ELEVATION

NOT TO SCALE

PROJECT NAME: CHARLOTTE

PROJECT NUMBER: F EGC 019-4(20)

FILE NAME: d78d062\_typ.dgn

PROJECT LEADER: K. UPMAL

DESIGNED BY: B. KIPP

BRIDGE 142 DETAILS SHEET

PLOT DATE: 15-MAR-2016

DRAWN BY: N. PAPPAS

CHECKED BY: A. KEMPTON

SHEET 274 OF 499