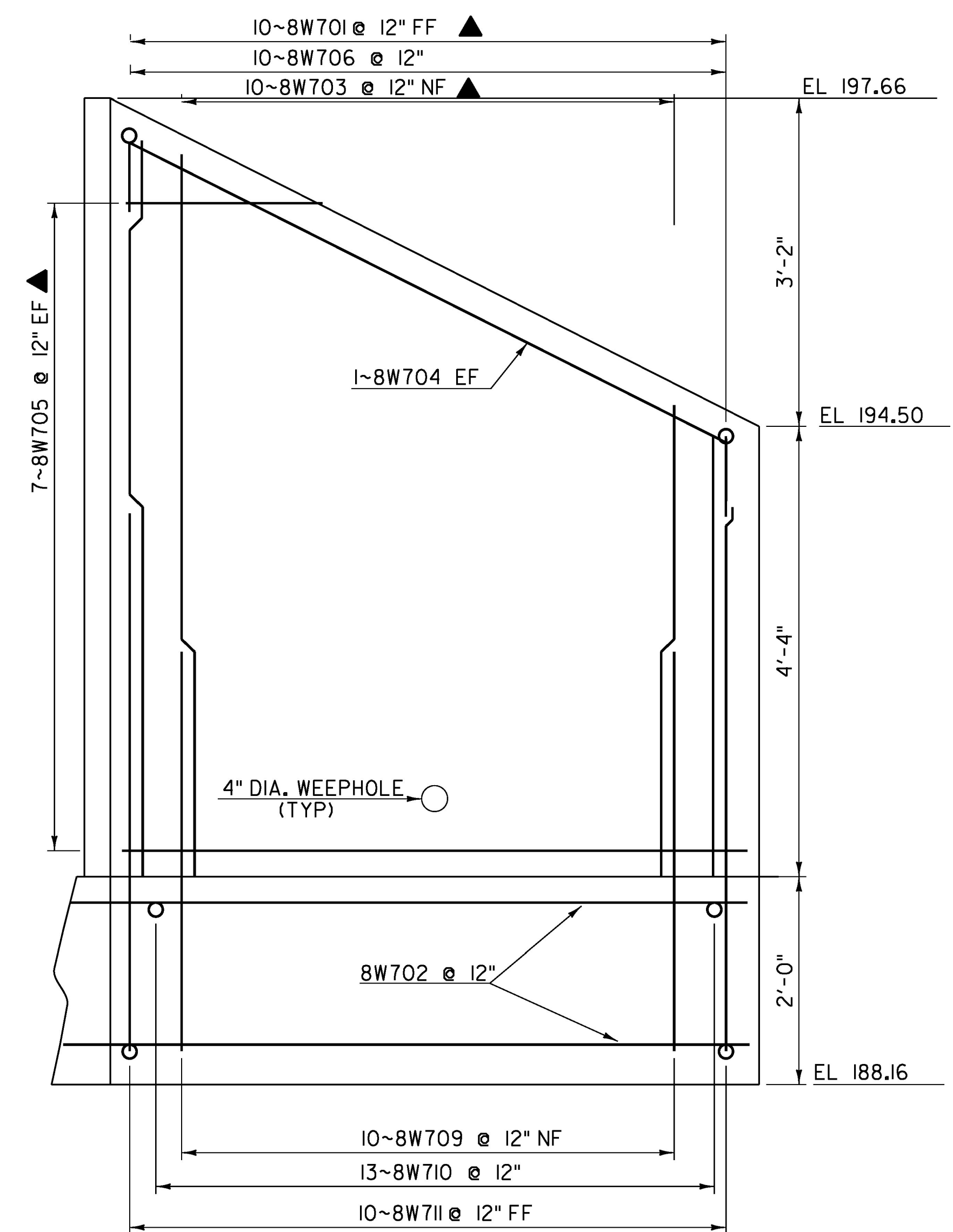
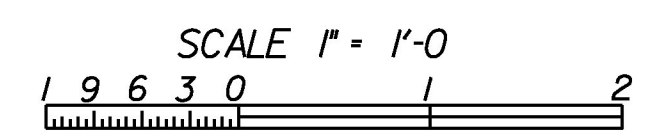
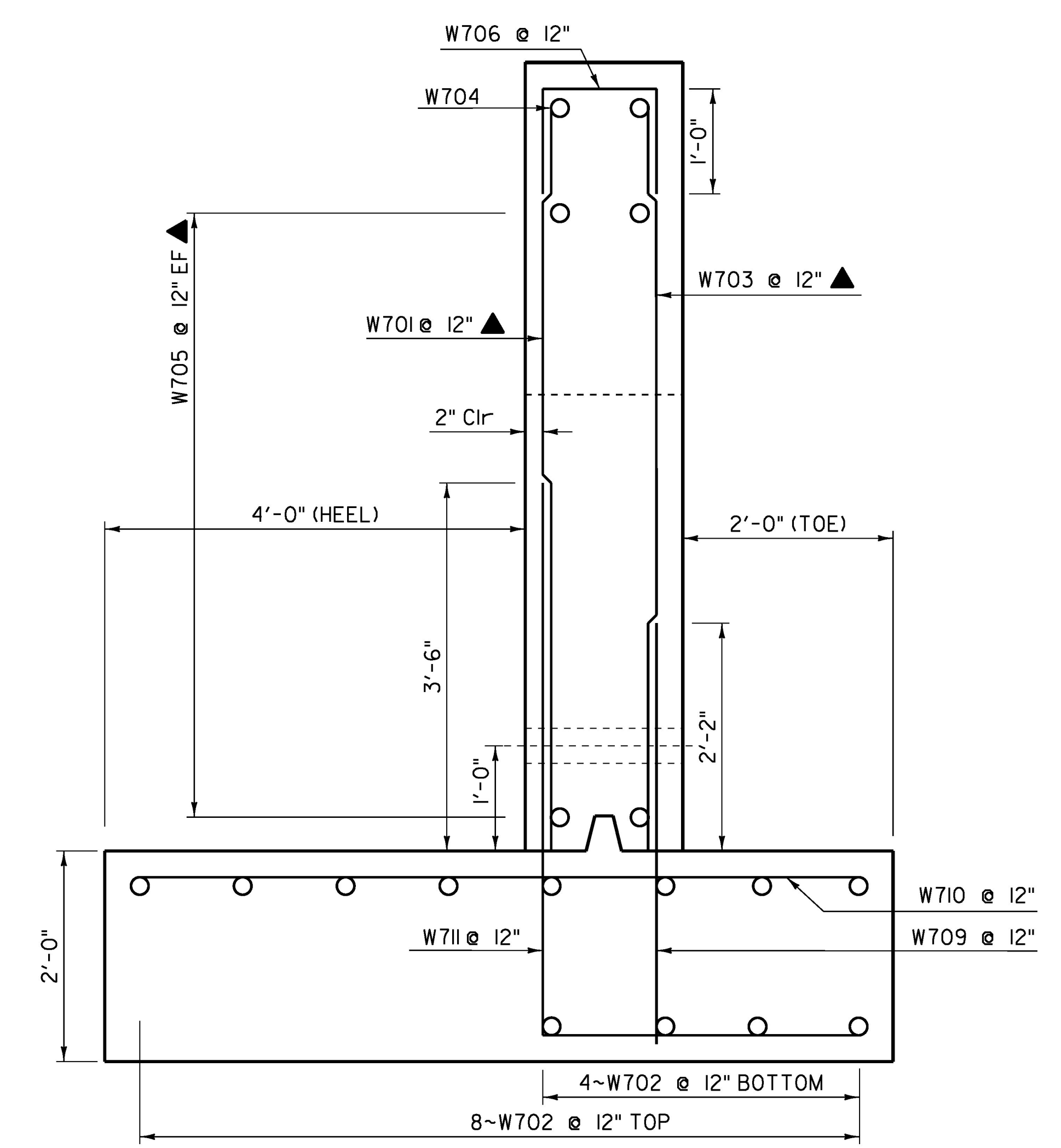
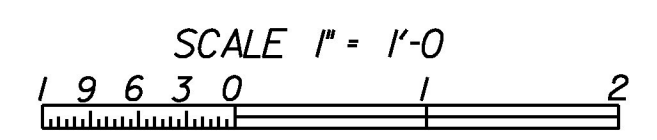


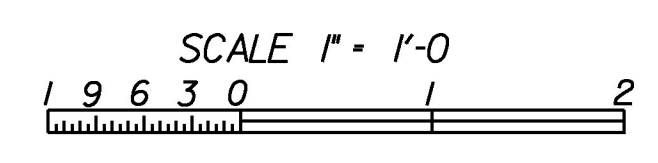
WINGWALL #3



WINGWALL #4



TYPICAL WINGWALL SECTION



NOTE:
 NF = NEAR FACE
 FF = FAR FACE
 EF = EACH FACE
 ▲ = CUT TO FIT IN FIELD
 3" CLR. UNLESS OTHERWISE SPECIFIED ON THE PLANS.

PROJECT NAME: CHARLOTTE	PLOT DATE: 15-MAR-2016
PROJECT NUMBER: F EGC 019-4(20)	DRAWN BY: M. BOOKER
FILE NAME: d78d062_typ.dgn	CHECKED BY: C. LEACH
DESIGNED BY: A. KEMPTON	STA 93+58 INLET WINGWALL DETAILS SHEET SHEET 269 OF 499