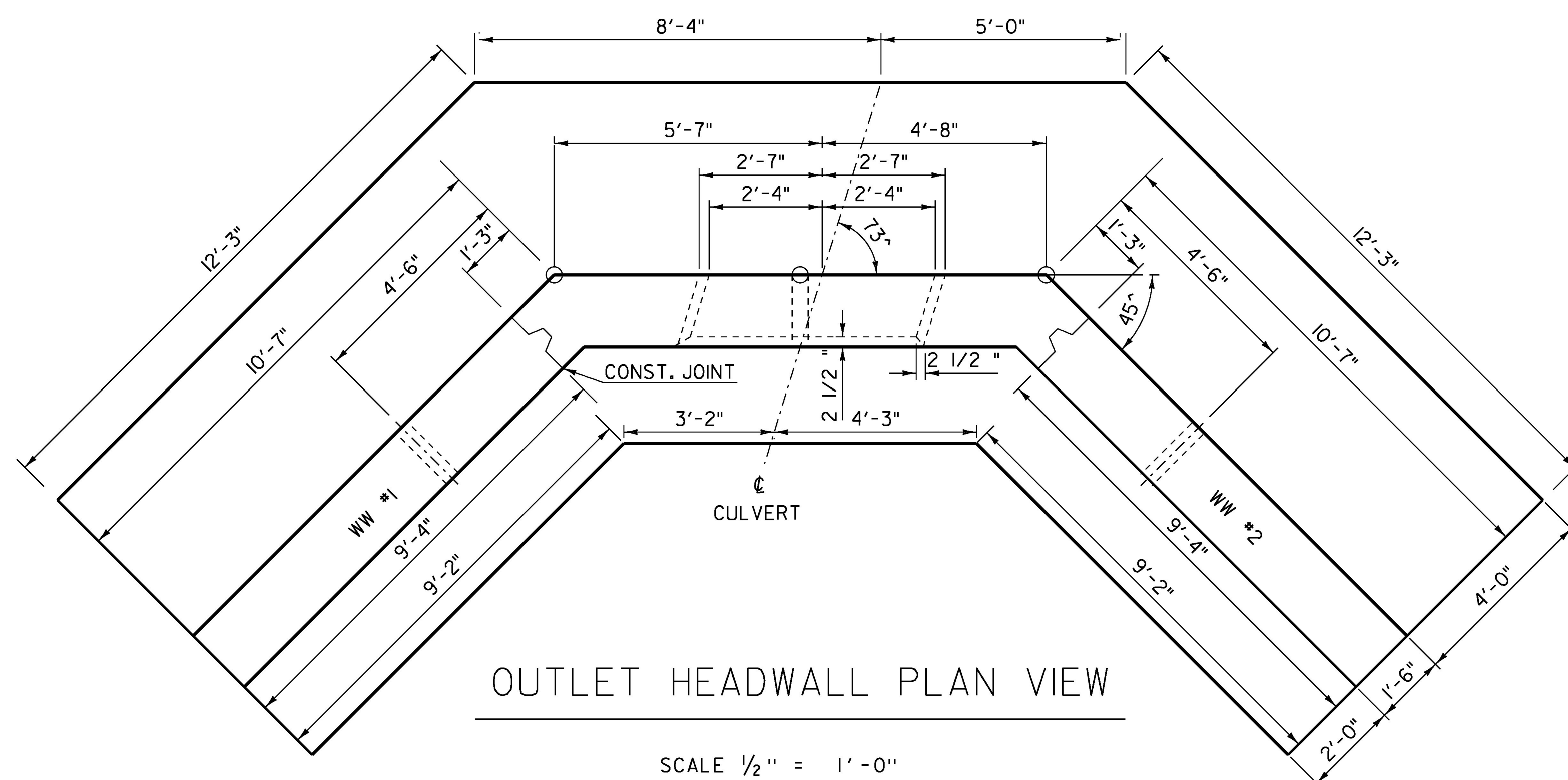


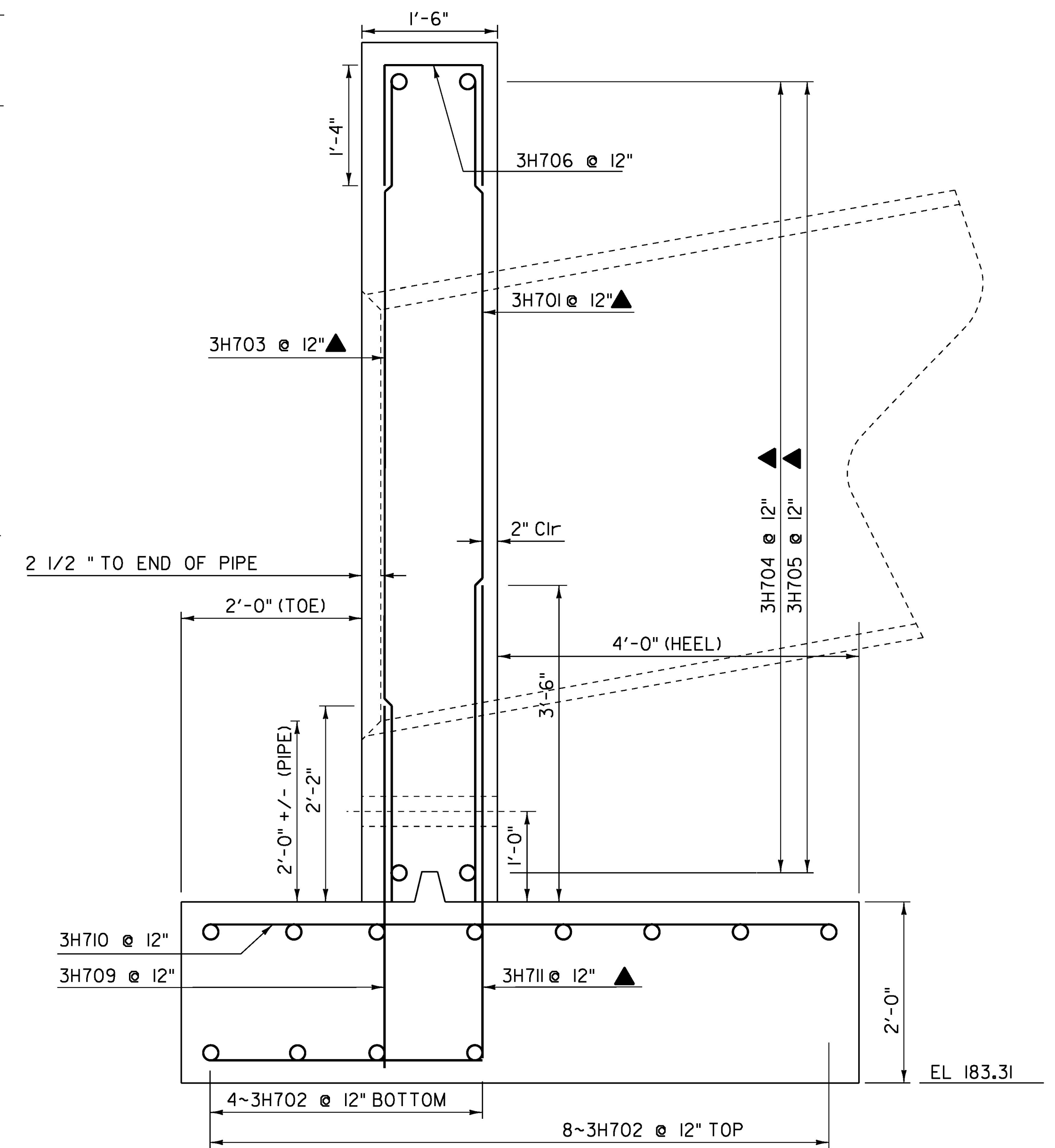
OUTLET HEADWALL ELEVATION VIEW

SCALE 1/2" = 1'-0"



OUTLET HEADWALL PLAN VIEW

SCALE 1/2" = 1'-0"



OUTLET HEADWALL SECTION

SCALE 1" = 1'-0"

**NOTE:**

- NF = NEAR FACE
- FF = FAR FACE
- EF = EACH FACE
- ▲ = CUT TO FIT IN FIELD
- 3" CLR. UNLESS OTHERWISE SPECIFIED ON THE PLANS.

PROJECT NAME: CHARLOTTE	PLOT DATE: 15-MAR-2016
PROJECT NUMBER: F EGC 019-4(20)	DRAWN BY: M. BOOKER
FILE NAME: d78d062.typ.dgn	CHECKED BY: C. LEACH
DESIGNED BY: A. KEMPTON	STA 93+58 OUTLET HEADWALL DETAILS SHEET SHEET 264 OF 499