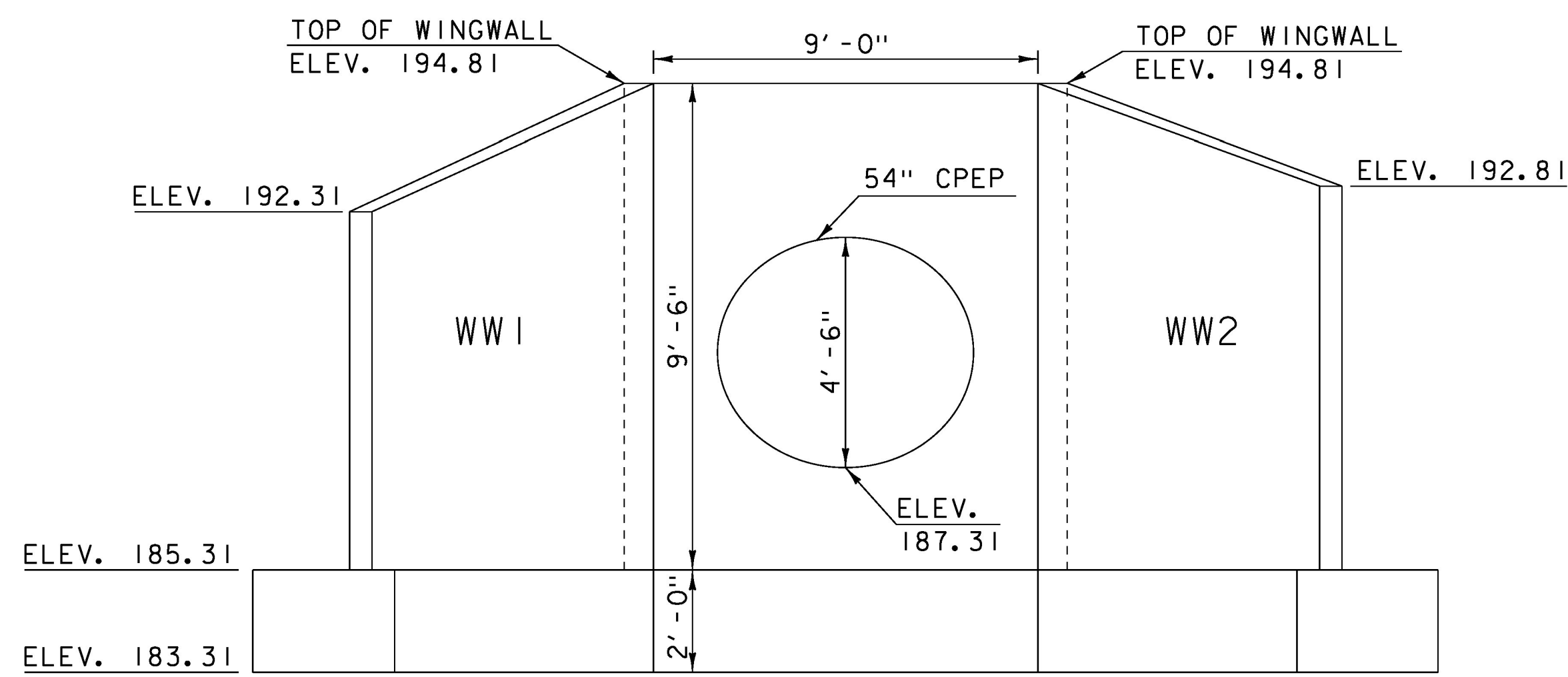
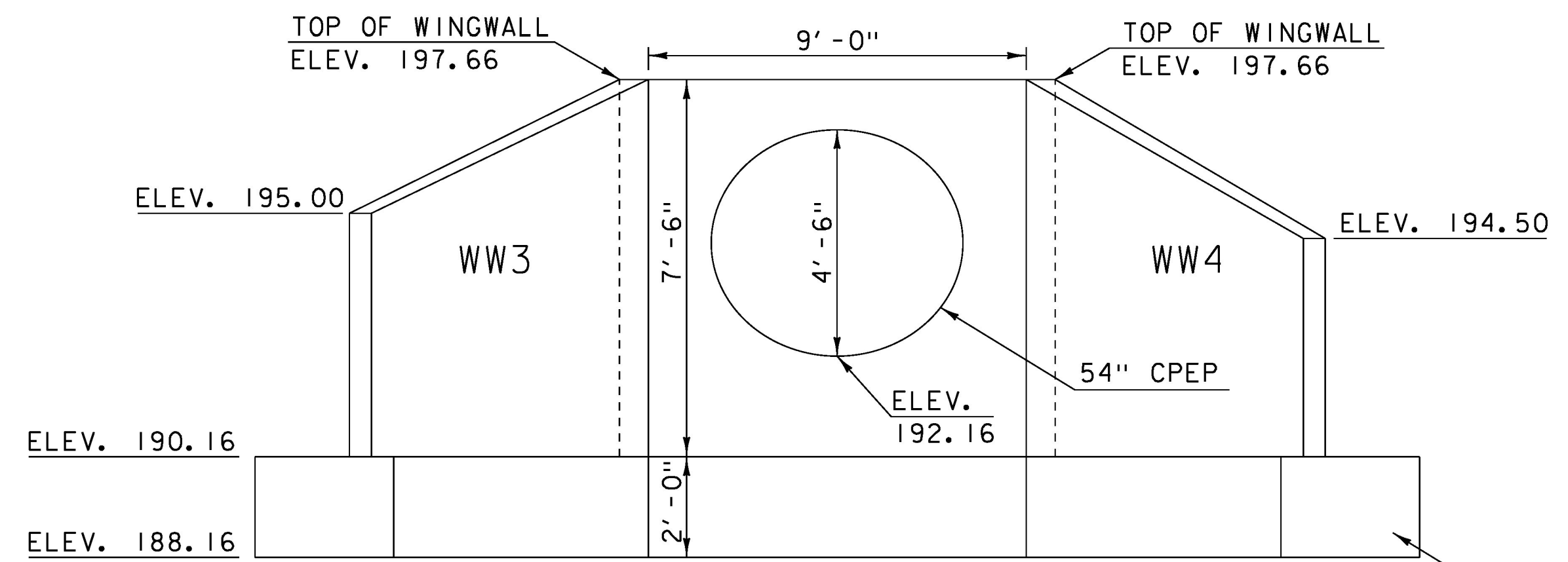


**PIPE
HEADWALL/WINGWALL
LAYOUT**
NOT TO SCALE



**PIPE
OUTLET ELEVATION**
NOT TO SCALE



**PIPE
INLET ELEVATION**
NOT TO SCALE

CAST-IN-PLACE
CONCRETE, CLASS B (TYP.)

PROJECT NAME:	CHARLOTTE
PROJECT NUMBER:	F EGC 019-4(20)
FILE NAME:	d78d062.typ.dgn
PROJECT LEADER:	K. UPMAL
DESIGNED BY:	A. KEMPTON
STA 93+58 HEADWALL LAYOUT SHEET	
PLOT DATE:	15-MAR-2016
DRAWN BY:	A. KEMPTON
CHECKED BY:	C. LEACH
SHEET	263 OF 499