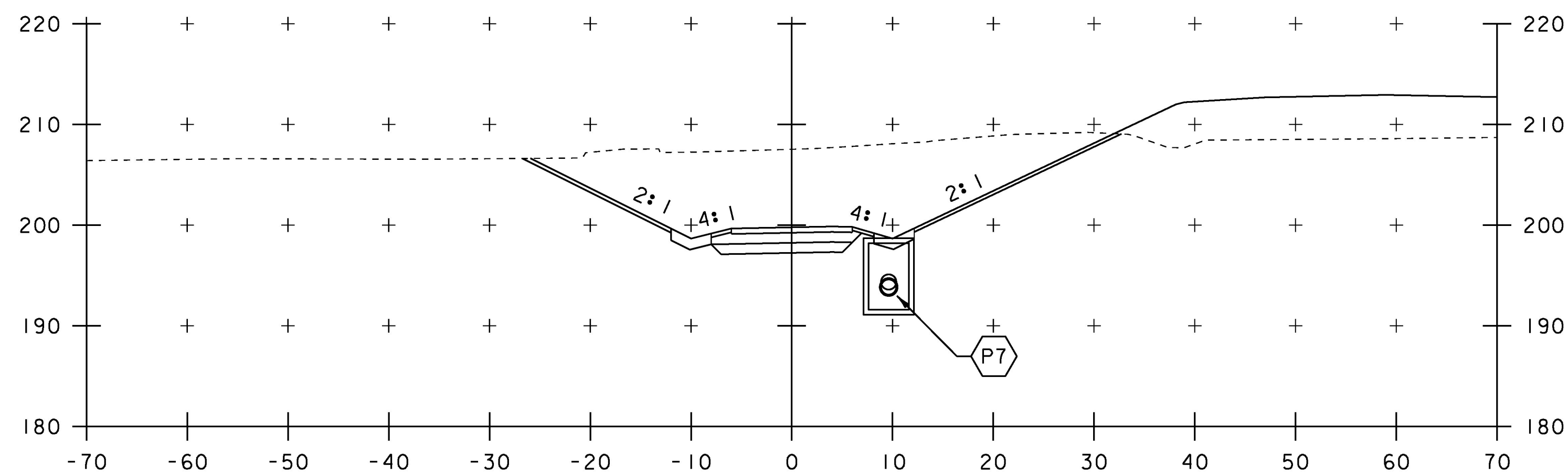
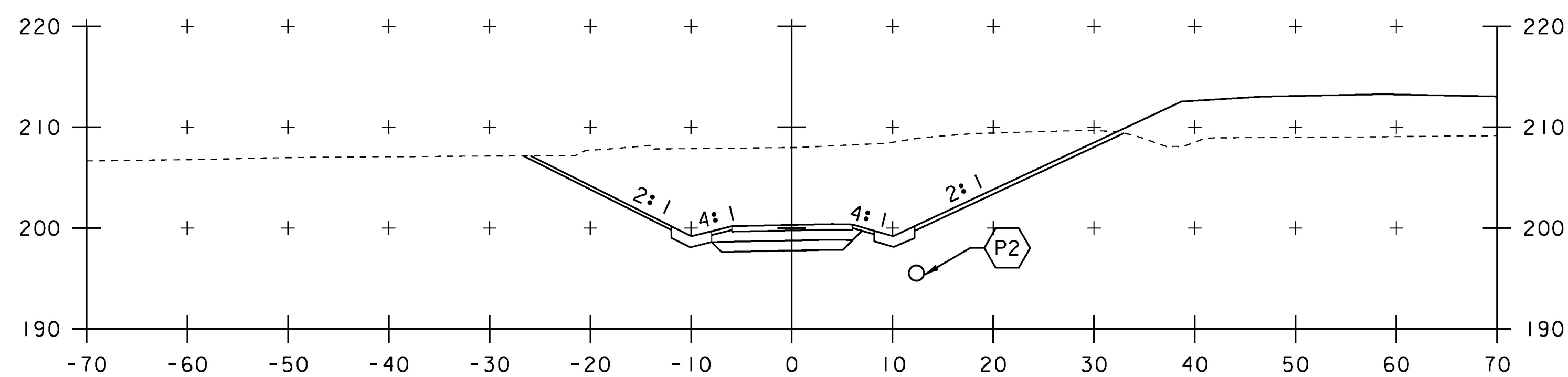


12+50



12+00



11+87

NOTE: SEE PROFILE FOR FINISH GRADE.

PROJECT NAME:	CHARLOTTE
PROJECT NUMBER:	F EGC 019-4(20)
FILE NAME:	z78d062_Pathxs.dgn
PROJECT LEADER:	G. BOGUE
DESIGNED BY:	T. KNIGHT
PATH CROSS SECTIONS 3	
PLOT DATE:	15-MAR-2016
DRAWN BY:	L. BUXTON
CHECKED BY:	G. BOGUE
SHEET	260 OF 499

STA. 11+87 TO STA. 12+50

