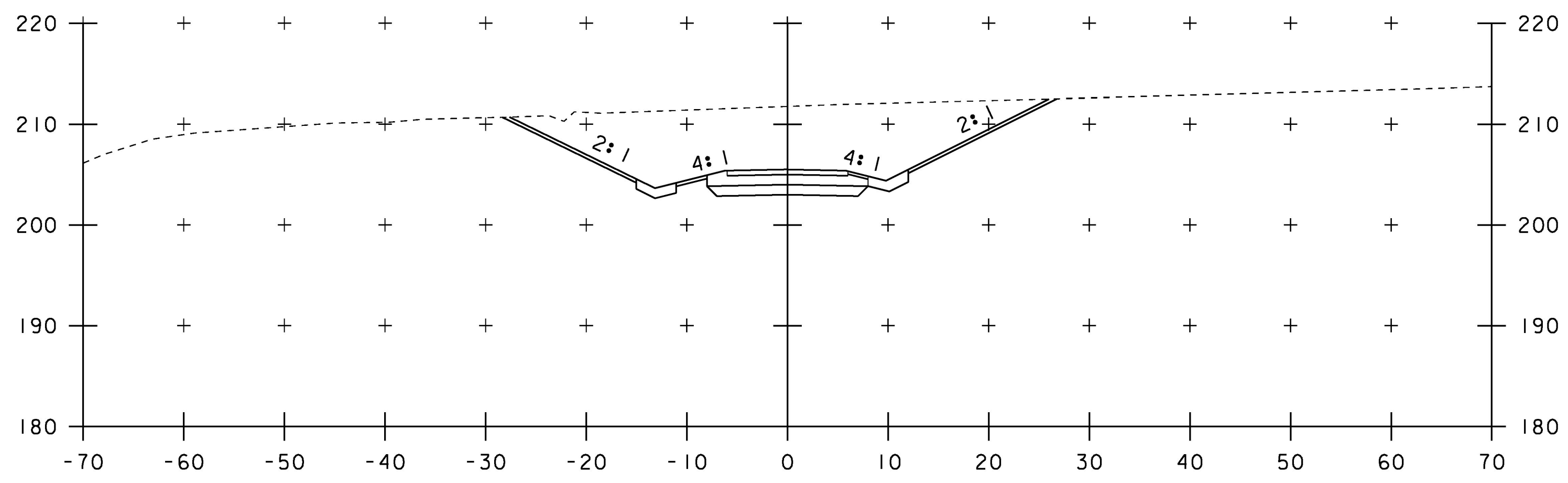
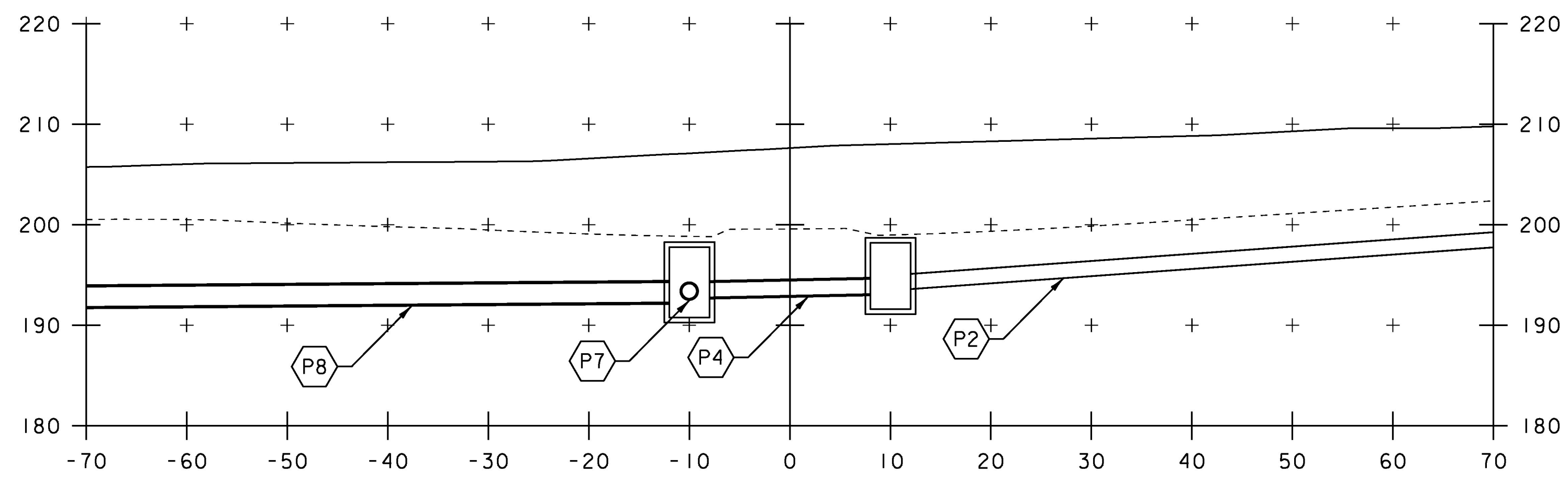


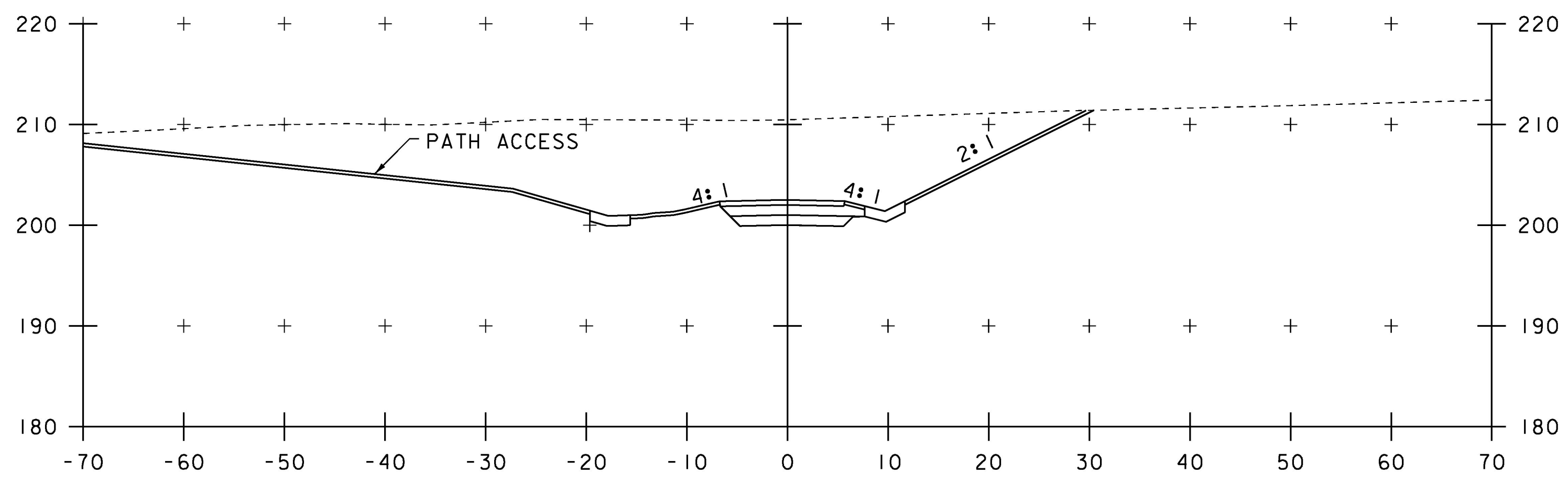
3+00



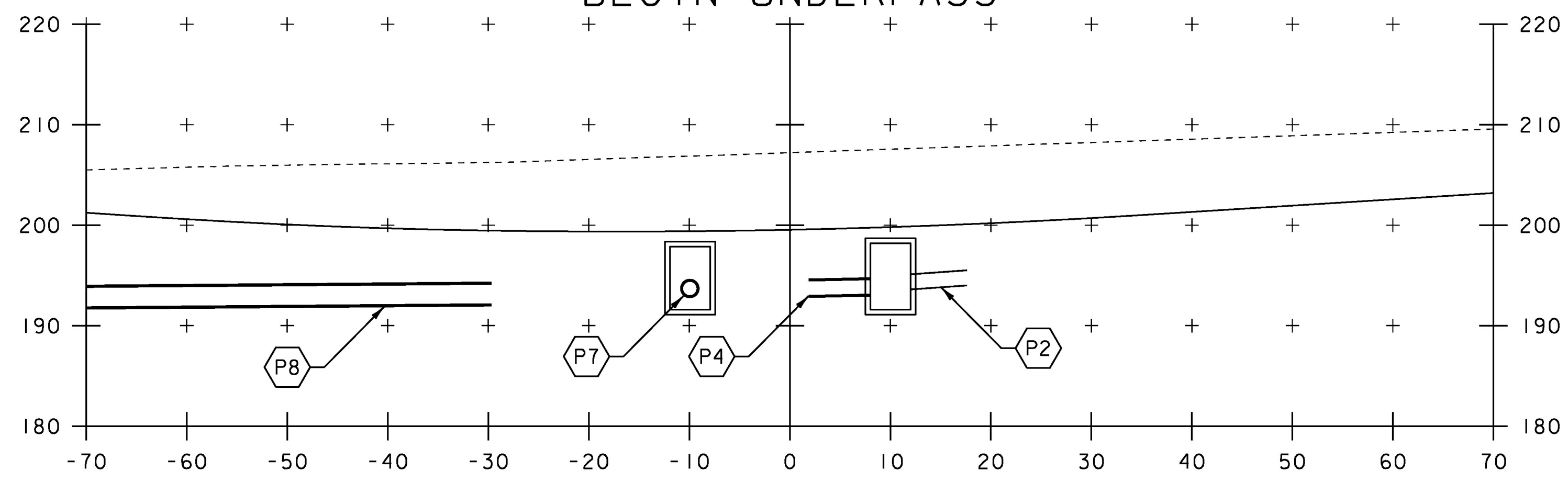
4+50



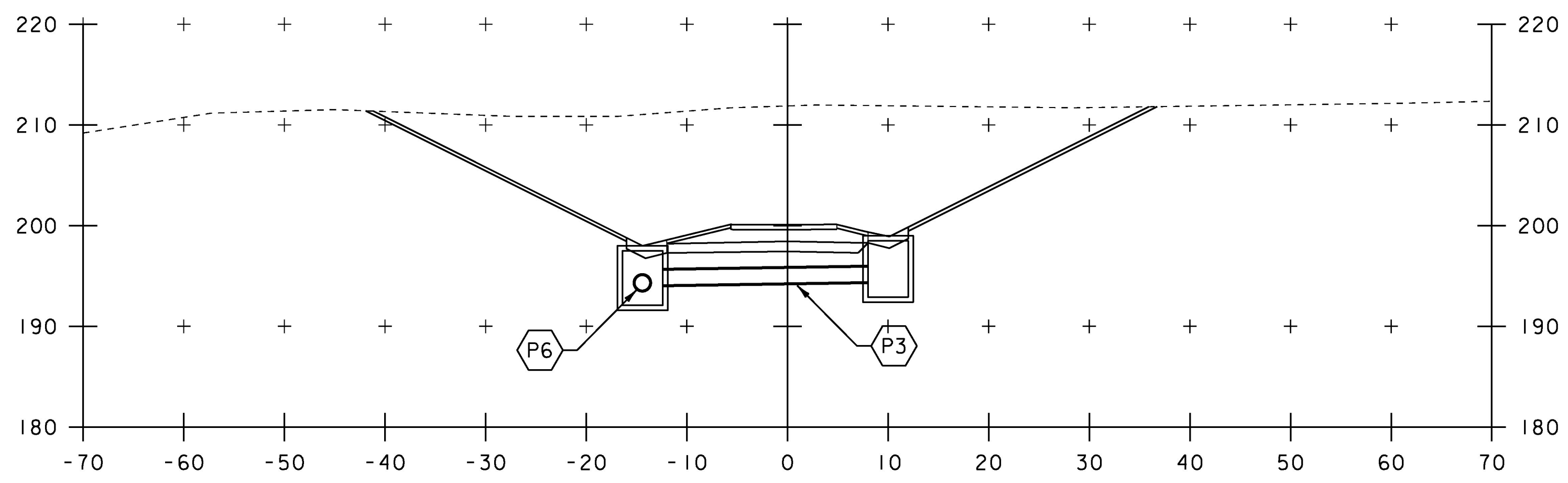
2+50  
2+53  
BEGIN UNDERPASS



4+00



2+41



3+50

3+47 END UNDERPASS  
NOTE: SEE PROFILE FOR FINISH GRADE.

STA. 2+41 TO STA. 4+50



PROJECT NAME:	CHARLOTTE	PLOT DATE:	15-MAR-2016
PROJECT NUMBER:	F EGC 019-4(20)	DRAWN BY:	L. BUXTON
FILE NAME:	z78d062_Pathxs.dgn	DESIGNED BY:	T. KNIGHT
PROJECT LEADER:	G. BOGUE	CHECKED BY:	G. BOGUE
PATH CROSS SECTIONS I		SHEET	258 OF 499