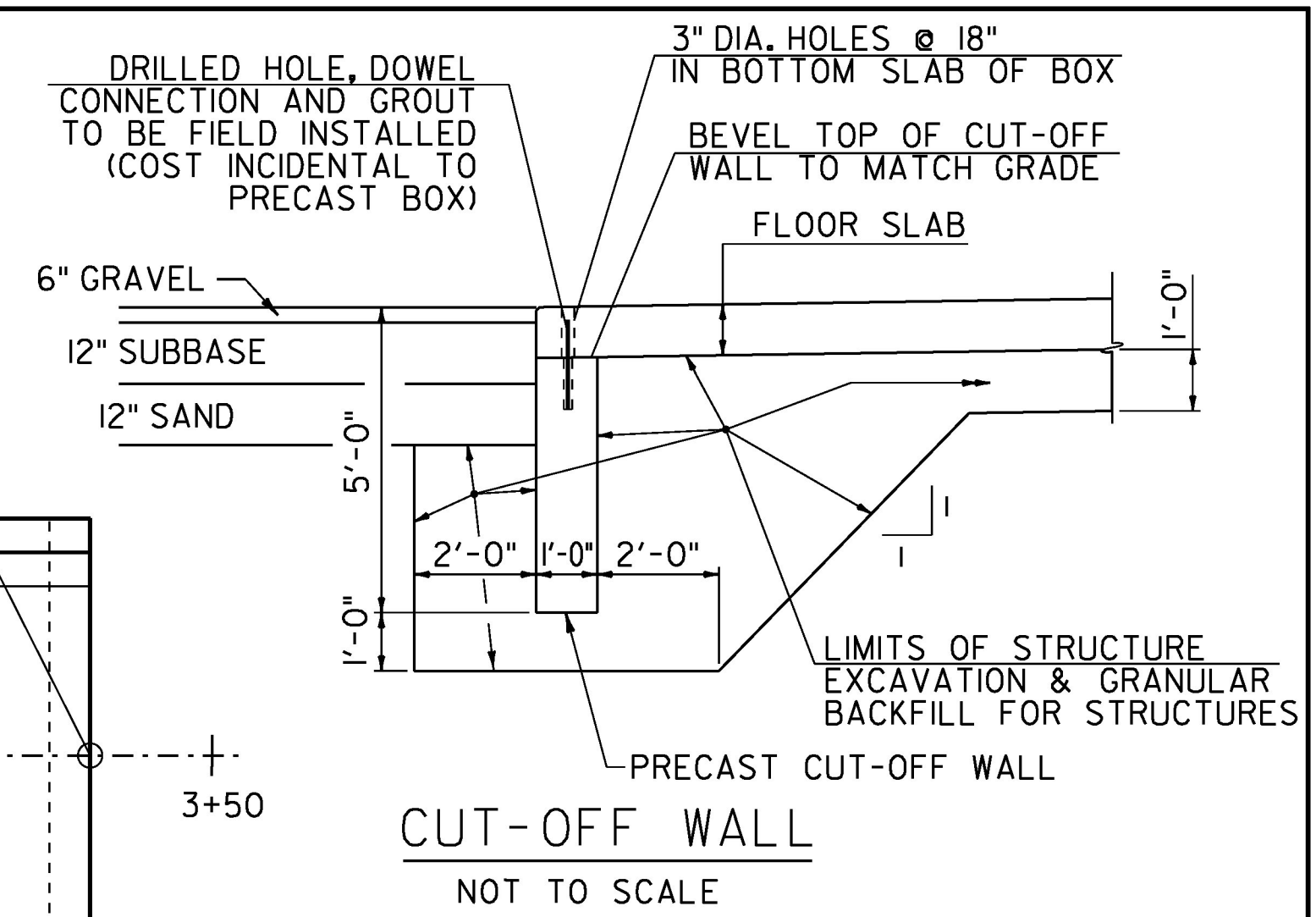
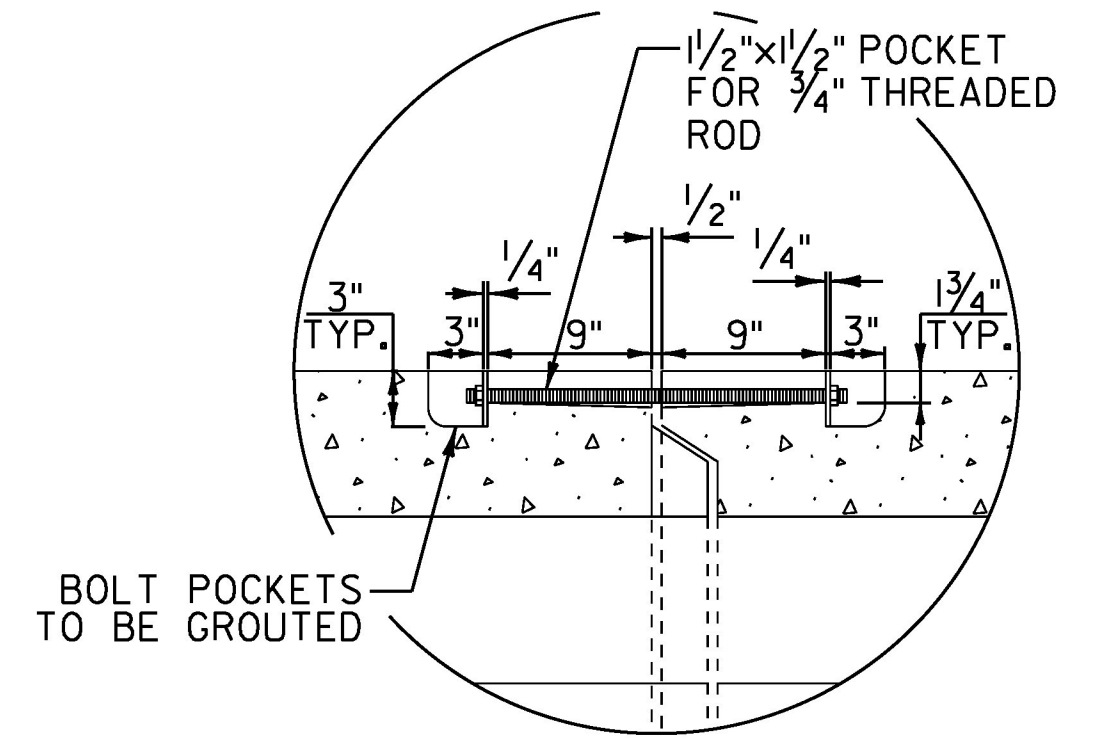


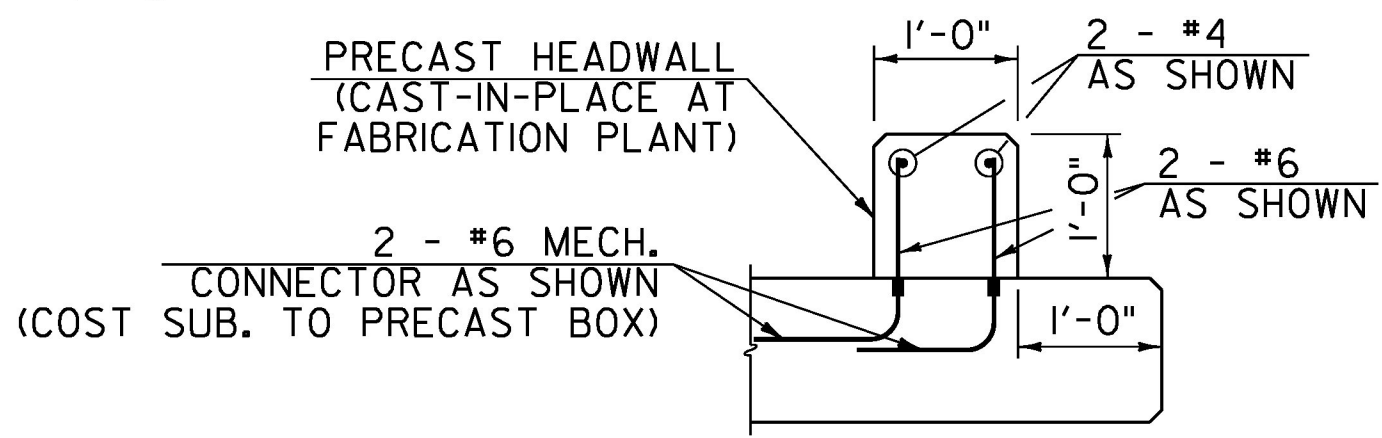
BOX CULVERT LAYOUT
SCALE: 1/4" = 1'-0"



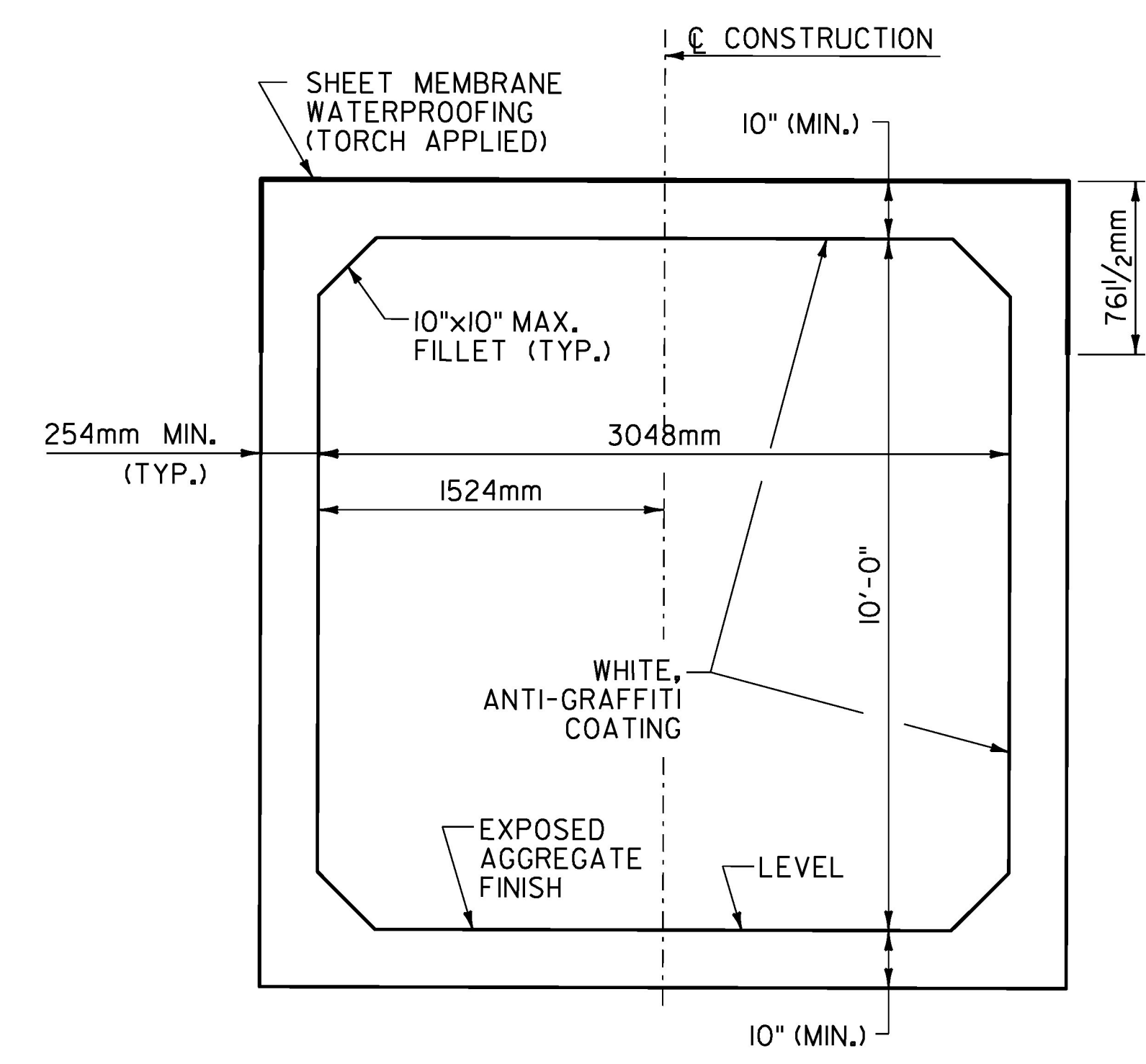
CUT-OFF WALL
NOT TO SCALE



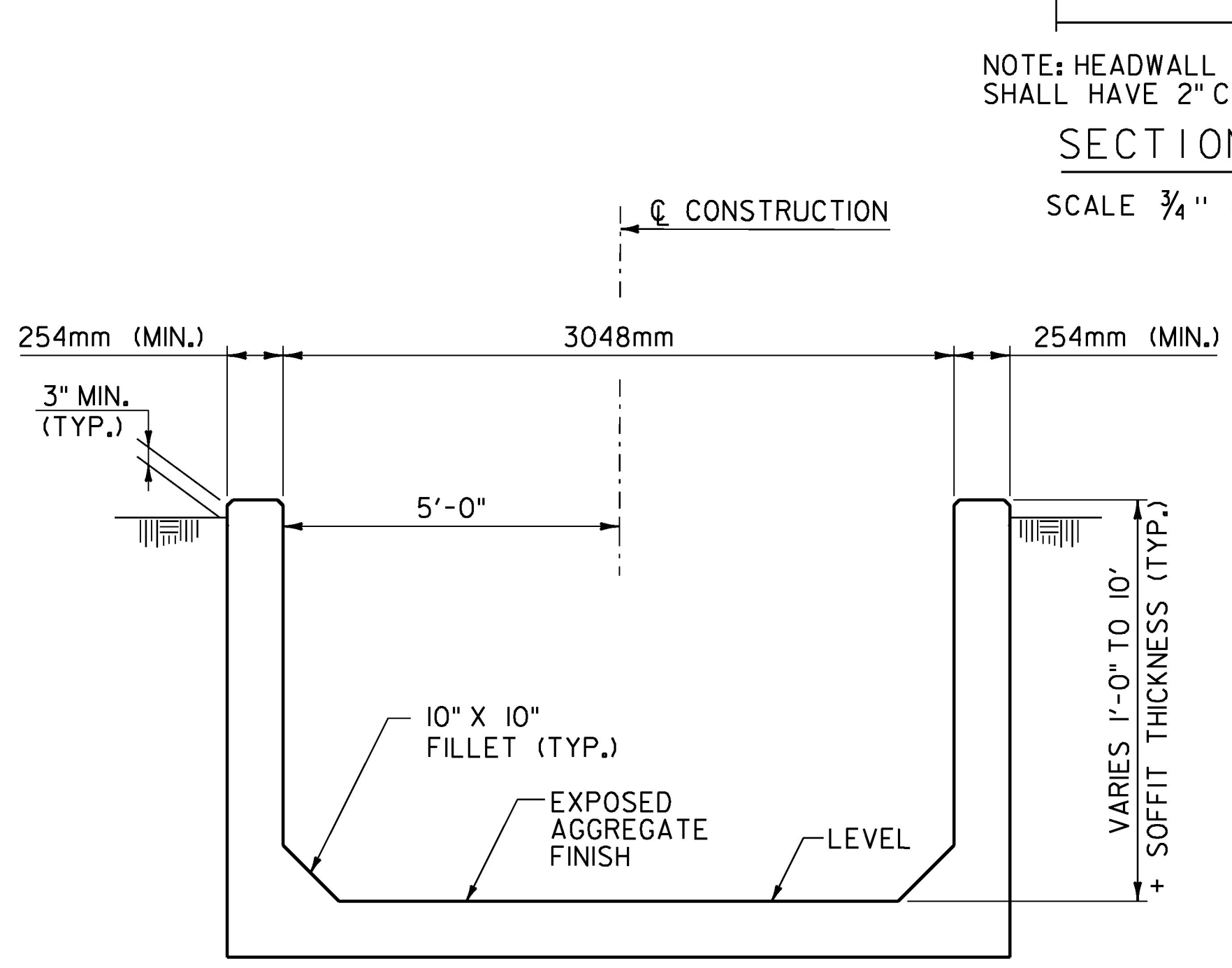
PERMANENT CLOSURE DETAIL
NOT TO SCALE



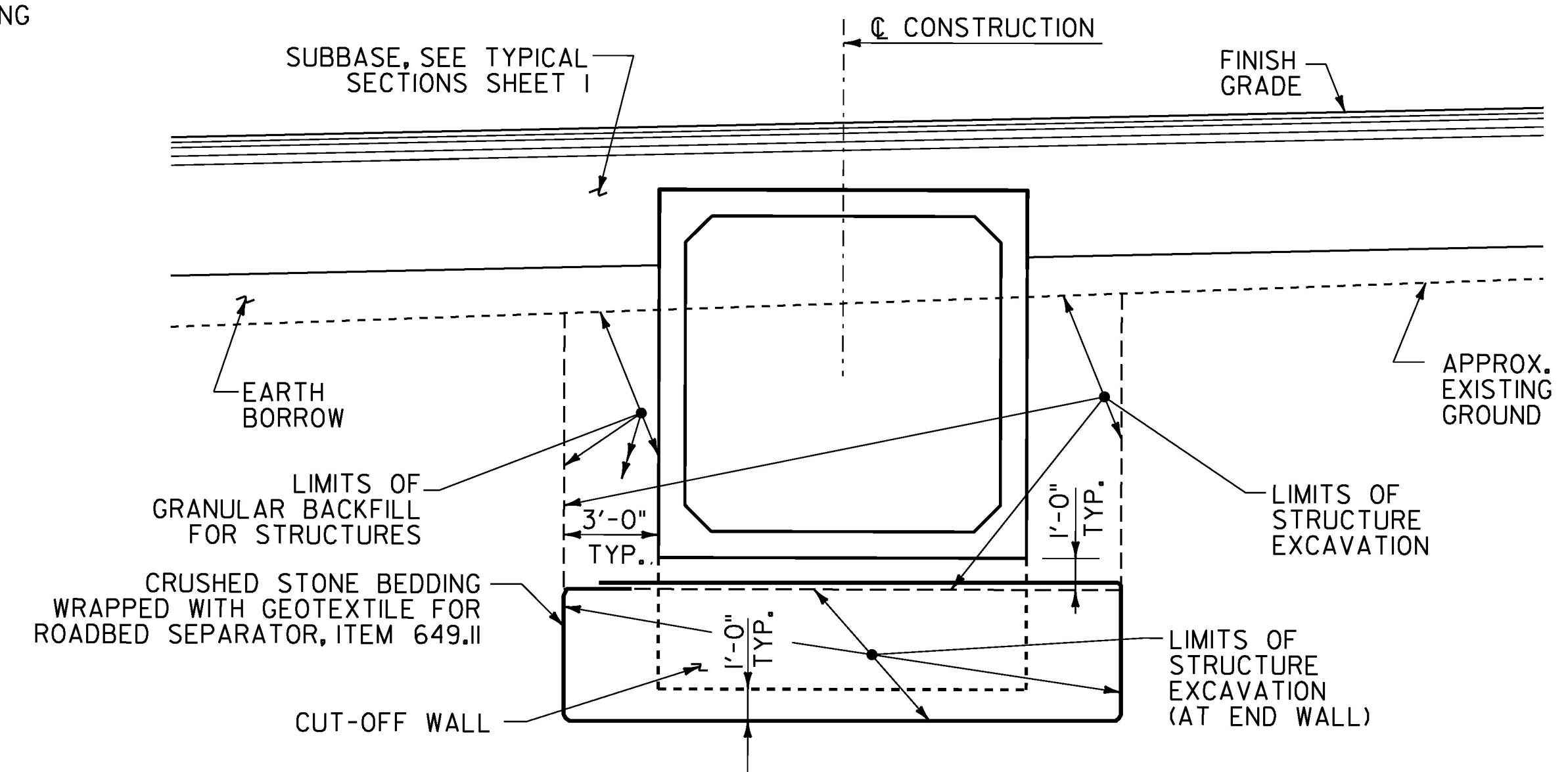
SECTION C-C
SCALE: 3/4" = 1'-0"



PRECAST CONCRETE BOX CULVERT TYPICAL SECTION
SCALE: 1/2" = 1'-0"



SECTION B-B
SCALE: 1/2" = 1'-0"



TYPICAL EARTHWORK SECTION
SCALE: 1/4" = 1'-0"

PROJECT NAME: CHARLOTTE	PLOT DATE: 15-MAR-2016
PROJECT NUMBER: F EGC 019-4(20)	DRAWN BY: L. BUXTON
FILE NAME: z78d062_BoxDets.dgn	DESIGNED BY: T. KNIGHT
PROJECT LEADER: G. BOGUE	CHECKED BY: G. BOGUE
BRIDGE 141A DETAILS SHEET	SHEET 252 OF 499

