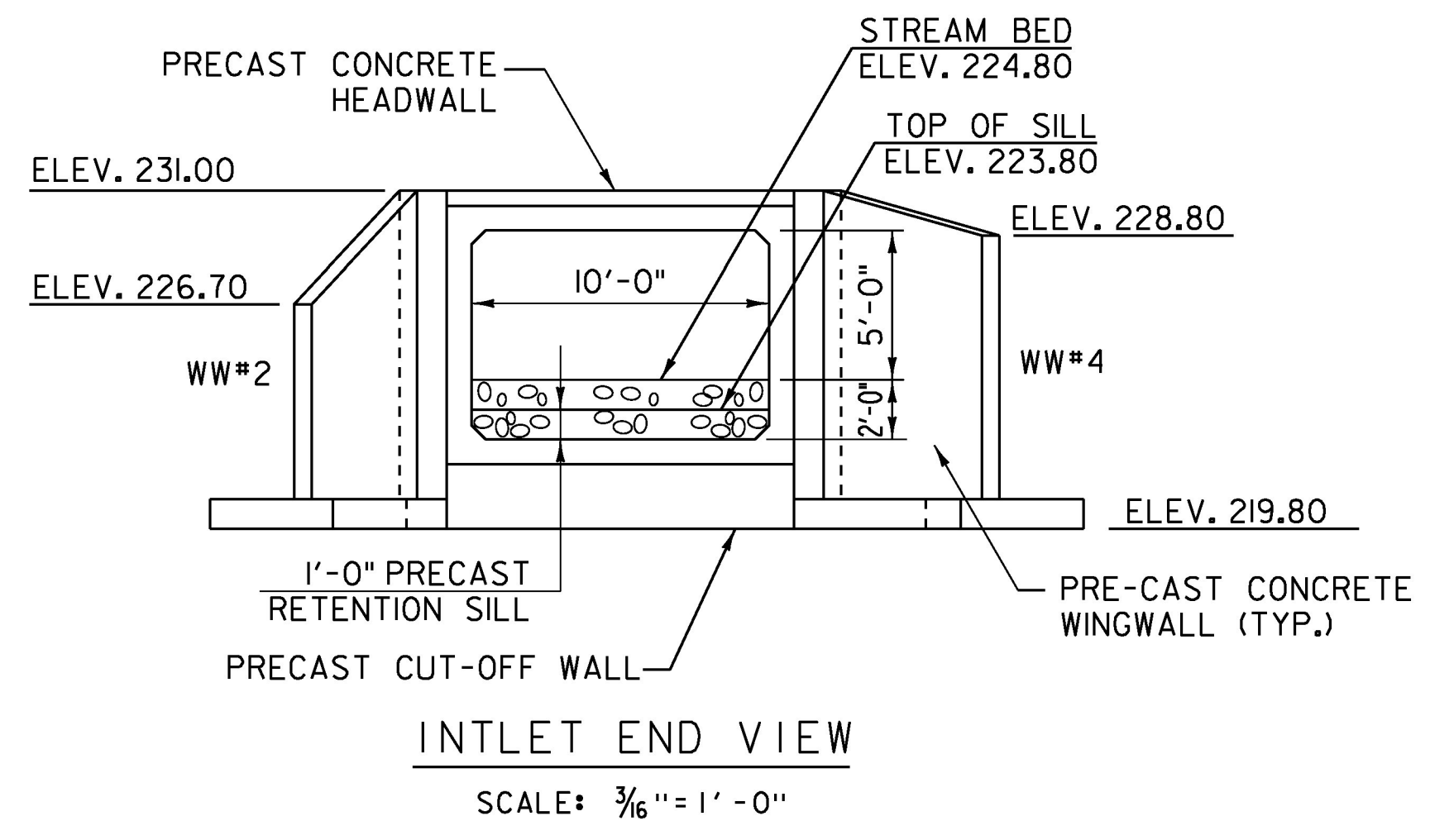
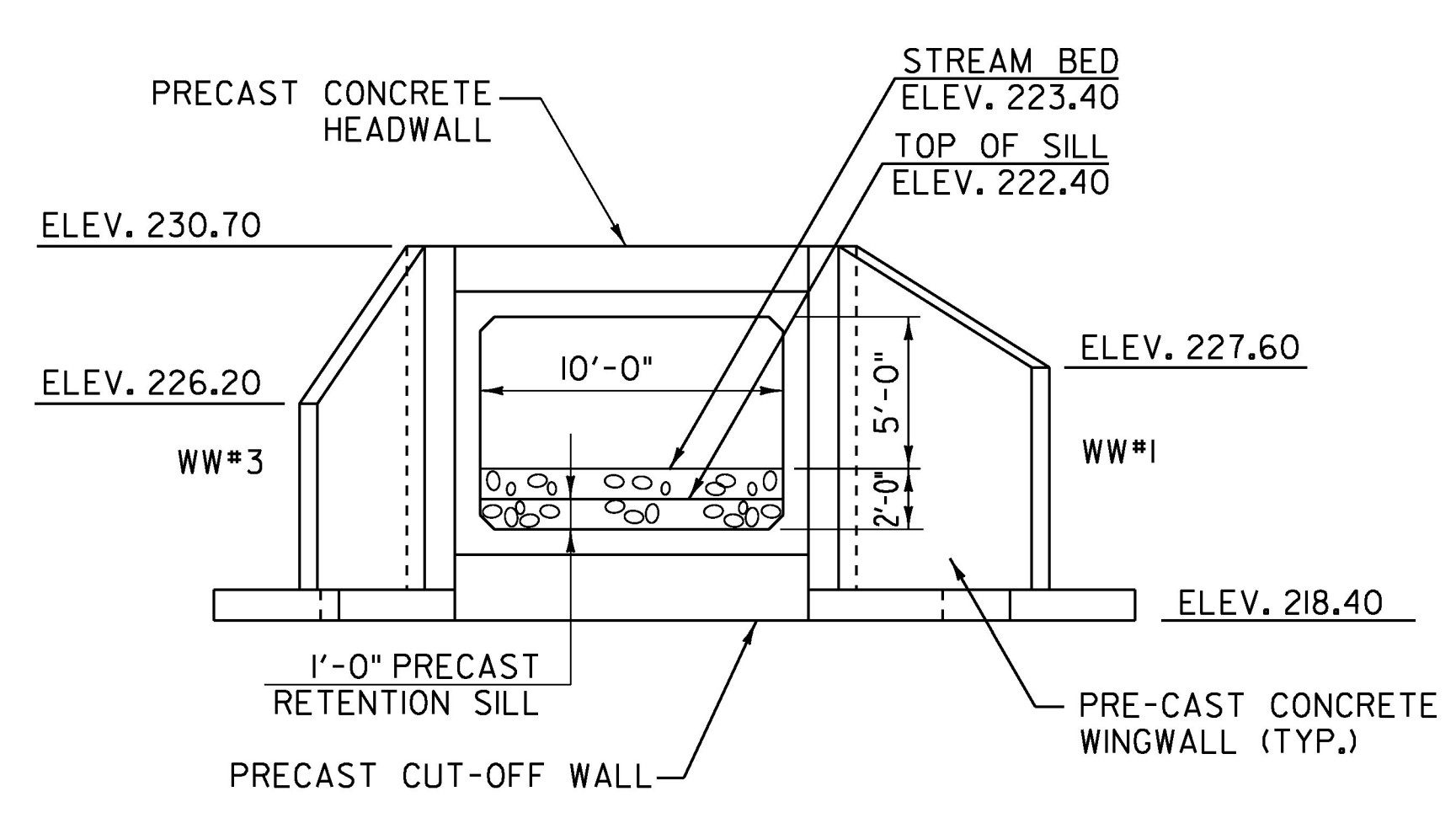


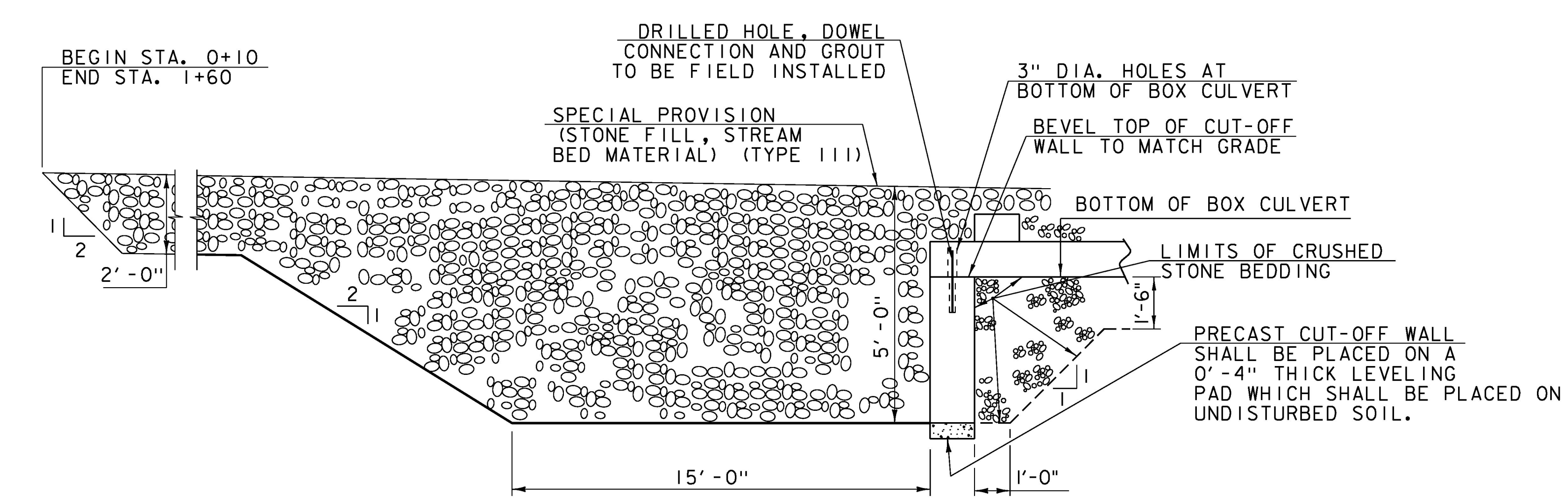
**PRE-CAST BOX LAYOUT DETAIL**  
 SCALE: 1/4" = 1'-0"  
 \* INDICATES DIMENSION PER SUPPLIER



**INLET END VIEW**  
 SCALE: 3/16" = 1'-0"



**OUTLET END VIEW**  
 SCALE: 3/16" = 1'-0"



**CUT-OFF WALL DETAIL & BED MATERIAL TRANSITION**  
 NOT TO SCALE

NOTE: ROADWAY SECTION SEE SHEET 230 - BR 140

PROJECT NAME: CHARLOTTE	PLOT DATE: 15-MAR-2016
PROJECT NUMBER: F EGC 019-4(20)	DRAWN BY: L. BUXTON
FILE NAME: \$FILES\$	DESIGNED BY: T. KNIGHT
PROJECT LEADER: G. BOGUE	CHECKED BY: G. BOGUE
BRIDGE 141 DETAILS SHEET	SHEET 245 OF 499

