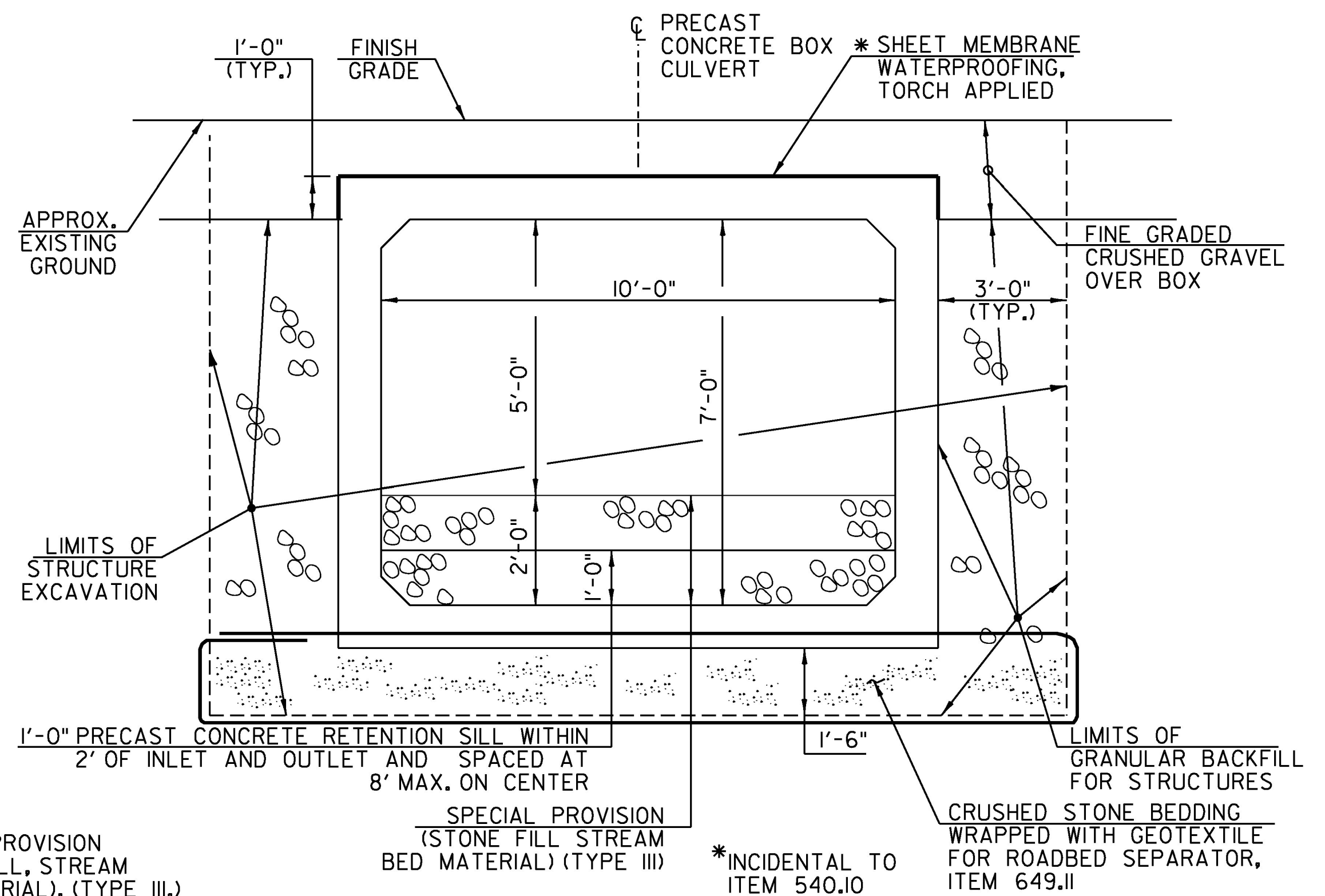


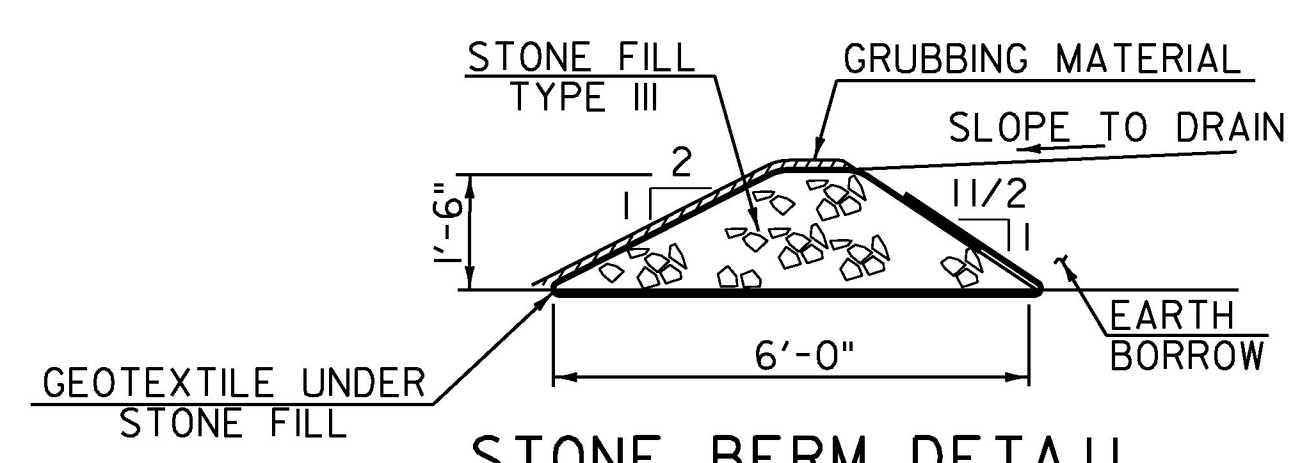
PLAN

SCALE: 1" = 10'
 0 10 20



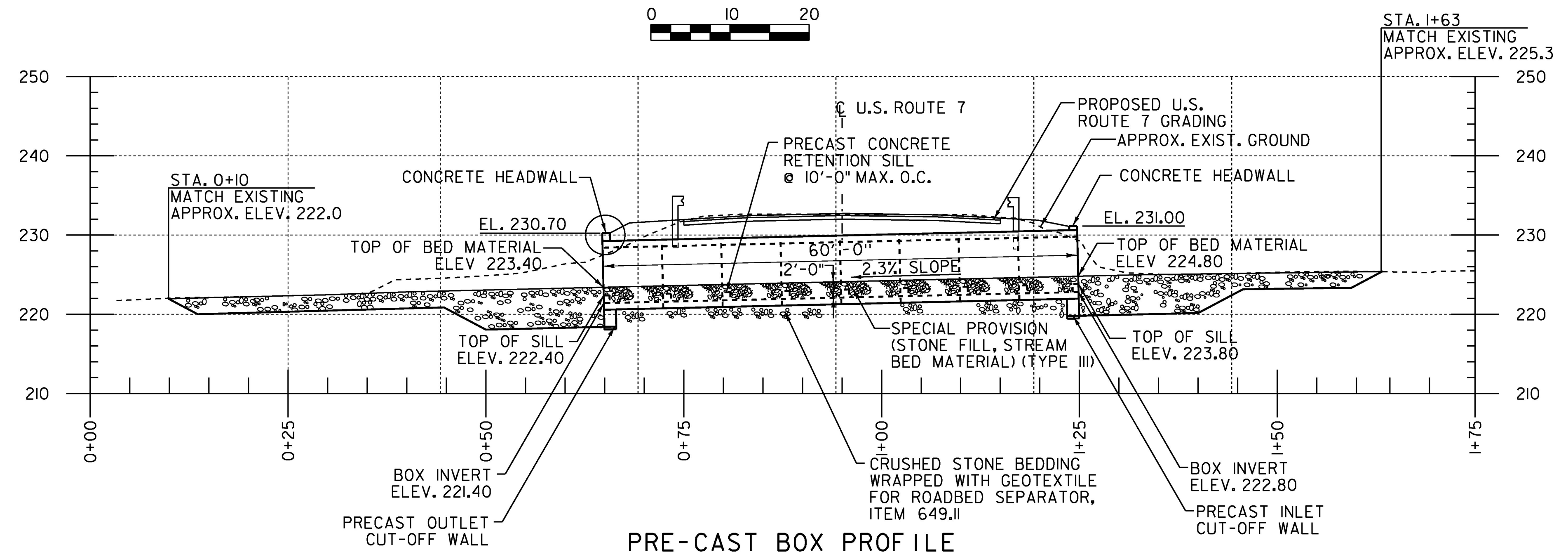
REINFORCED CONCRETE BOX EARTHWORK TYPICAL

NOT TO SCALE



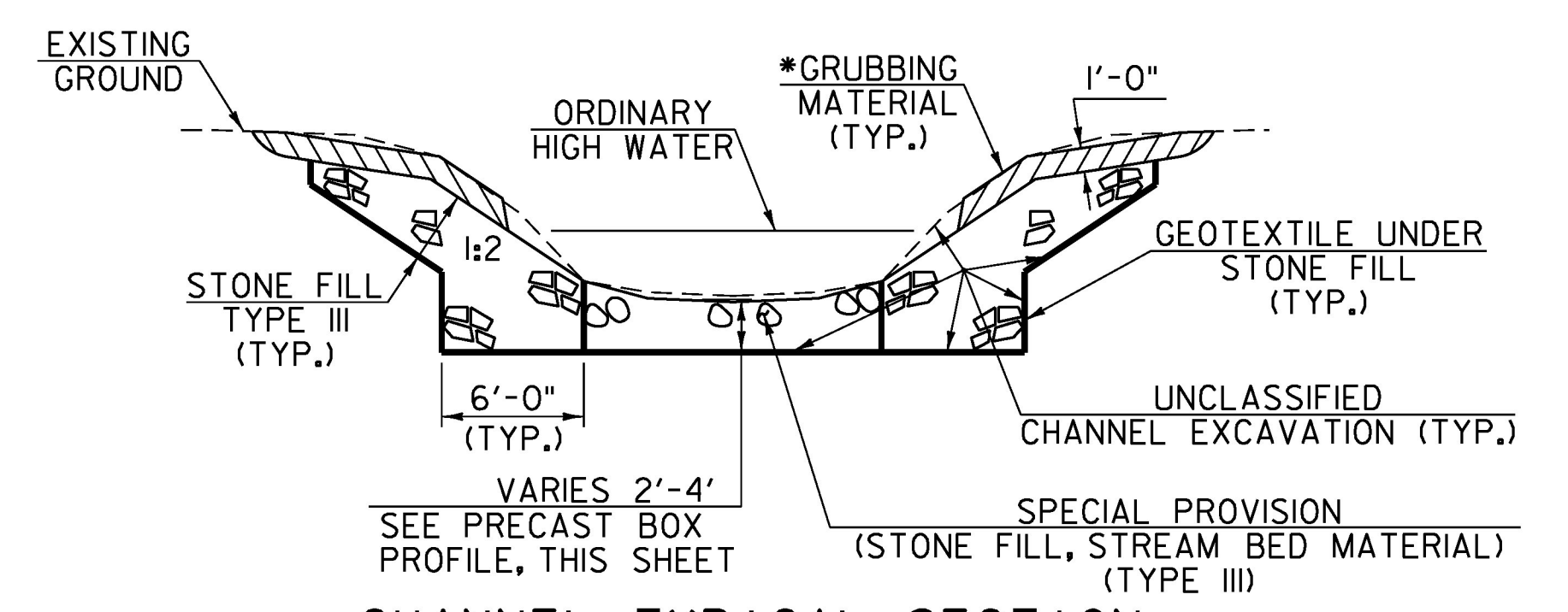
STONE BERM DETAIL

NOT TO SCALE



PRE-CAST BOX PROFILE

HORIZONTAL SCALE: 1" = 10' VERTICAL SCALE: 1" = 10'



CHANNEL TYPICAL SECTION

NOT TO SCALE

* GRUBBING MATERIAL SHALL NOT BE PLACED ON THE STONE FILL IN THE AREA UNDER THE BRIDGE. WHENEVER CHANNEL SLOPE INTERSECTS ROADWAY SUBBASE, GRUBBING MATERIAL SHALL BEGIN AT THE BOTTOM OF SUBBASE.

PROJECT NAME: CHARLOTTE	PLOT DATE: 15-MAR-2016
PROJECT NUMBER: F EGC 019-4(20)	DRAWN BY: L. BUXTON
FILE NAME: \$FILES\$	DESIGNED BY: T. KNIGHT
PROJECT LEADER: G. BOGUE	CHECKED BY: G. BOGUE
BRIDGE 141 PLAN AND PROFILE SHEET	SHEET 244 OF 499

