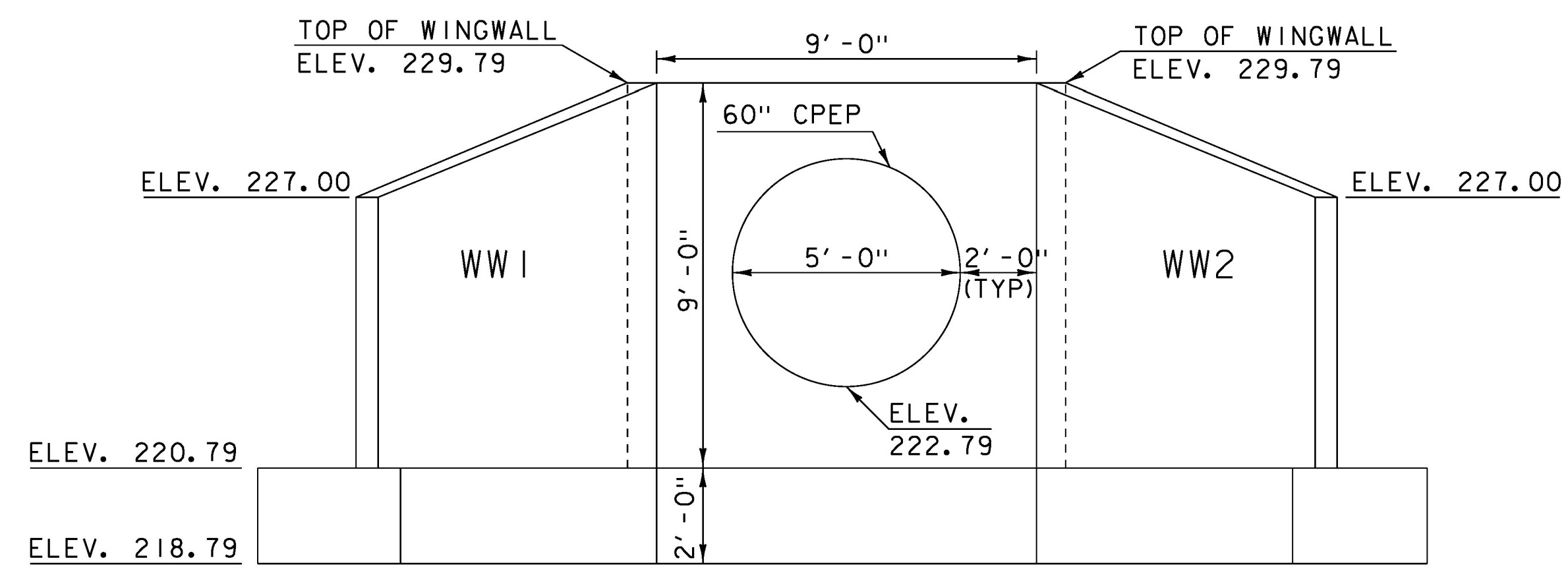
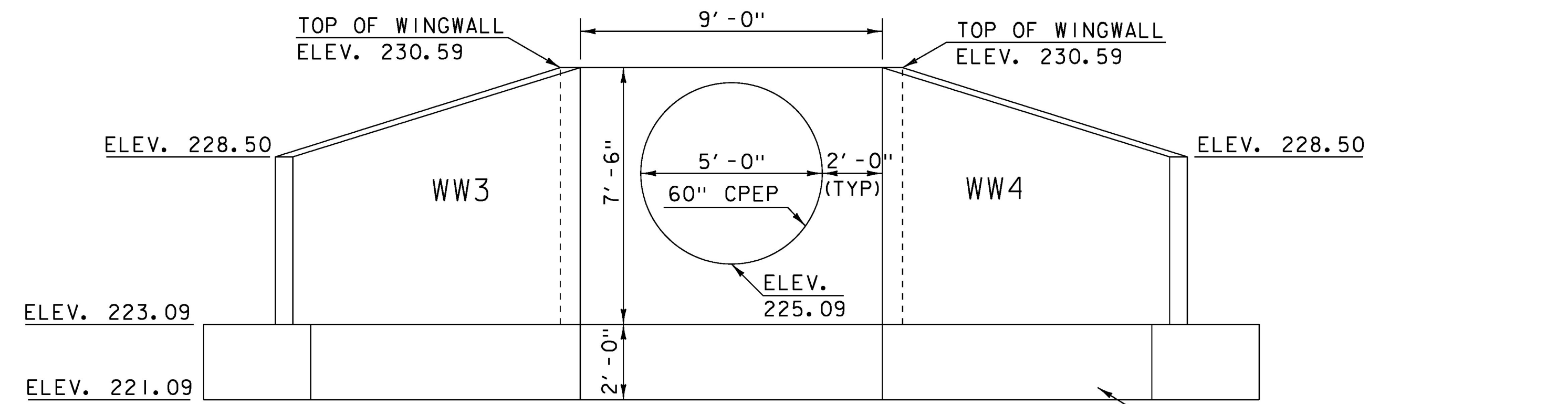


PIPE  
HEADWALL/WINGWALL  
LAYOUT  
NOT TO SCALE



PIPE  
OUTLET ELEVATION  
NOT TO SCALE



PIPE  
INLET ELEVATION  
NOT TO SCALE

PROJECT NAME:	CHARLOTTE
PROJECT NUMBER:	F EGC 019-4(20)
FILE NAME:	d78d062.typ.dgn
PROJECT LEADER:	K. UPMAL
DESIGNED BY:	A. KEMPTON
STA 40+42 HEADWALL LAYOUT SHEET	
PLOT DATE:	15-MAR-2016
DRAWN BY:	A. KEMPTON
CHECKED BY:	C. LEACH
SHEET	236 OF 499