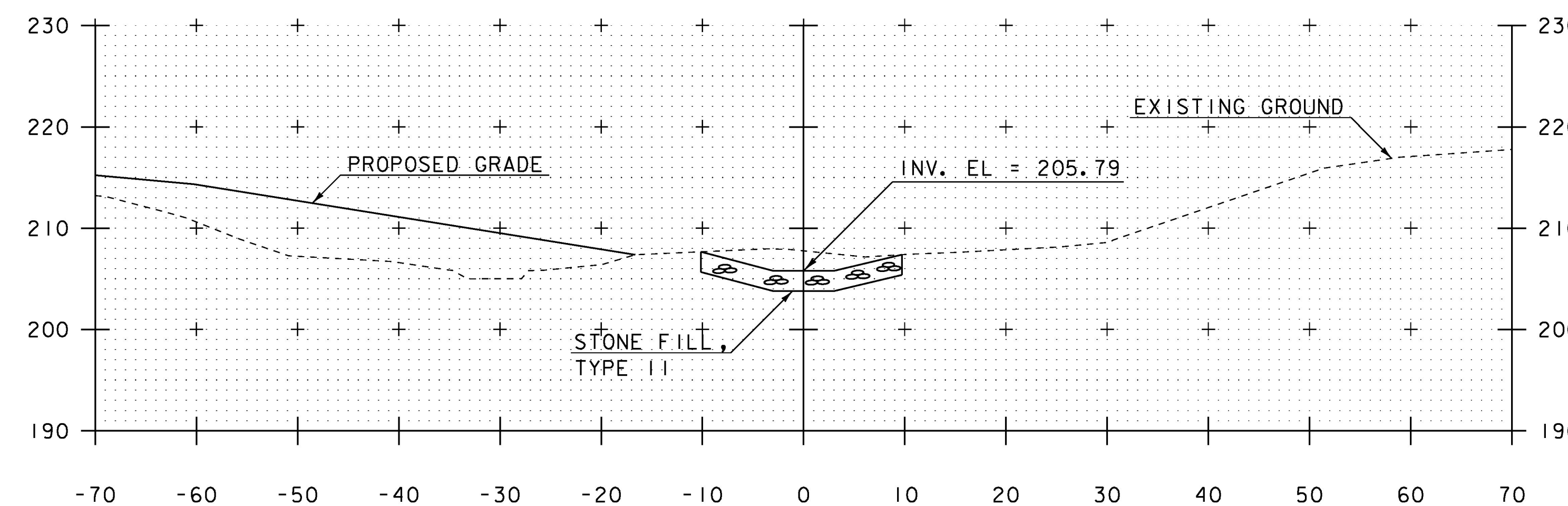
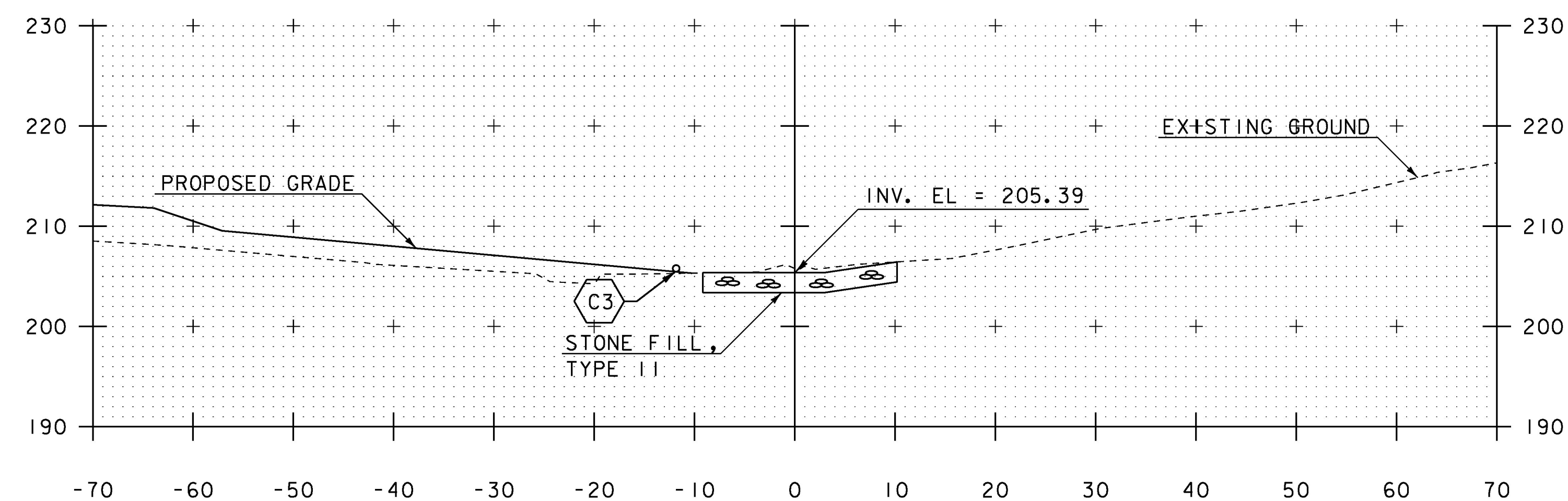


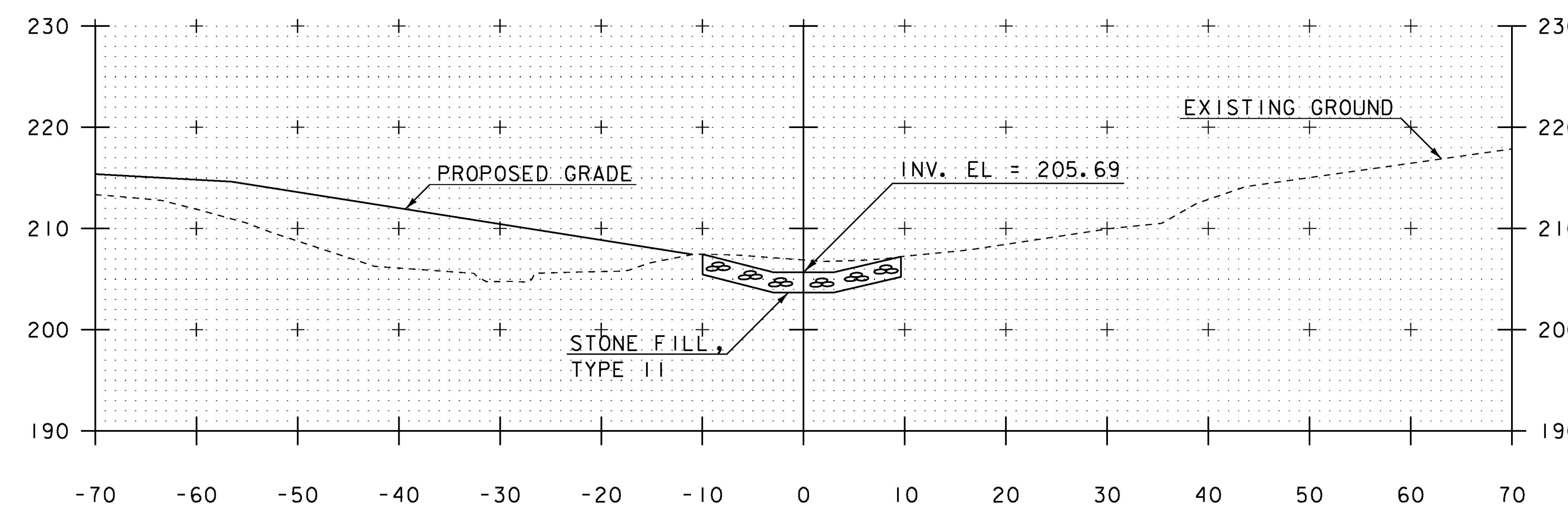
11+10



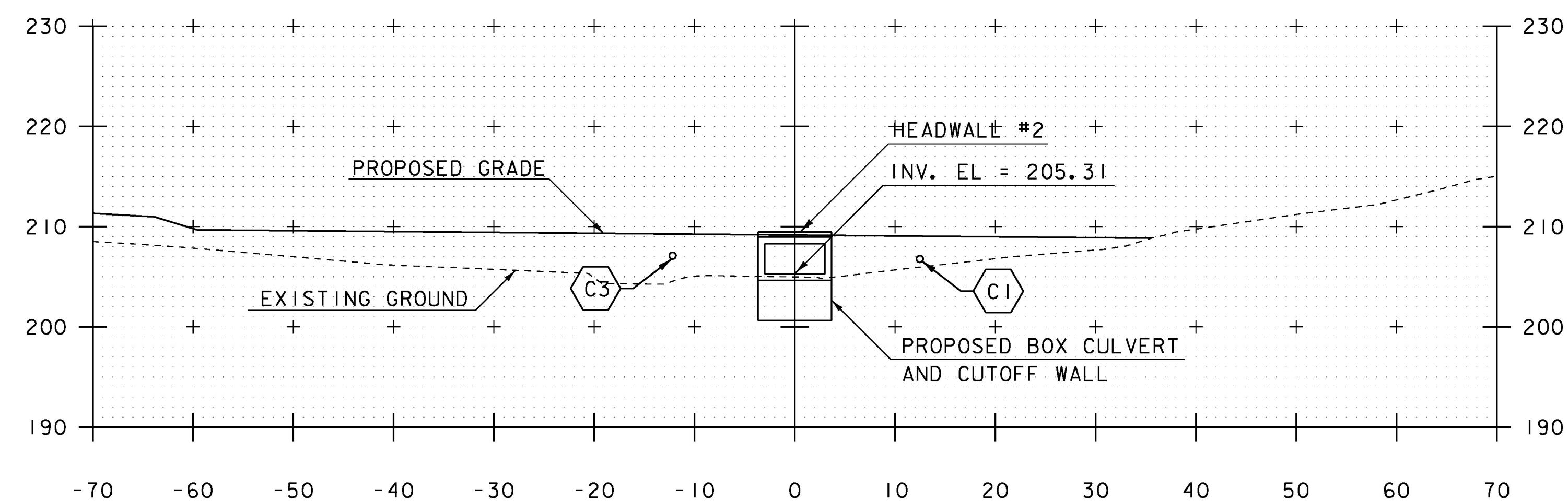
11+40



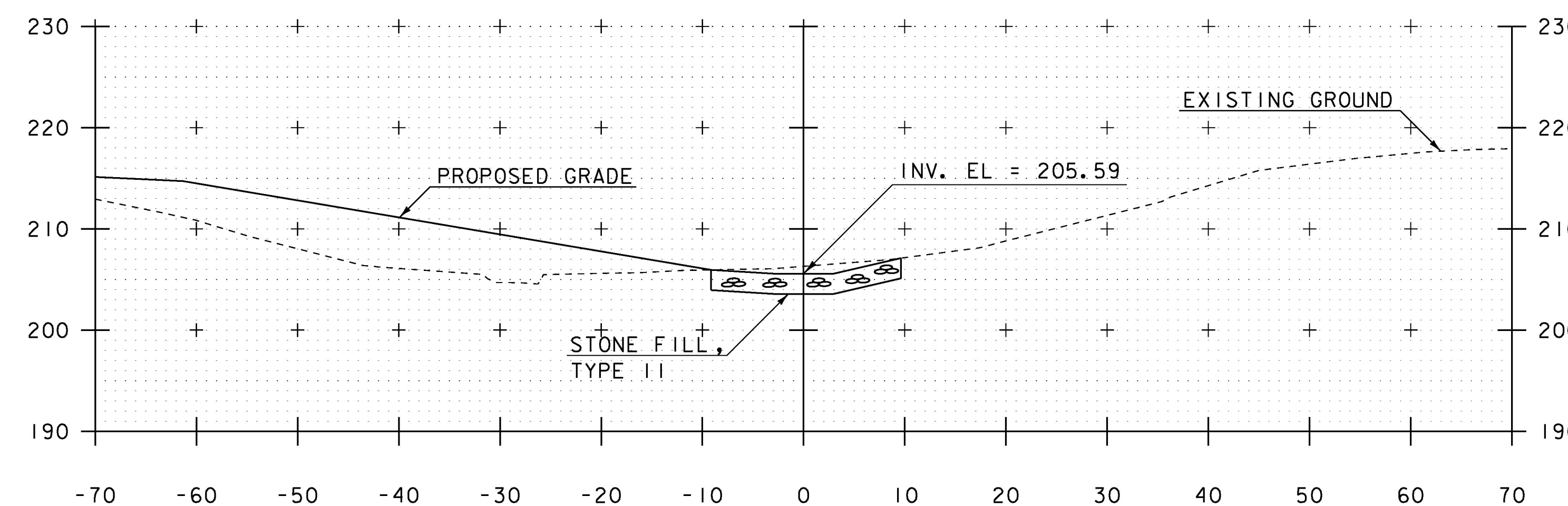
11+00



11+30



10+92.20
END BOX CULVERT
(BR #140)



11+20

PROJECT NAME:	CHARLOTTE
PROJECT NUMBER:	F EGC 019-4(20)
FILE NAME:	d78d062_xs.dgn
PROJECT LEADER:	K. UPMAL
DESIGNED BY:	A. KEMPTON
BR 140 CHANNEL CROSS SECTIONS 3	
PLOT DATE:	15-MAR-2016
DRAWN BY:	A. AGRAWAL
CHECKED BY:	C. LEACH
SHEET	234 OF 499

STA. 10+92 TO STA. 11+40