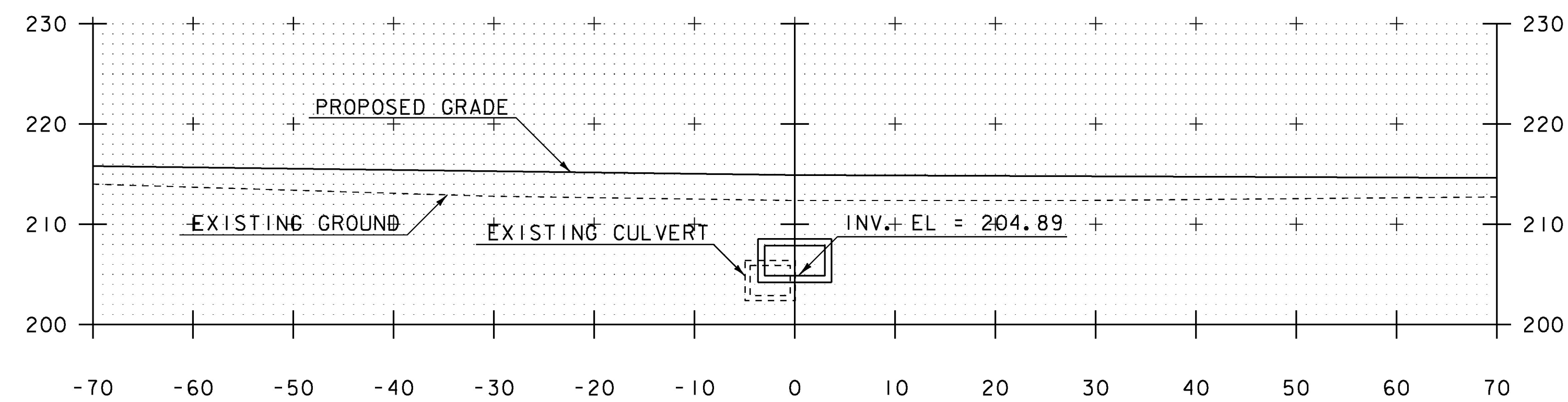
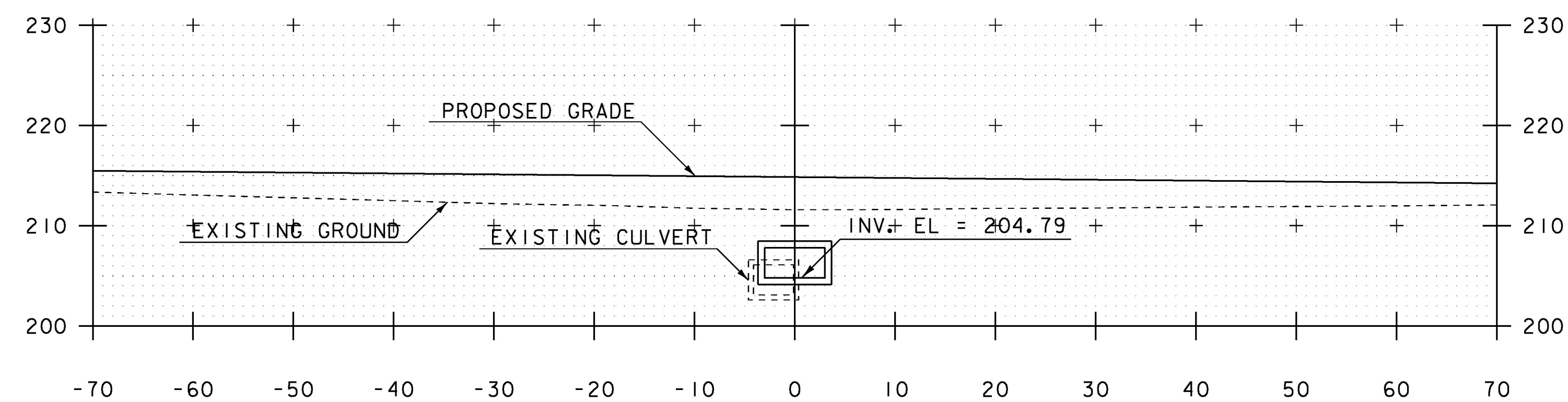


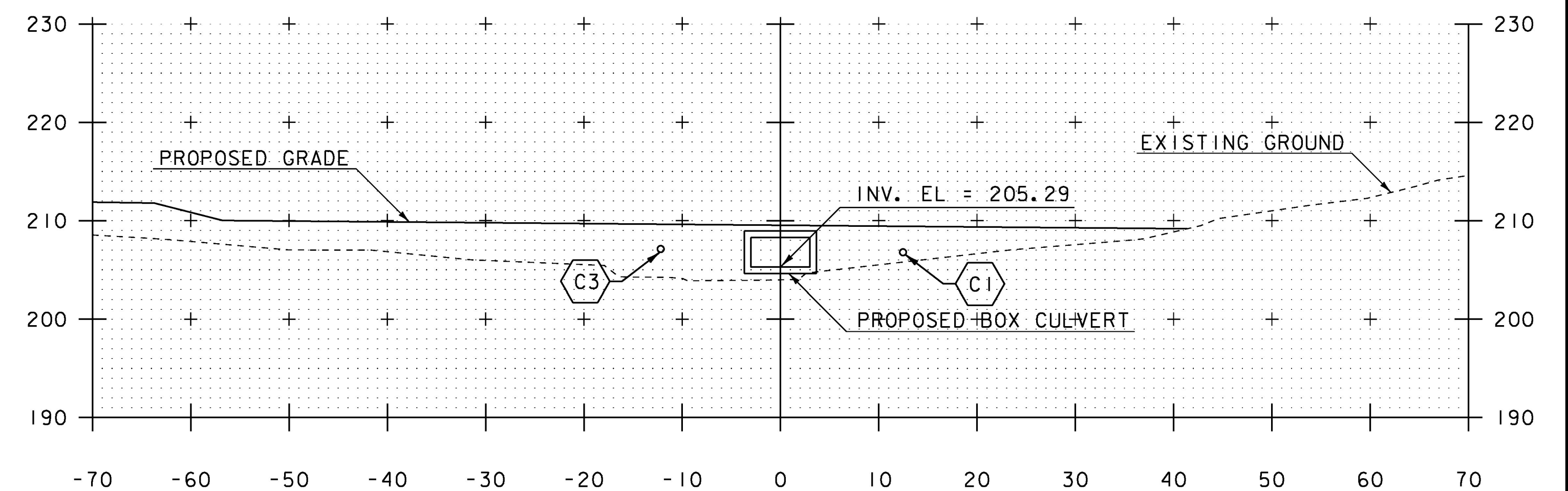
10+60



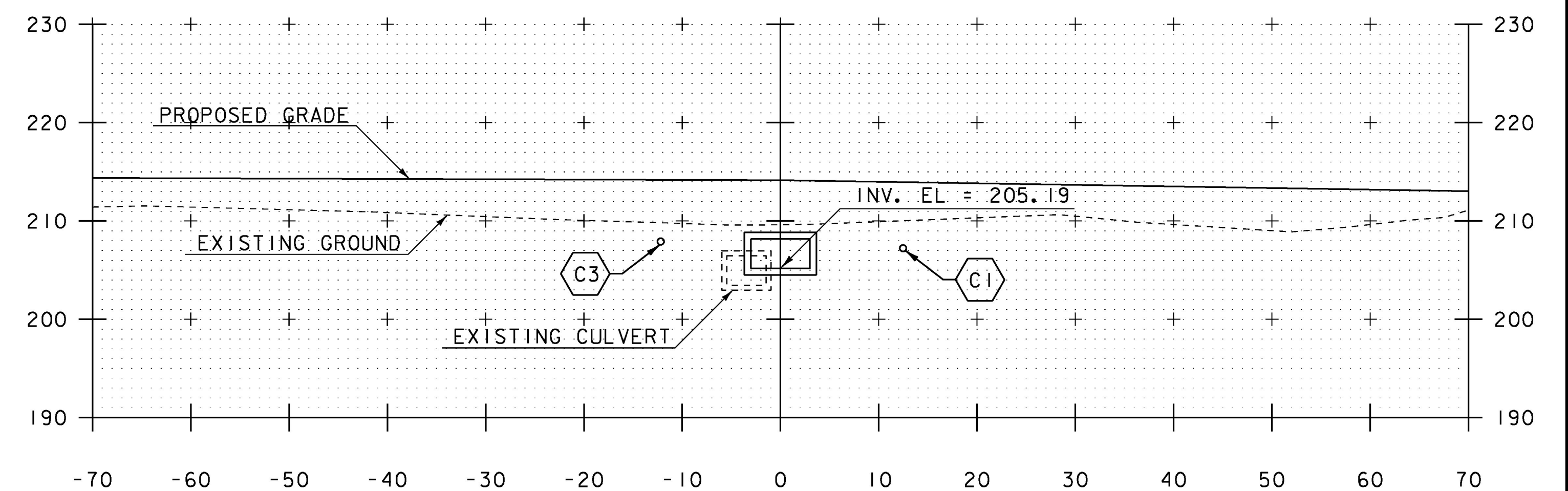
10+50



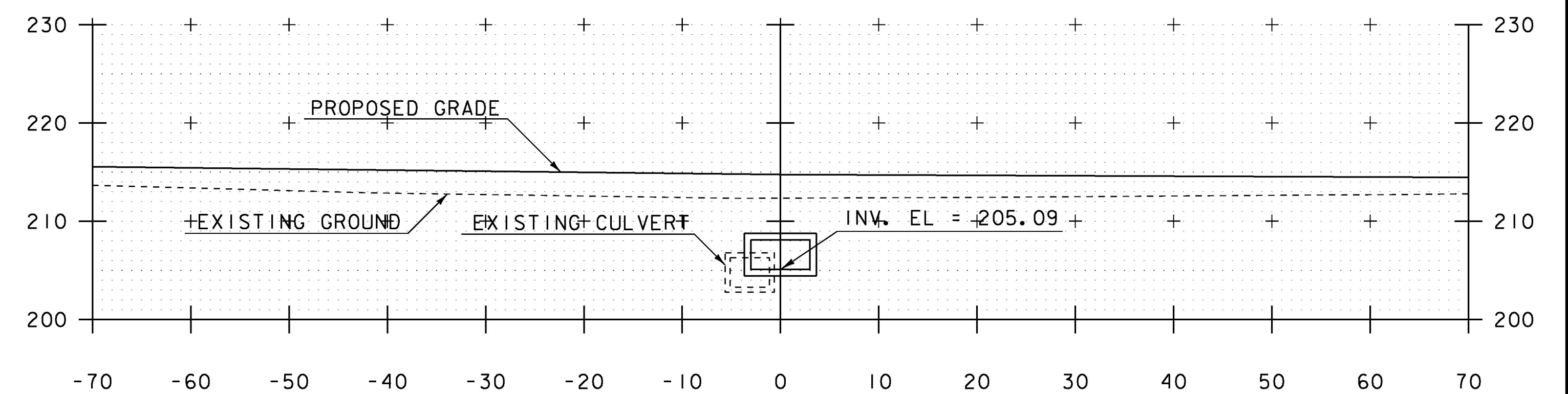
10+40



10+90



10+80



10+70

STA. 10+40 TO STA. 10+90

PROJECT NAME:	CHARLOTTE
PROJECT NUMBER:	F EGC 019-4(20)
FILE NAME:	d78d062_xs.dgn
PROJECT LEADER:	K. UPMAL
DESIGNED BY:	A. KEMPTON
BR 140 CHANNEL CROSS SECTIONS 2	
PLOT DATE:	15-MAR-2016
DRAWN BY:	A. AGRAWAL
CHECKED BY:	C. LEACH
SHEET	233 OF 499