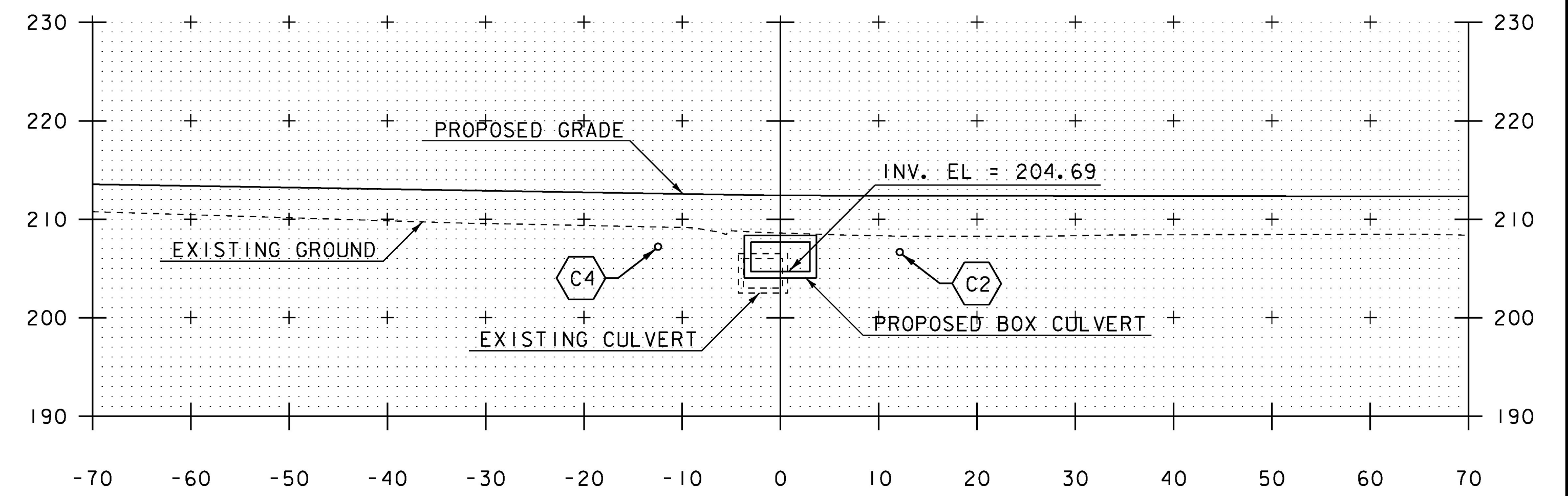
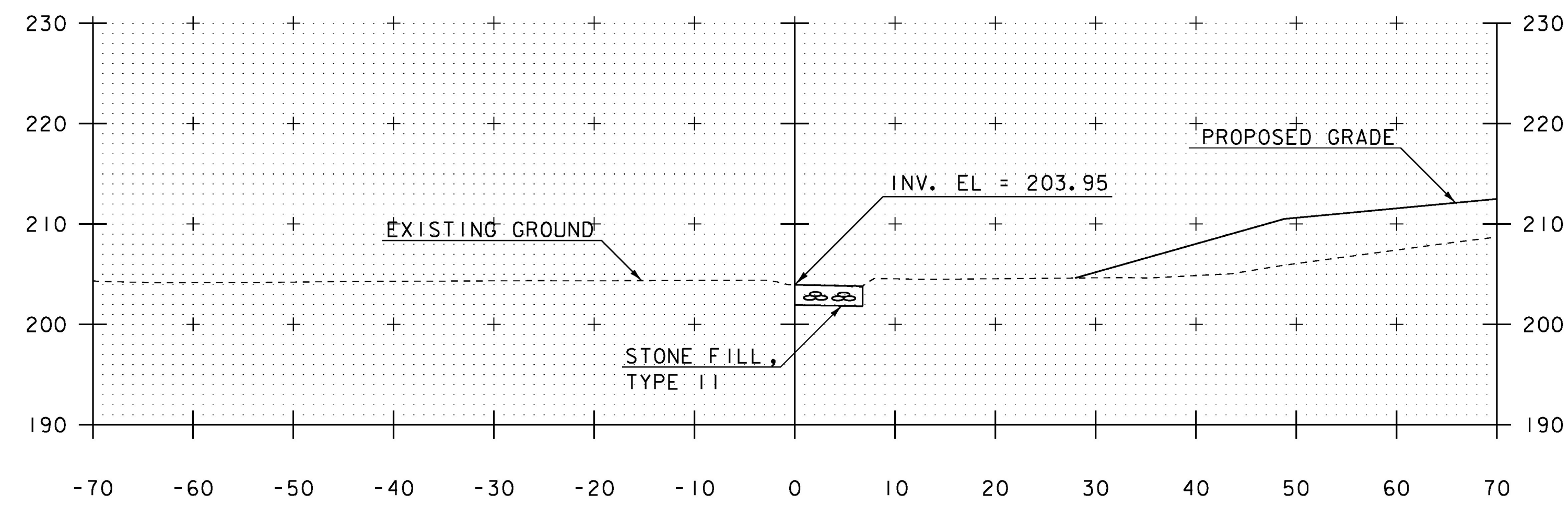


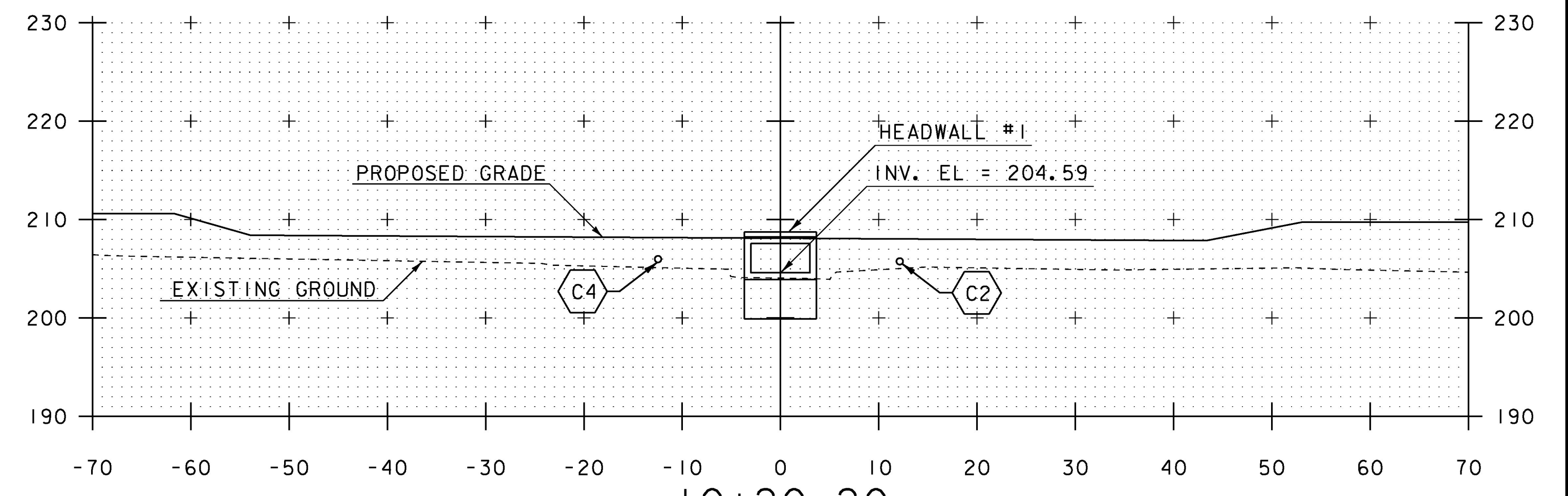
10+10



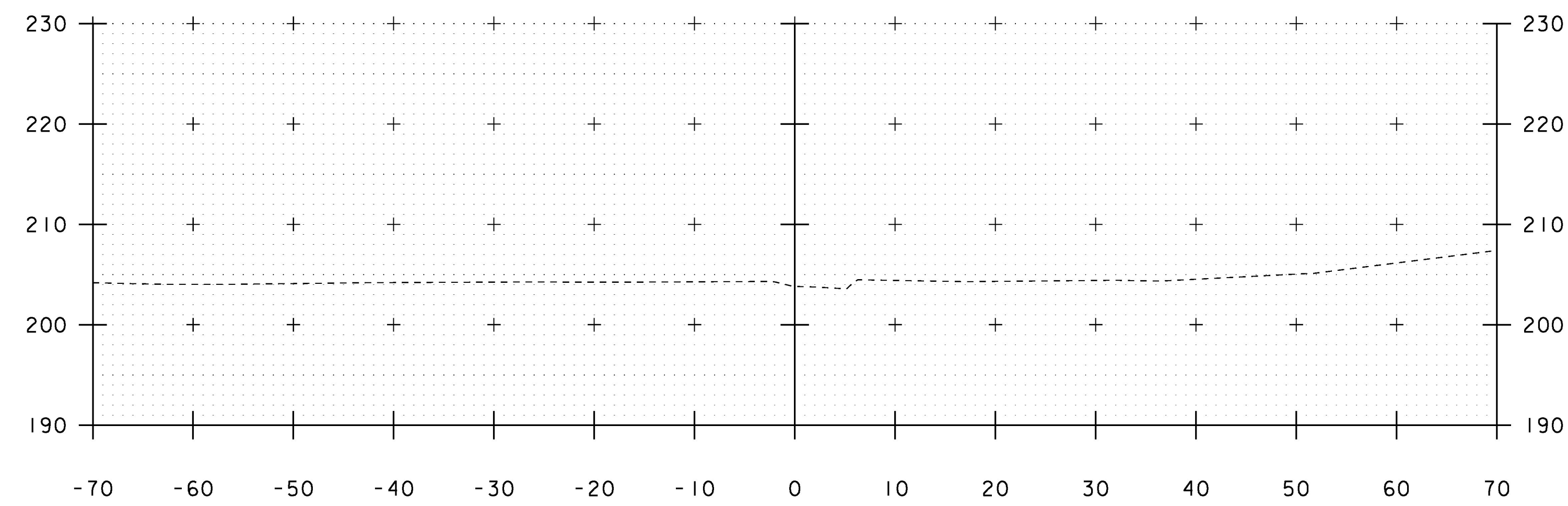
10+30



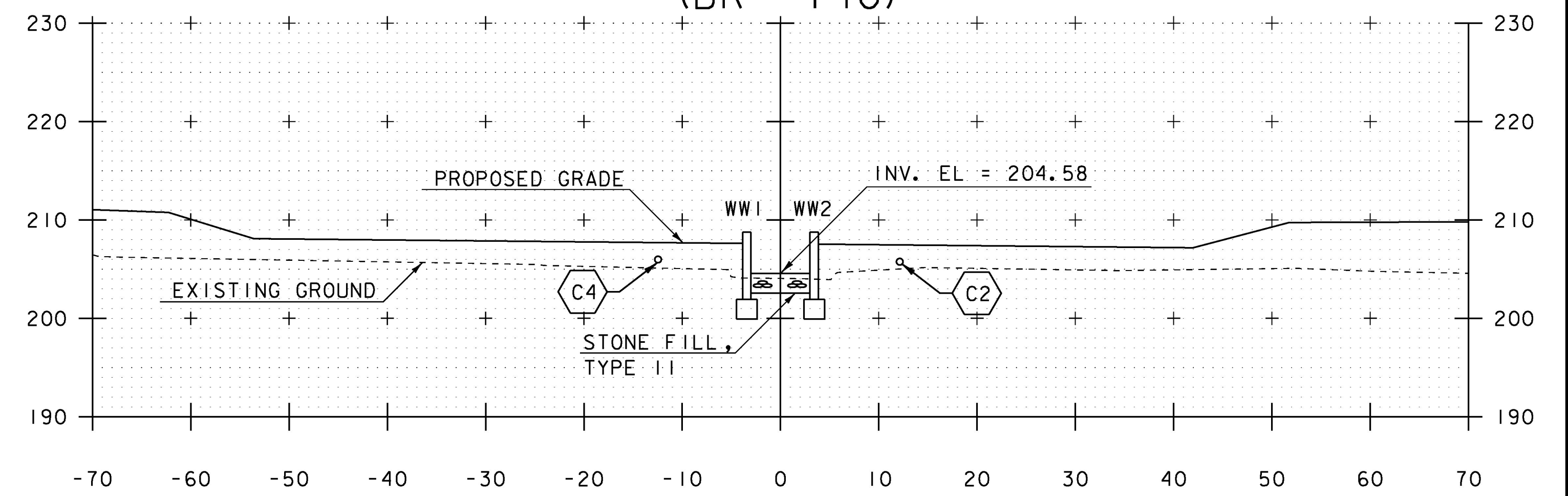
10+03.62
BEGIN CHANNEL WORK



10+20.20
BEGIN BOX CULVERT
(BR #140)



10+00



10+20

PROJECT NAME:	CHARLOTTE
PROJECT NUMBER:	F EGC 019-4(20)
FILE NAME:	d78d062_xs.dgn
PROJECT LEADER:	K. UPMAL
DESIGNED BY:	A. KEMPTON
BR 140 CHANNEL CROSS SECTIONS I	
PLOT DATE:	15-MAR-2016
DRAWN BY:	A. AGRAWAL
CHECKED BY:	C. LEACH
SHEET	232 OF 499

STA. 10+00 TO STA. 10+30