

NOTES

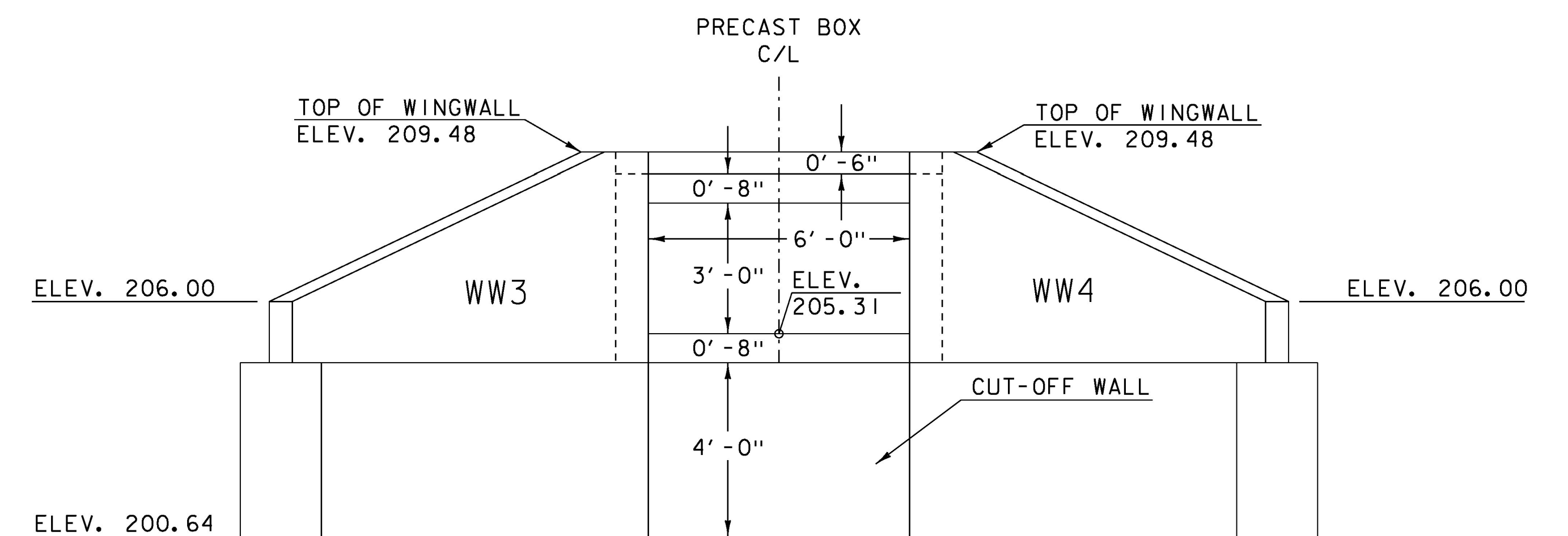
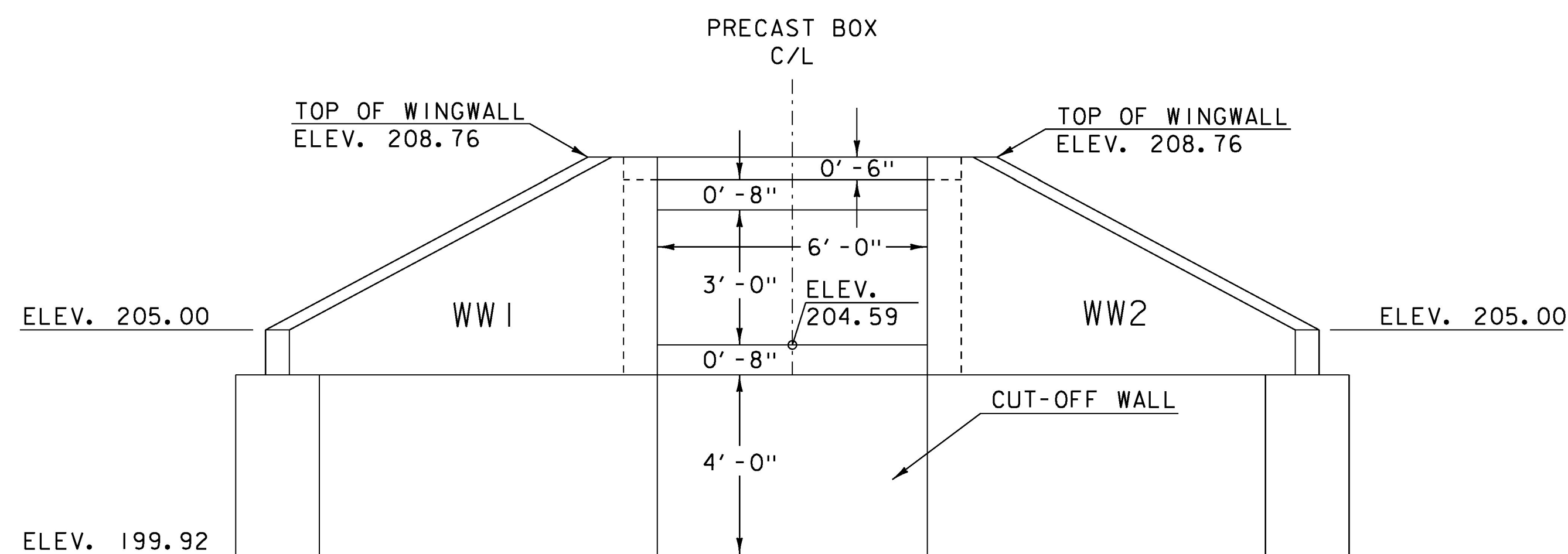
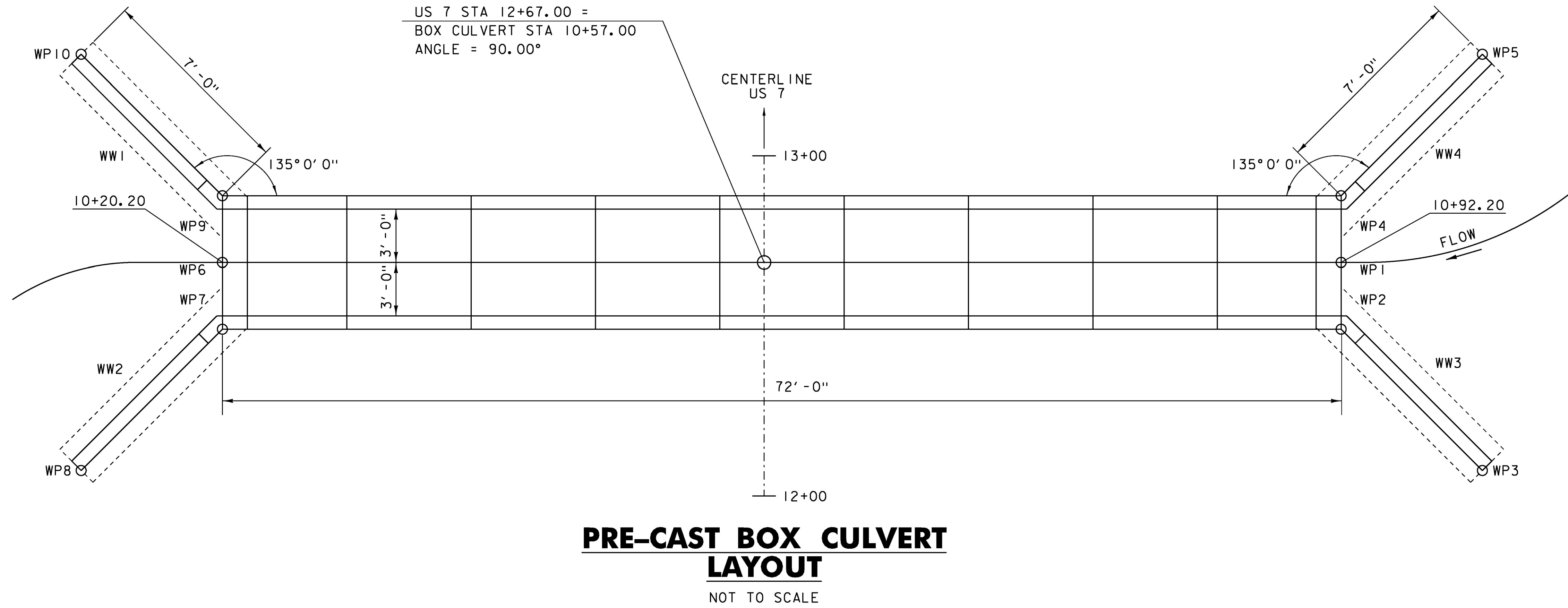
1. DIMENSIONS AND ORIENTATION OF WW1 AND WW2 ARE IDENTICAL.
2. DIMENSIONS AND ORIENTATION OF WW3 AND WW4 ARE IDENTICAL.
3. BOX, WINGWALL, AND FOOTING THICKNESSES ARE SHOWN FOR ILLUSTRATION PURPOSES ONLY. THE ACTUAL THICKNESSES WILL BE DETERMINED BY THE MANUFACTURER.
4. CUT-OFF WALLS SHALL EXTEND A MINIMUM OF 4' BELOW THE BOTTOM OF THE BOX CULVERT.

WORKING POINTS STATION AND OFFSET

WP#	STATION	OFFSET	NORTHING	EASTING
WP1	10+92.20	N/A	643831.78	1448873.08
WP2	10+92.38	3.67 RT	643828.54	1448874.80
WP3	10+97.20	9.52 RT	643826.18	1448882.44
WP4	10+92.38	3.67 LT	643835.02	1448871.37
WP5	10+99.34	9.01 LT	643842.67	1448873.73
WP6	10+20.20	N/A	643798.06	1448809.26
WP7	10+20.20	3.67 RT	643794.81	1448810.98
WP8	10+14.54	9.32 RT	643787.17	1448808.62
WP9	10+20.20	3.67 LT	643801.30	1448807.55
WP10	10+14.54	9.32 LT	643803.66	1448799.90

ALIGNMENT INFORMATION

	STATION	NORTHING	EASTING	BEARING
POB	10+00.00	643788.62	1448791.40	
PI	10+92.38	643831.78	1448873.08	N 62°08'42.81" E
PC	10+93.64	643832.37	1448874.19	
PI	11+12.77	643842.06	1448892.53	
PT	11+31.91	643862.63	1448895.18	N 07°19'27.89" E
POE	11+68.16	643898.59	1448899.80	



PROJECT NAME:	CHARLOTTE
PROJECT NUMBER:	F EGC 019-4(20)
FILE NAME: d78d062_typ.dgn	PLOT DATE: 15-MAR-2016
PROJECT LEADER: K. UPMAL	DRAWN BY: N. PAPPAS
DESIGNED BY: B. KIPP	CHECKED BY: A. KEMPTON
BR 140 DETAILS SHEET	SHEET 231 OF 499