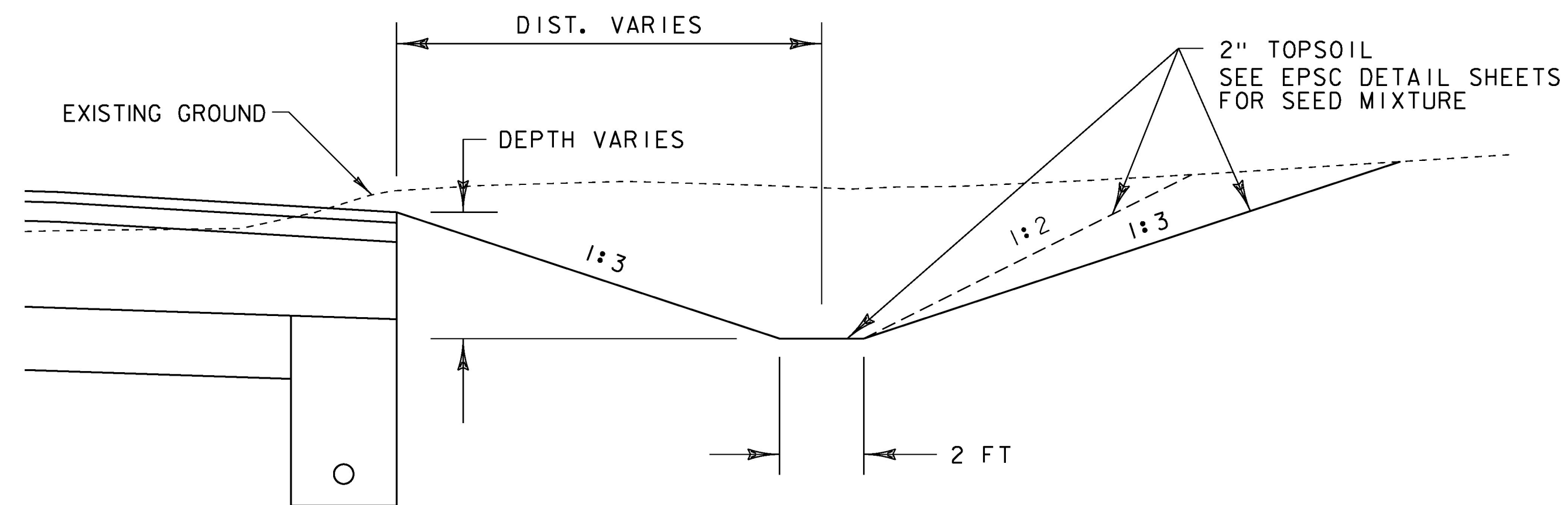
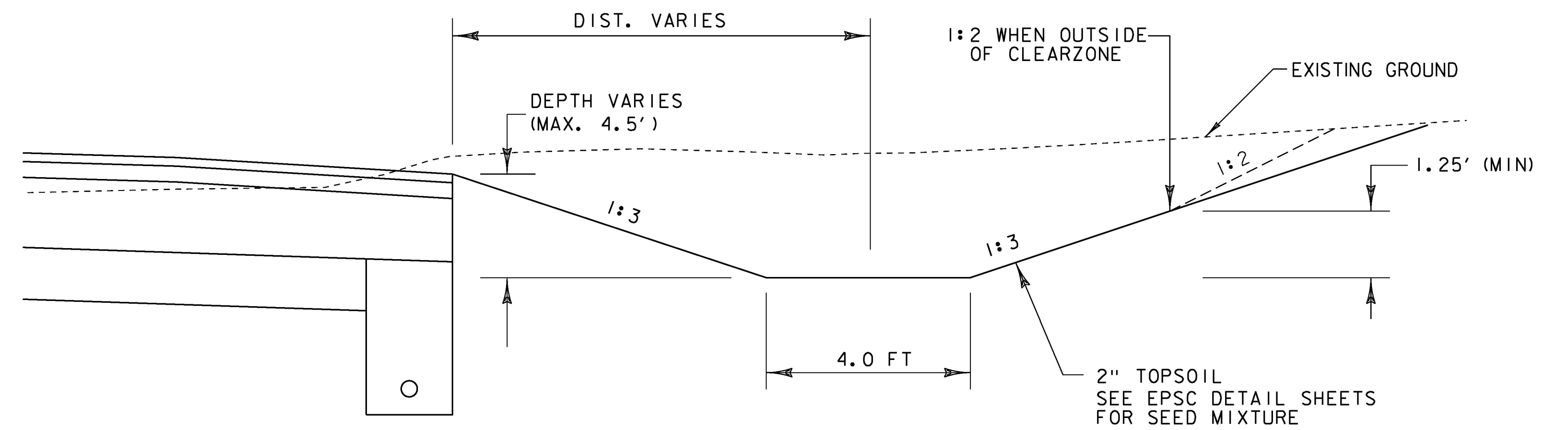


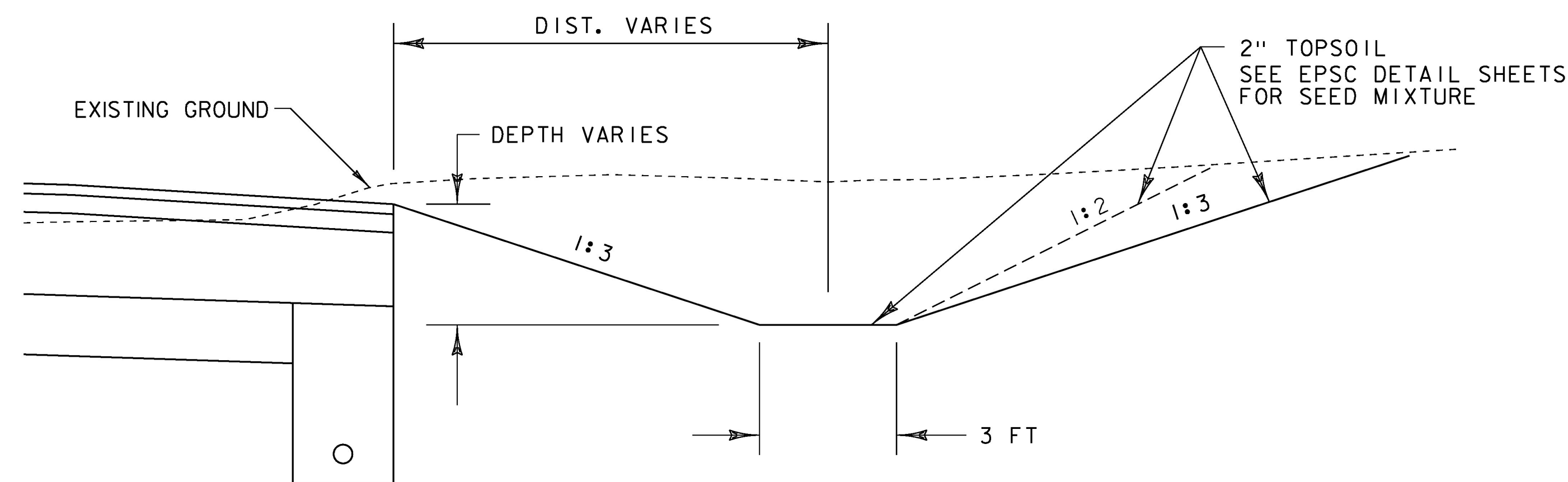
GRASS LINED TREATMENT SWALE DETAILS



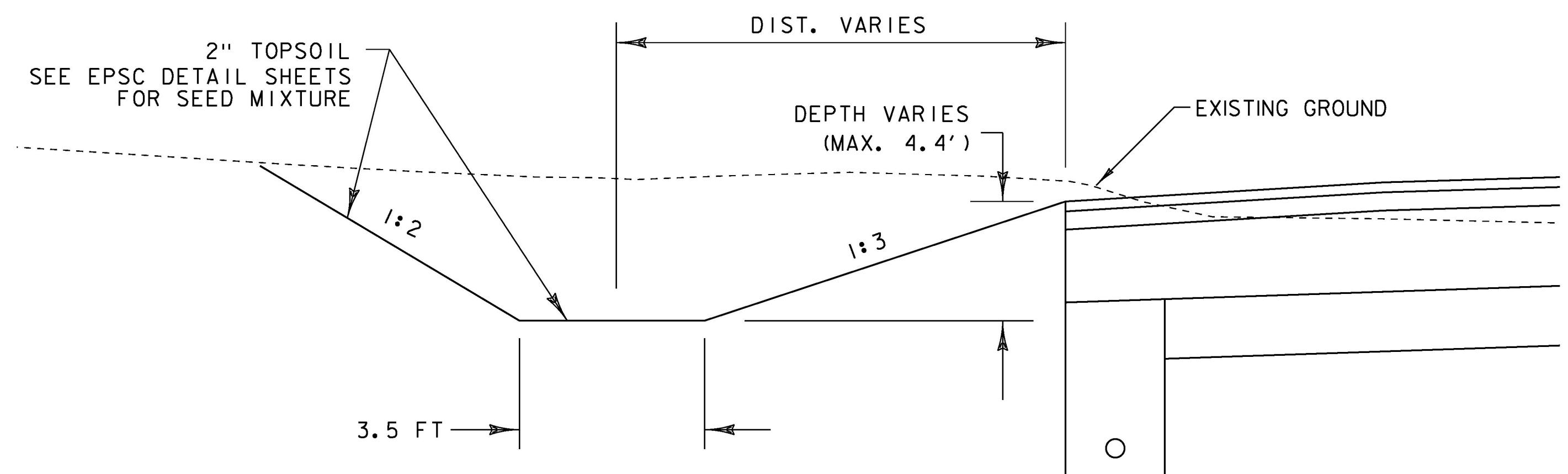
STA 106+60 TO 108+48 RT @ 4.0% - (DISCHARGES AT UNNAMED TRIBUTARY OF THORP BROOK)
 STA 109+20 TO 112+80 RT @ 4.0% - (DISCHARGES AT UNNAMED TRIBUTARY OF THORP BROOK)



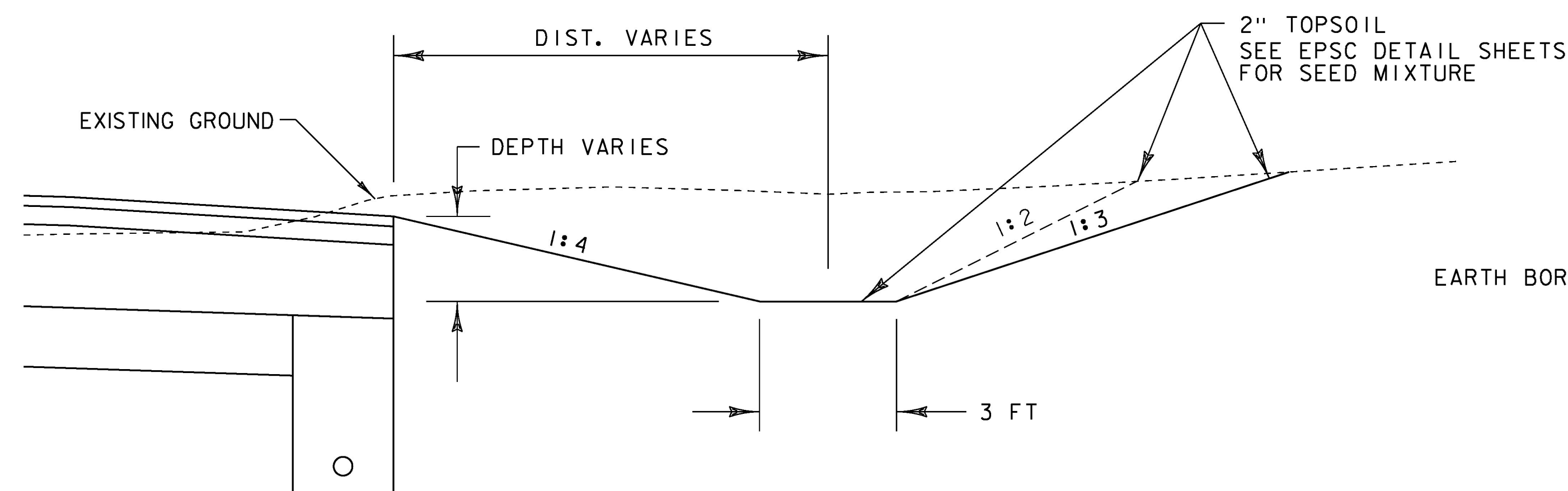
STA 99+50 TO 103+75 RT @ 2.0% - (DISCHARGES AT UNNAMED TRIBUTARY OF THORP BROOK)



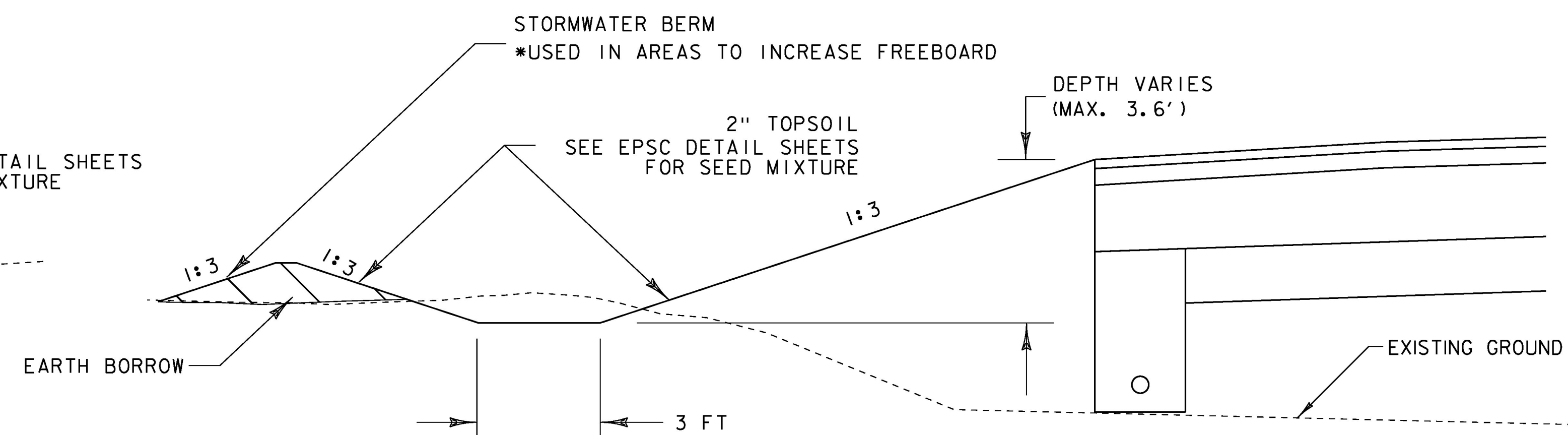
STA 14+00 TO 18+51 RT @ 4% - (DISCHARGES AT UNNAMED TRIBUTARY OF LEWIS CREEK)
 STA 19+03 TO 19+50 RT @ 4% - (DISCHARGES AT UNNAMED TRIBUTARY OF LEWIS CREEK)
 STA 34+25 TO 35+75 RT @ 4% - (DISCHARGES AT UNNAMED TRIBUTARY OF KIMBALL BROOK)
 STA 36+26 TO 37+67 RT @ 4% - (DISCHARGES AT UNNAMED TRIBUTARY OF KIMBALL BROOK)
 STA 49+41 TO 52+00 RT @ 1% - (DISCHARGES AT KIMBALL BROOK)
 STA 50+00 TO 52+00 LT @ 0.5% - (DISCHARGES AT KIMBALL BROOK)
 STA 77+00 TO 79+00 LT @ 0.5% - (DISCHARGES AT UNNAMED TRIBUTARY OF THORP BROOK)
 STA 96+00 TO 103+00 LT @ 2.5% - (DISCHARGES AT UNNAMED TRIBUTARY OF THORP BROOK)
 STA 143+80 TO 148+30 RT @ 2.0% - (DISCHARGES AT UNNAMED TRIBUTARY OF THORP BROOK)



STA 106+50 TO 108+50 LT @ 4% - (DISCHARGES AT UNNAMED TRIBUTARY OF THORP BROOK)
 STA 109+30 TO 112+50 LT @ 4% - (DISCHARGES AT UNNAMED TRIBUTARY OF THORP BROOK)



STA 38+28 TO 40+10 RT @ 2% - (DISCHARGES AT UNNAMED TRIBUTARY OF LEWIS CREEK)



STA 99+50 TO 103+00 LT

NOT TO SCALE

PROJECT NAME: CHARLOTTE	
PROJECT NUMBER: F EGC 019-4(20)	
FILE NAME: d78d062_typ.dgn	PLOT DATE: 15-MAR-2016
PROJECT LEADER: K. UPMAL	DRAWN BY: B. KIPP
DESIGNED BY: B. KIPP	CHECKED BY: C. LEACH
GRASS LINED TREATMENT SWALE DETAILS	SHEET 6 OF 499