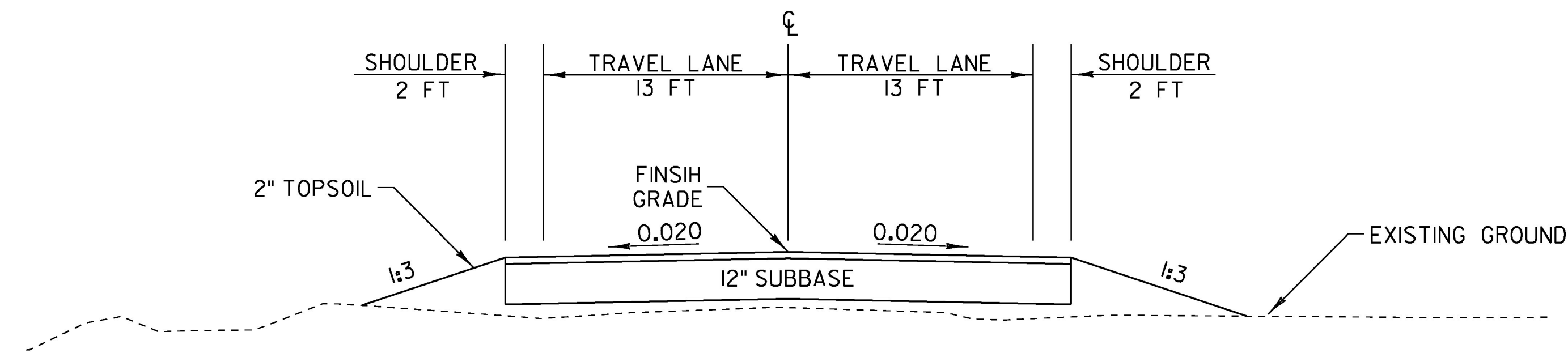
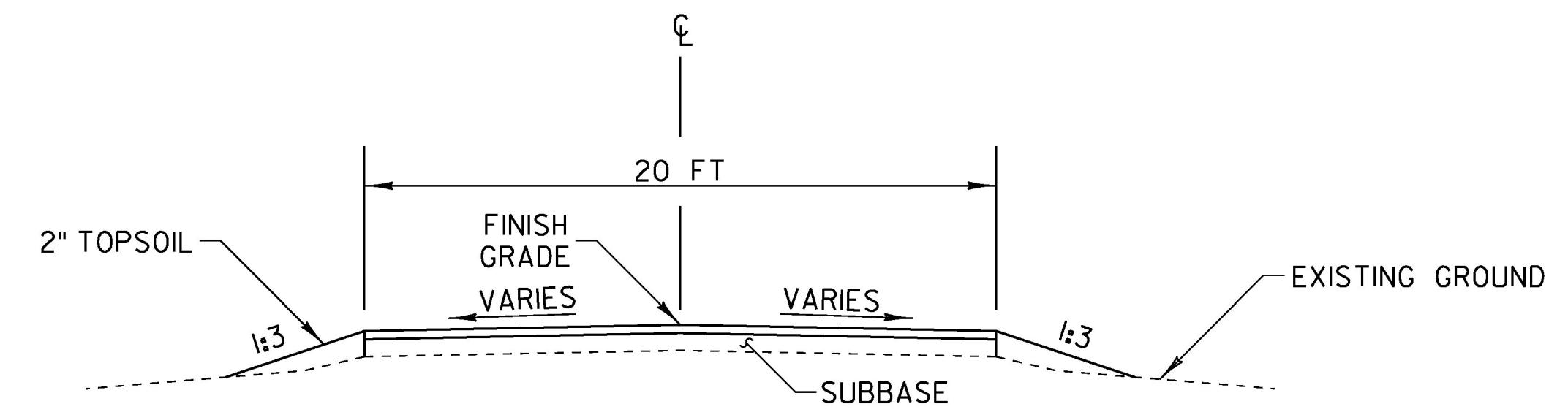


**TOWN HIGHWAY  
TYPICAL SECTIONS**



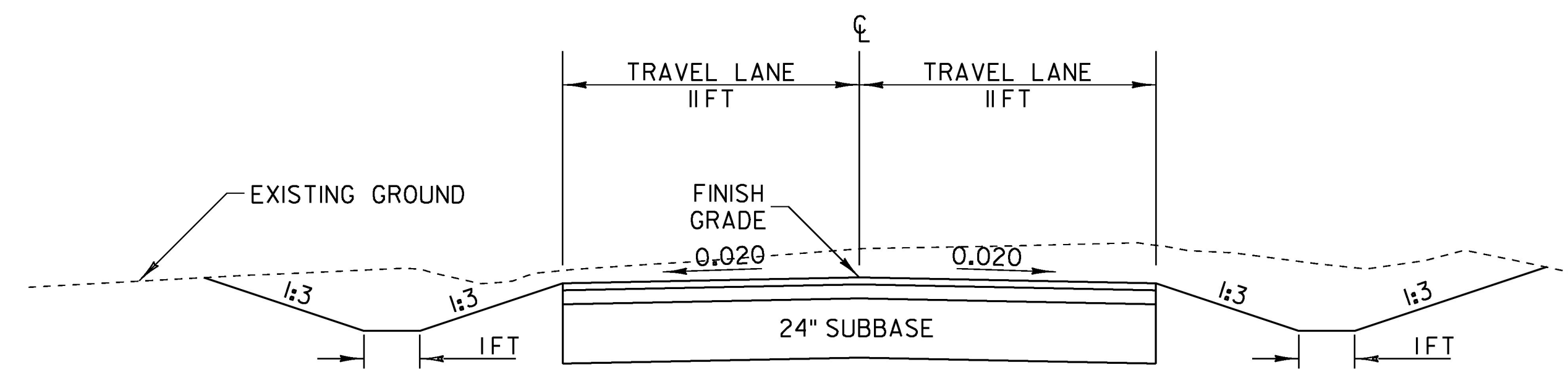
**EAST THOMPSONS POINT ROAD  
TYPICAL SECTION**

1-1/2" BITUMINOUS CONCRETE PAVEMENT, (1 LIFT, TYPE IVS)  
12" SUBBASE OF DENSE GRADED CRUSHED STONE



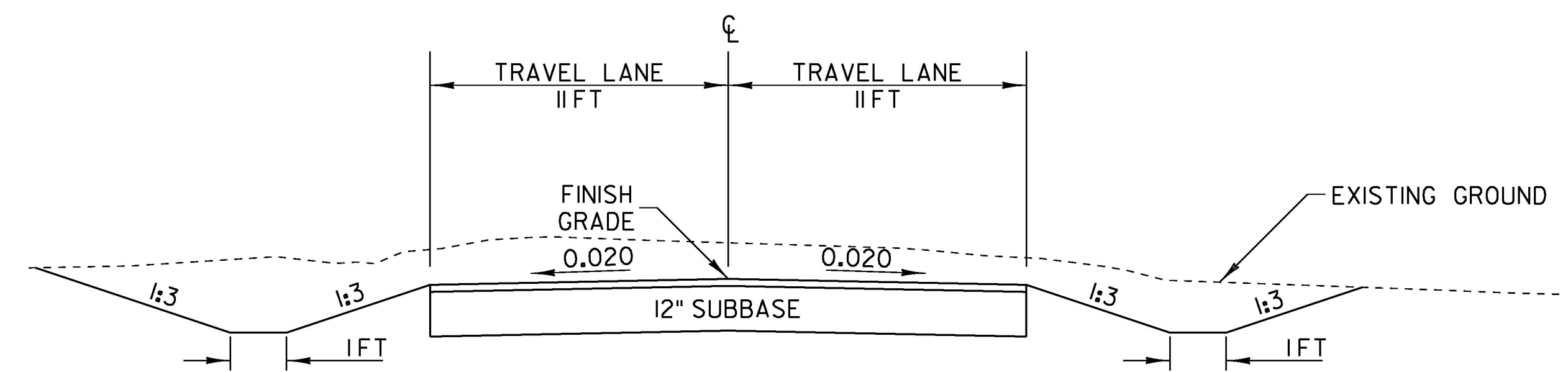
**WILDWOOD WEST DRIVE (PRIVATE)  
TYPICAL SECTION**

1-1/2" BITUMINOUS CONCRETE PAVEMENT, (1 LIFT, TYPE IVS)  
SUBBASE OF DENSE GRADED CRUSHED STONE, DEPTH VARIES (MAX. 1')



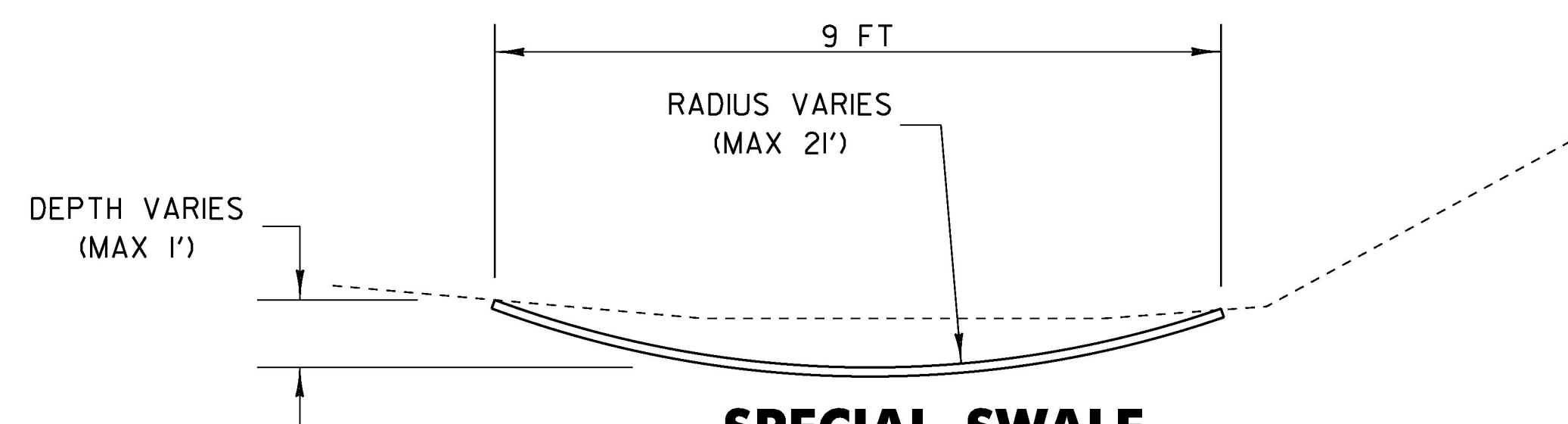
**STATE PARK ROAD  
TYPICAL SECTION**

3" BITUMINOUS CONCRETE PAVEMENT (2, 1-1/2" LIFTS, TYPE IVS)  
5-1/2" BITUMINOUS CONCRETE PAVEMENT (2, 2-3/4" LIFTS, TYPE IIS)  
24" SUBBASE OF DENSE GRADED CRUSHED STONE



**HIGBEE ROAD  
TYPICAL SECTION**

1-1/2" BITUMINOUS CONCRETE PAVEMENT, (1 LIFT, TYPE IVS)  
12" SUBBASE OF DENSE GRADED CRUSHED STONE



**SPECIAL SWALE**

2" TOPSOIL, SLOPE VARIES  
STA 64+10 TO 64+60 LT

NOT TO SCALE

PROJECT NAME: CHARLOTTE	PLOT DATE: 15-MAR-2016
PROJECT NUMBER: F EGC 019-4(20)	DRAWN BY: B. KIPP
FILE NAME: d78d062_typ.dgn	CHECKED BY: C. LEACH
PROJECT LEADER: K. UPMAL	TYPICAL SECTIONS SHEET 2
DESIGNED BY: B. KIPP	SHEET 5 OF 499