

INSTRUCTIONS:

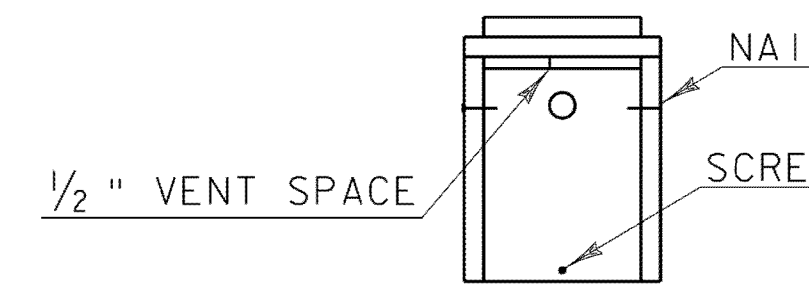
ONE 1"x6"x10' BOARD
+ ONE 1"x8"x10' BOARD
= FOUR BLUEBIRD BOXES

DRILL DRAIN HOLES IN THE BOTTOM.

BACK EXTENDS BELOW BOTTOM FOR FENCE POST ATTACHMENT. TOP OF POSTS TO BE FIVE FEET ABOVE GROUND SURFACE.

DRILL 1/4"-INCH DIAMETER HOLE IN FRONT ABOUT 7 INCHES ABOVE LOWER EDGE.

FASTEN FRONT AS SHOWN:



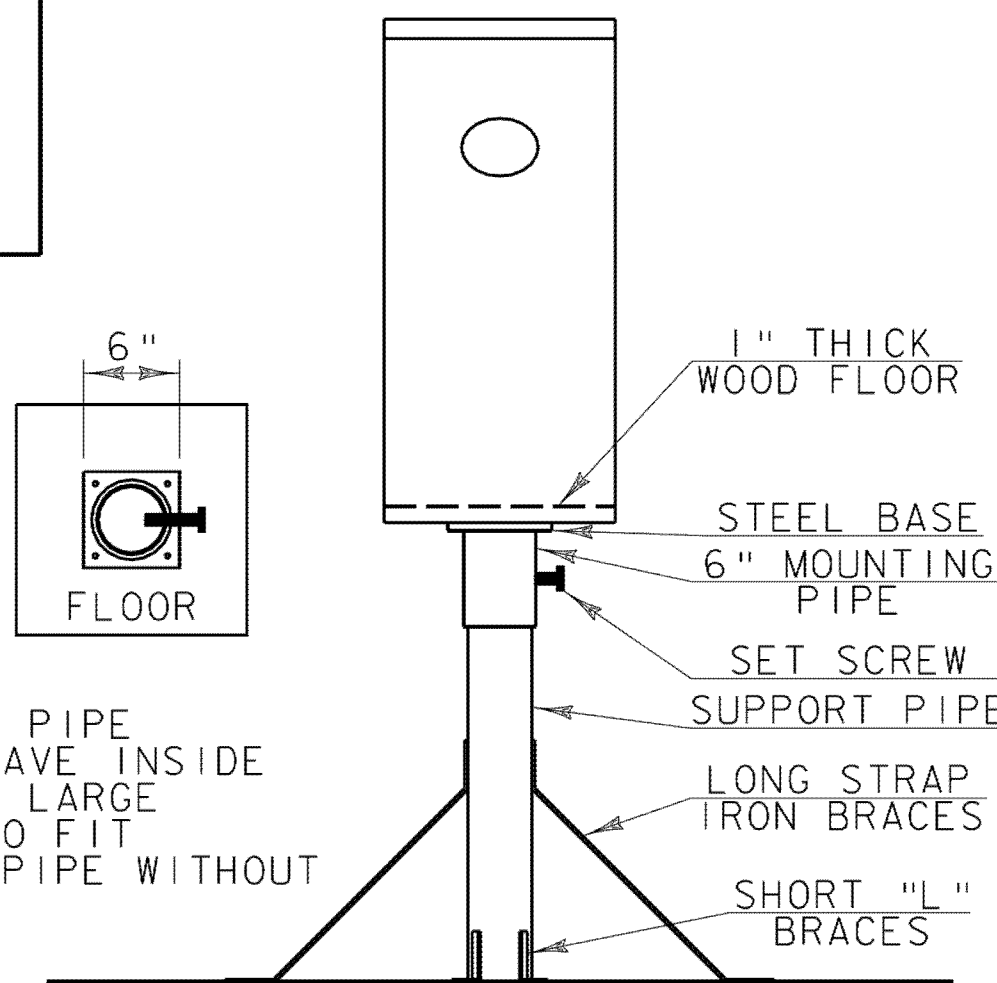
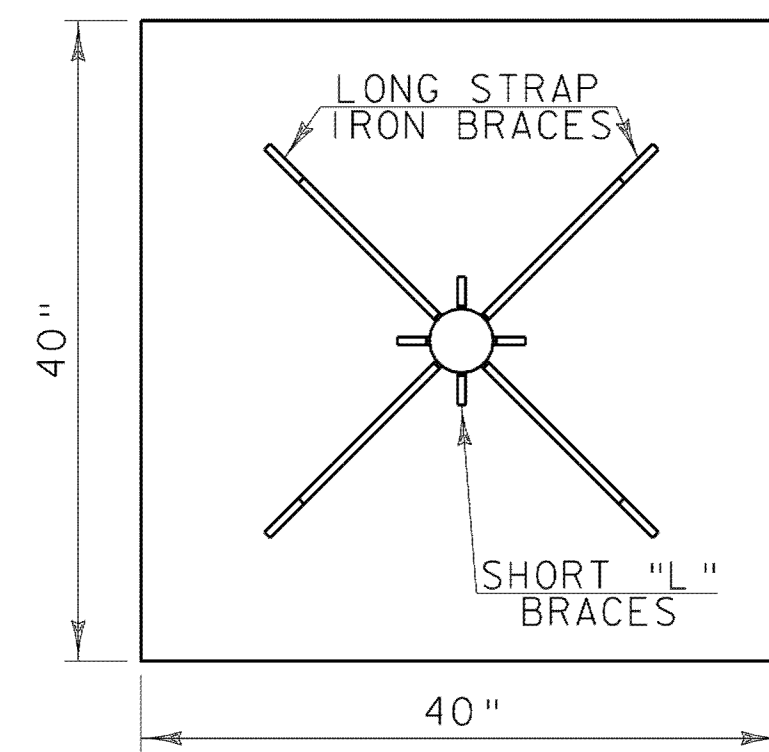
THIS ALLOWS FRONT TO BE RAISED WITH SCREW REMOVED AND NAILS AS HINGES TO ALLOW FOR CLEANING.

(THE LISTED LENGTHS ARE FOR LUMBER UNPLANED ON ONE SIDE ONLY)

BLUEBIRD BOX NOTES:

1. USE UNPLANED, NATURAL CEDAR, NO PRESSURE-TREATED WOOD
2. MAKE BOXES OUT OF 1-INCH ROUGH-SAWN LUMBER.
3. * " VENT TO BE PROVIDED NEAR THE TOP OF THE BOX.
4. THE ROOF SHOULD OVERHANG IN THE FRONT.
5. DRILL FIVE 1/4-INCH DIAMETER HOLES IN THE BOTTOM FOR DRAINAGE (OR CUT OFF CORNERS OF BOTTOM PIECE.
6. DON'T PUT A PERCH ON THE BOX.
7. BOXES TO BE SET IN PAIRS, PAIRED BOXES 20' APART.
8. BOXES TO BE MOUNTED ON CEDAR FENCE POSTS.
9. FENCE POSTS TO BE SET FOUR (4) FEET INTO GROUND
10. PREDATOR GUARD TO BE MOUNTED ON FENCE POST 6" TO 12" BELOW BOTTOM OF BOX.
11. FENCE POST TO BE SET WITH BOTTOM OF PREDATOR GUARD 4' ABOVE GROUND

BLUEBIRD BOX



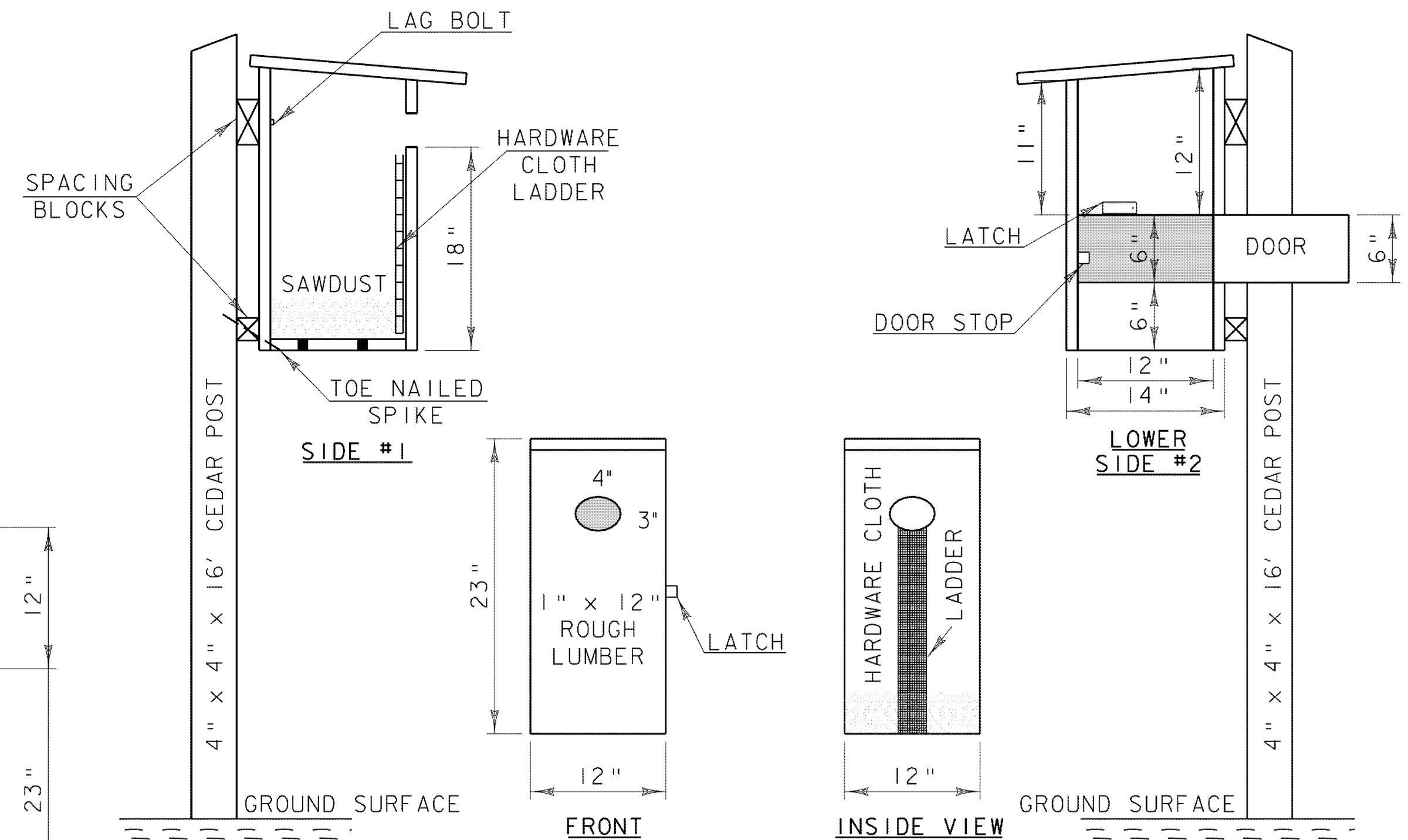
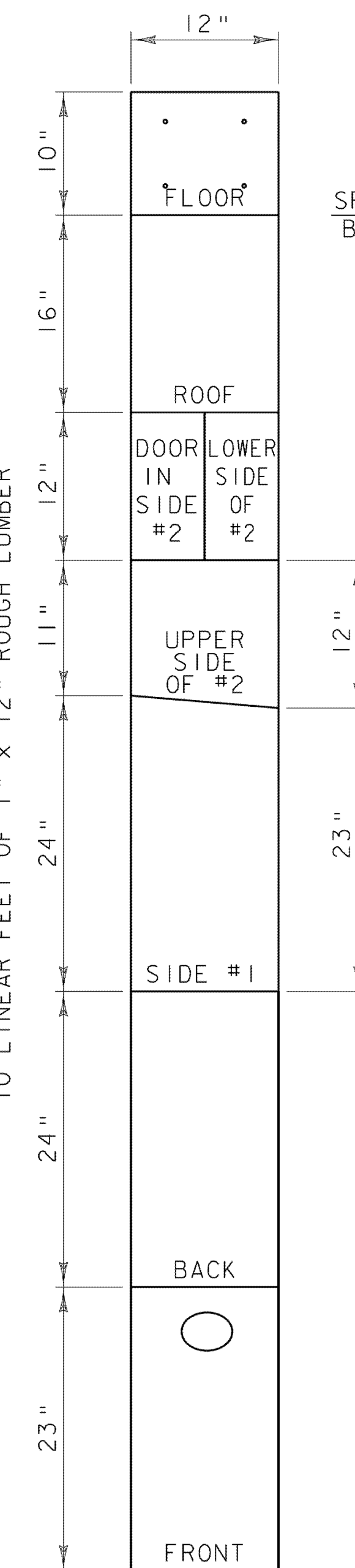
BOTTOM: WELD 6" LONG MOUNTING PIPE TO 6"x6" PLATE AND ATTACH TO FLOOR BOTTOM WITH 1/4" LAG BOLTS.

NOTE: MOUNTING PIPE SHOULD HAVE INSIDE DIAMETER LARGE ENOUGH TO FIT SUPPORT PIPE WITHOUT JAMMING.

FLAT-TYPE PREDATOR GUARD CAN BE USED ON WOODEN POST.

VARIATIONS IN MOUNTING AND PREDATOR GUARD FOR WOOD DUCK BOXES

10 LINEAR FEET OF 1" x 12" ROUGH LUMBER



WOOD DUCK NESTING BOX

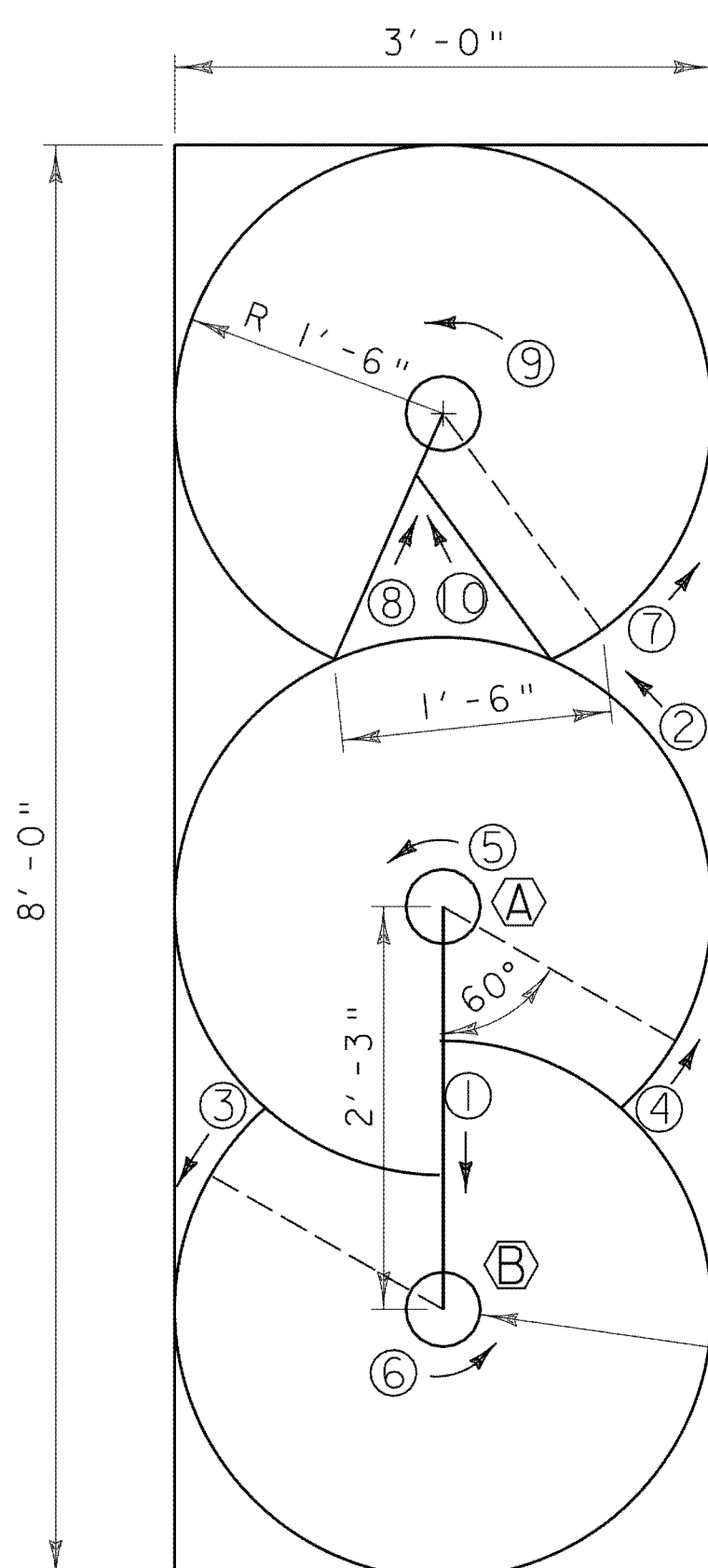
WOOD DUCK NESTING BOX NOTES:

1. THE BOX SHOULD BE CONSTRUCTED OF UNPLANED CEDAR, CYPRESS, OR OTHER WEATHER-RESISTANT LUMBER. IT SHOULD NOT BE PAINTED, STAINED, OR CREOSOTED. AS THE DIAGRAM INDICATES, THE ENTRANCE SHOULD BE OVAL-SHAPED WITH THE BROADEST DISTANCE HORIZONTAL. ON THE INSIDE FRONT OF THE BOX, BENEATH THE HOLE, A STRIP OF SCREEN OR HARDWARE CLOTH SHOULD BE TACKED TO PROVIDE THE DUCKLINGS A MEANS OF ESCAPING THE BOX.

2. MATERIALS:

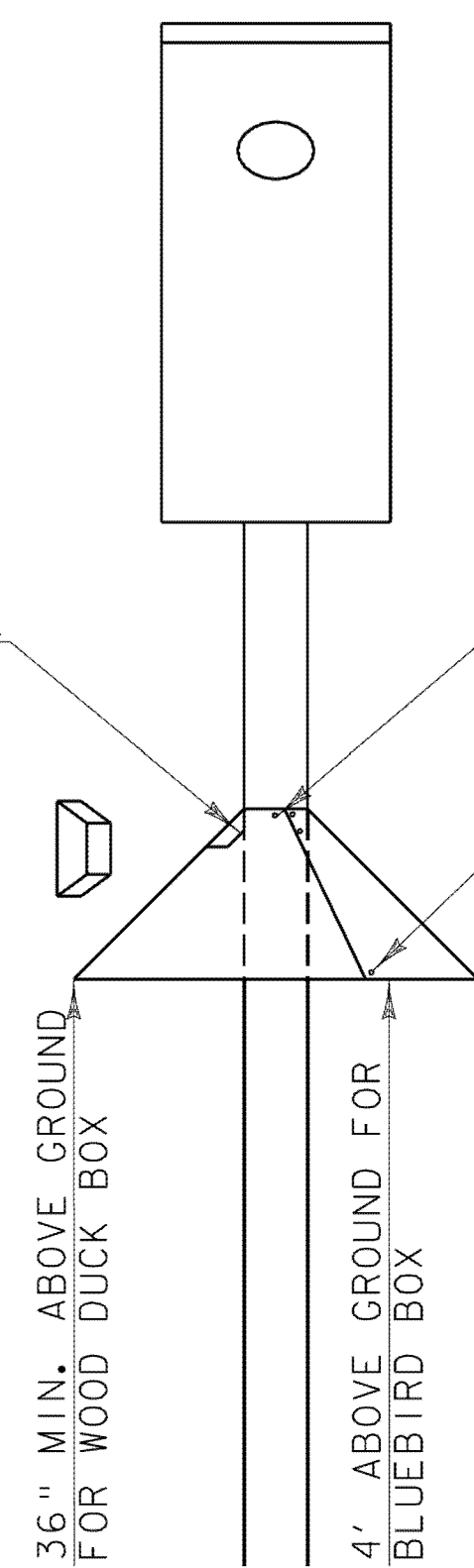
- NAILS: 25 - 8d OR 10d, ZINC COATED.
- SPIKE: 1 - 4+ INCHES.
- LAG BOLT: 1 - 1/4 INCH, 6 INCHES LONG.
- HINGE: 1 - 3 INCH CABINET HINGE & SCREWS
- HARDWARE CLOTH: 18 INCH STRIP CUT AT LEAST 3 INCHES WIDE. (ALL SHARP ENDS SHOULD BE BENT UNDER.)
- POST: 1 - 4" X 4", 16 FEET LONG. (SHOULD BY CYPRESS, CEDAR, OR PRESERVATIVE TREATED WOOD.)
- PLUS: ENOUGH SAWDUST, WOOD-CHIPS, OR CRUMBLED ROTTEN WOOD TO FORM A 3 INCH NEST BASE IN EACH BOX.

3. USE RUST PROOF SCREWS OR NAILS THAT ARE LONG ENOUGH TO HOLD SECURELY DESPITE ROUGH HANDLING AND WEATHERING.
4. BORE FOUR 1/4" DRAINAGE HOLES THROUGH THE FLOOR.
5. TACK A STRIP OF 1/4" MESH HARDWARE CLOTH CUT ABOUT 18" x 3" FROM THE BOTTOM OF THE BOX TO THE HOLE. THIS IS NECESSARY IN ORDER FOR THE DUCKLINGS TO BE ABLE TO CLIMB OUT OF THE NEST.
6. SPRAY THE INSIDE OF THE BOX WITH DISINFECTANT TO DISCOURAGE WASPS AND BEES FROM MOVING IN.
7. CEDAR POST TO BE SET A MINIMUM OF FOUR FEET DEEP INTO GROUND.
8. PREDATOR GUARD TO BE ATTACHED TO EACH POST.



PREDATOR GUARD

DRILL PILOT HOLE FOR NAILING BLOCKS TO POST (USE 3 WOODEN MOUNTING BLOCKS)



NAIL GUARD IN PLACE
1/4" ROUND HEAD STOVE BOLTS OR METAL SCREWS

PREDATOR GUARD NOTES:

CONE-SHAPED, SHEET-METAL GUARDS FOR PROTECTING NEST STRUCTURES FROM PREDATORS. AT LEFT IS LAYOUT FOR CUTTING 3 PREDATOR GUARDS FROM A 3' x 8' SHEET OF 26-GAUGE GALVANIZED METAL. WHEN INSTALLING THE GUARD, OVERLAP THE CUT EDGE TO THE DOTTED LINE. TO FACILITATE CUTTING (ON SOLID LINES ONLY) FOLLOW THE SEQUENCE OF NUMBERS. MAKE CIRCULAR CUTS IN COUNTERCLOCKWISE DIRECTION. TO MAKE INITIAL CUT ON LINE (A) - (B), MAKE A SLOT AT (A) WITH A COLD CHISEL. USE TINSNIPS AND WEAR LEATHER GLOVES.

NOTE: PREDATOR GUARD TO BE INCIDENTAL TO ITEM 900.620 SPECIAL PROVISION (WOOD DUCK BOX AND POST).

PROJECT NAME: CABOT-DANVILLE

PROJECT NUMBER: FECC F 028-3(26)

FILE NAME: xd079det.dgn
PROJECT LEADER: C.W. BRODIE
DESIGNED BY: C.W. BRODIE
BLUEBIRD AND DUCK BOX DETAILS

PLOT DATE: 9/30/2010
DRAWN BY: E.B. SMALL
CHECKED BY: J.K. BENSON
SHEET 217 OF 250