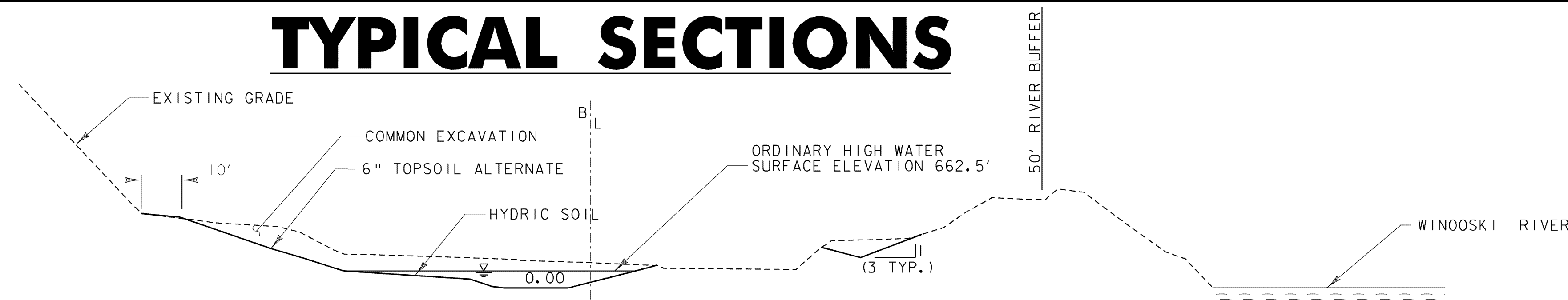
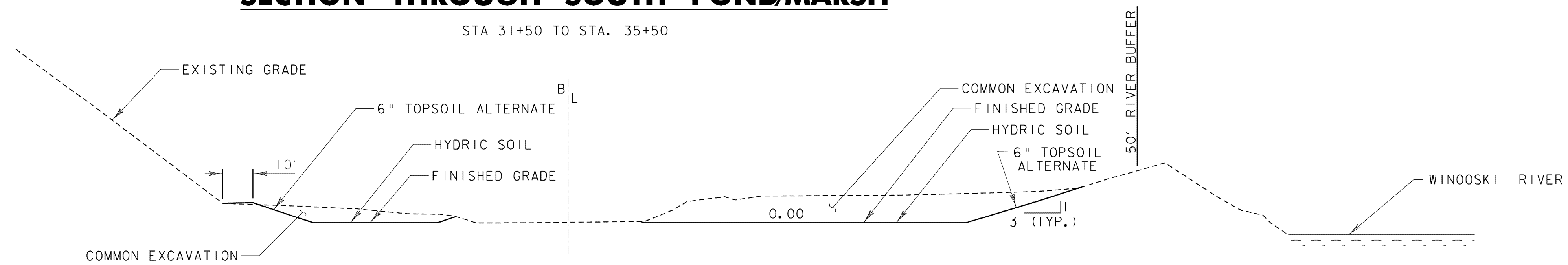


TYPICAL SECTIONS



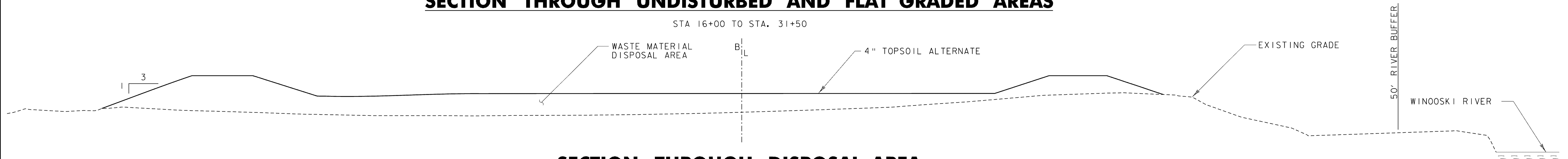
SECTION THROUGH SOUTH POND/MARSH

STA 31+50 TO STA. 35+50



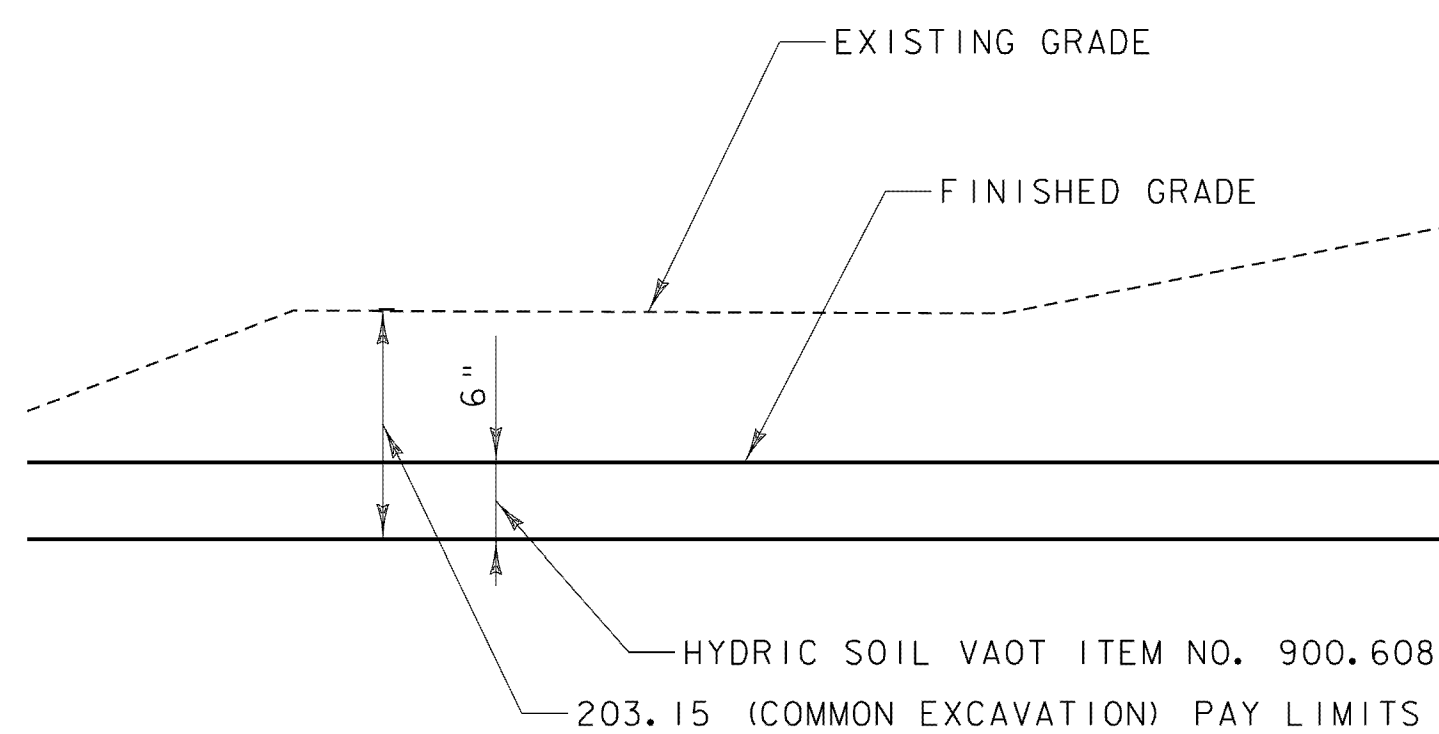
SECTION THROUGH UNDISTURBED AND FLAT GRADED AREAS

STA 16+00 TO STA. 31+50



SECTION THROUGH DISPOSAL AREA

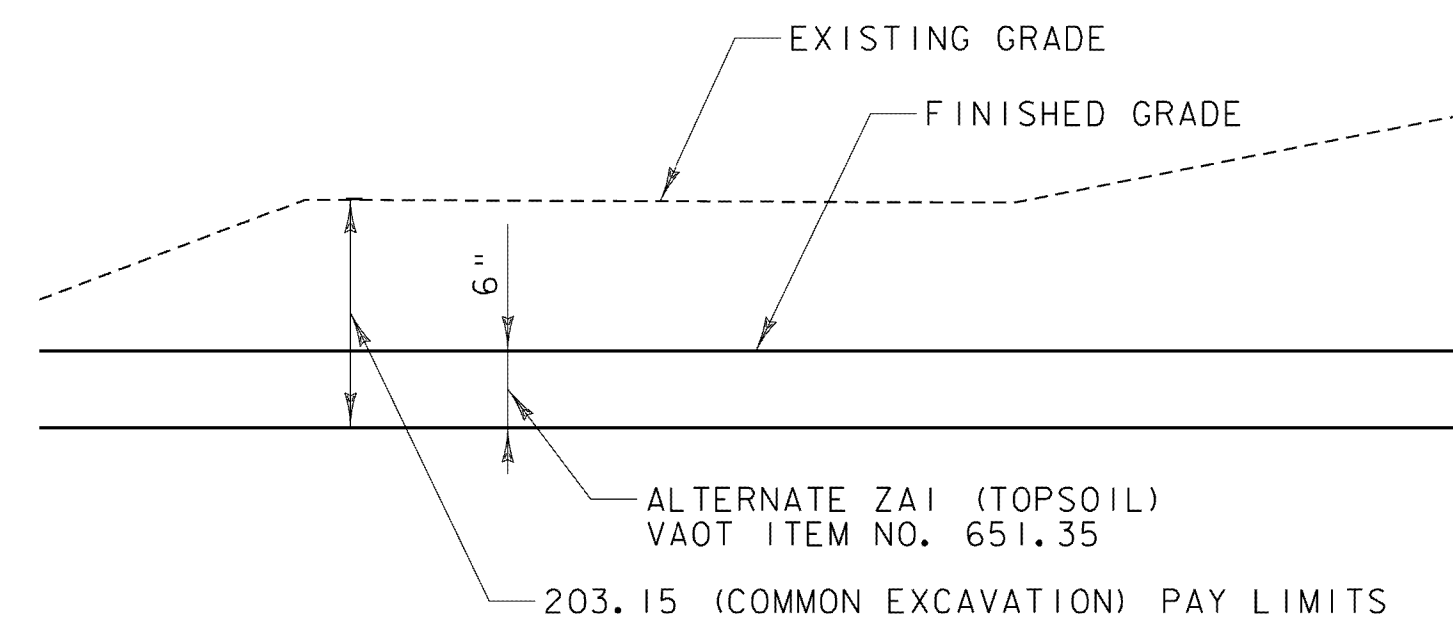
STA 0+25 TO STA 5+40



HYDRIC SOIL TYPICAL SECTION

NOT TO SCALE

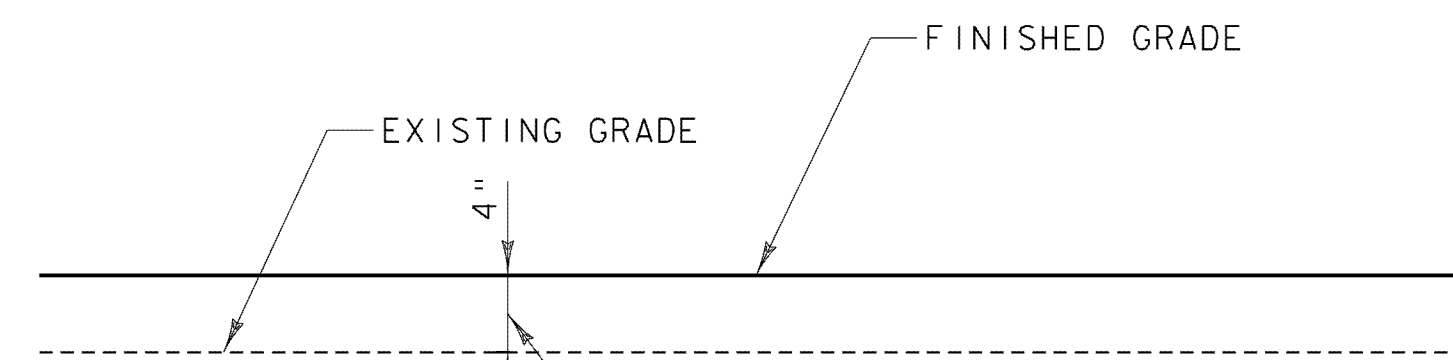
NOTE:
1. SEE NOTES, GRADING SHEET, STATIONS 0+00 TO 7+25, FOR LOCATION OF HYDRIC SOIL.



6" TOPSOIL (ZA1) TYPICAL SECTION

NOT TO SCALE

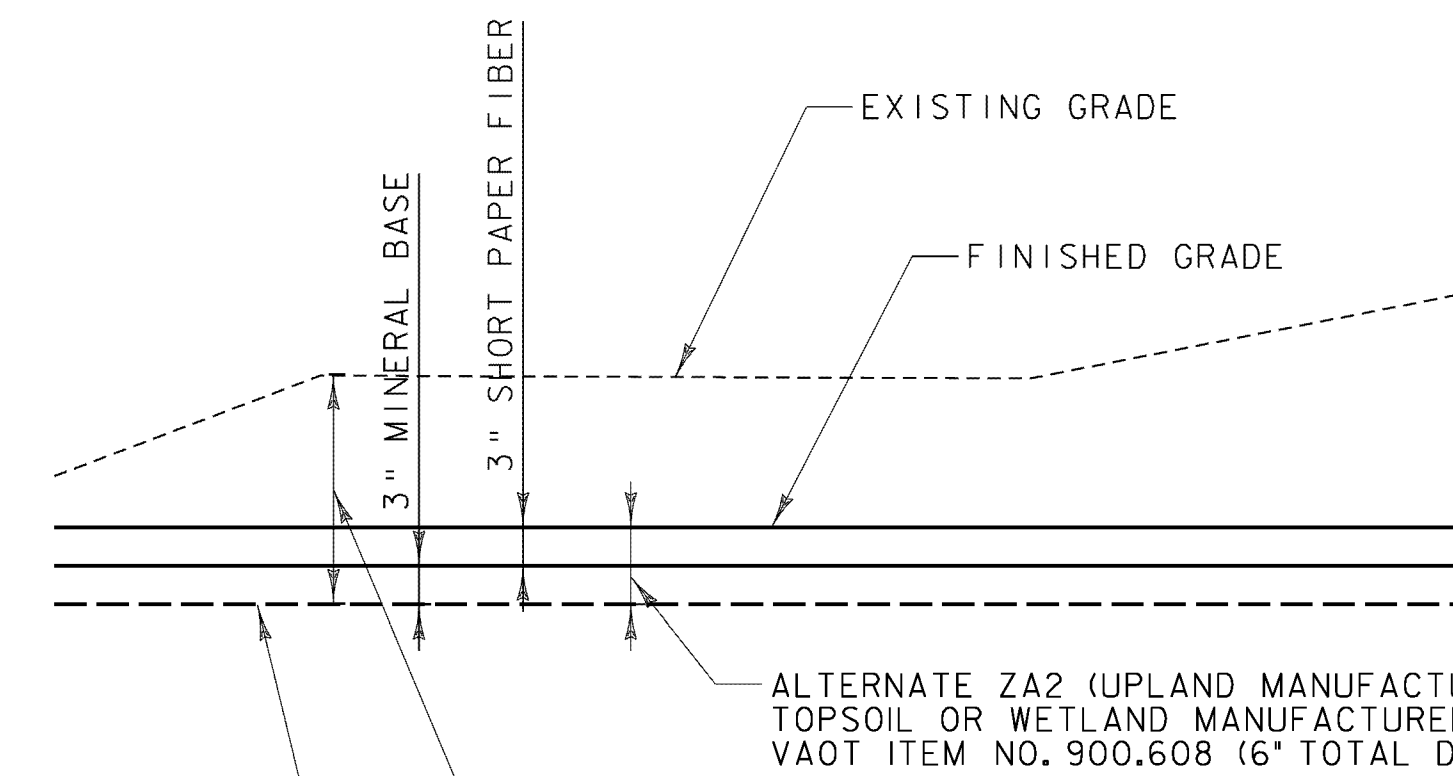
NOTES:
1. SEE NOTES, GRADING SHEET, STATIONS 0+00 TO 7+25, FOR LOCATION OF 6" TOPSOIL LAYER



4" TOPSOIL (ZA1) TYPICAL SECTION

NOT TO SCALE

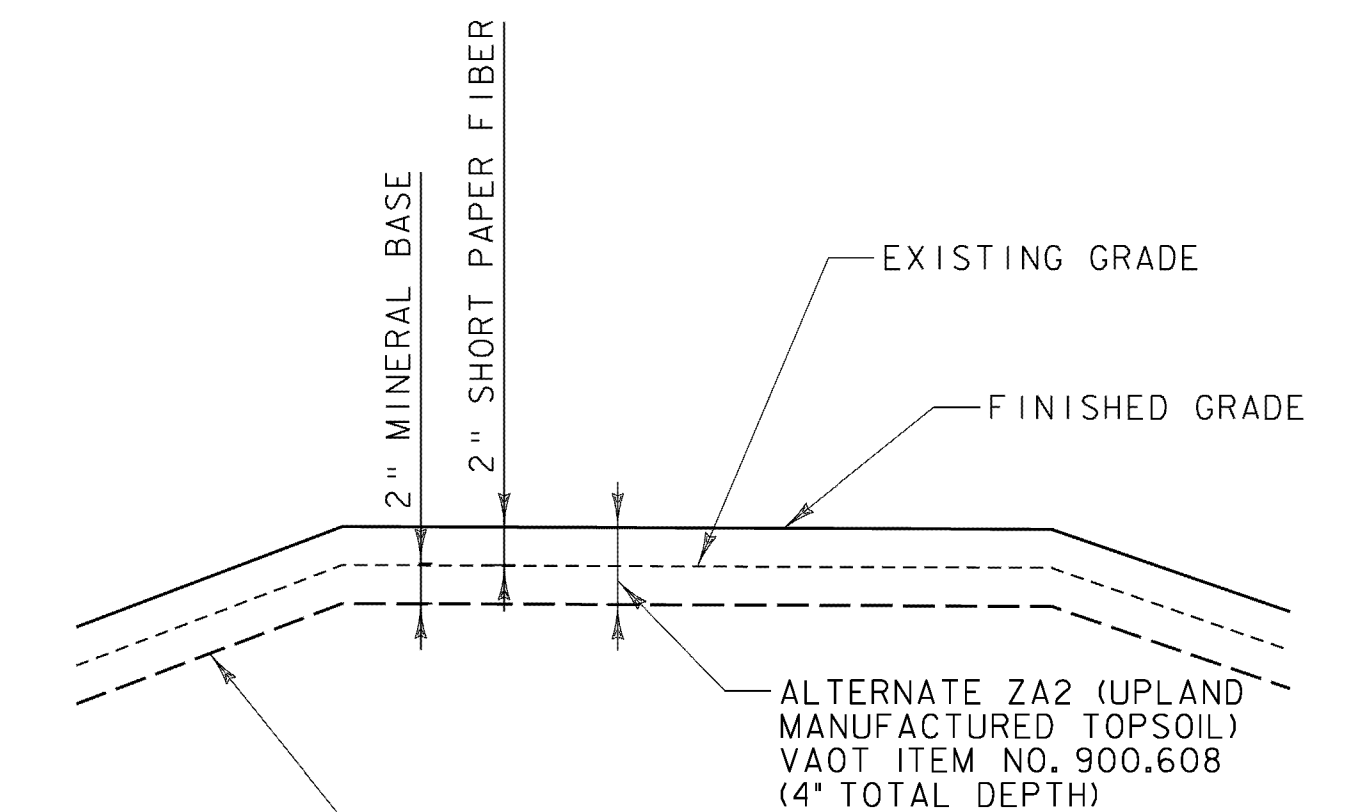
NOTES:
1. SEE NOTES, GRADING SHEET, STATIONS 0+00 TO 7+25, FOR LOCATION OF 4" TOPSOIL LAYER



6" MANUFACTURED TOPSOIL (ZA2) TYPICAL SECTION

NOT TO SCALE

NOTES:
1. SEE NOTES, GRADING SHEET, STATIONS 0+00 TO 7+25, FOR LOCATION OF 6" MANUFACTURED TOPSOIL (ZA2) LAYER



4" MANUFACTURED TOPSOIL (ZA2) TYPICAL SECTION

NOT TO SCALE

NOTES:
1. SEE NOTES, GRADING SHEET, STATIONS 0+00 TO 7+25, FOR LOCATION OF 4" MANUFACTURED TOPSOIL (ZA2) LAYER

PROJECT NAME: CABOT-DANVILLE
PROJECT NUMBER: FECC F 028-3(26)

FILE NAME: xd079TYP.DGN PLOT DATE: 11/16/2010
PROJECT LEADER: C.W. BRODIE DRAWN BY: E.B. SMALL
DESIGNED BY: C.W. BRODIE CHECKED BY: J.K. BENSON
TYPICAL SECTIONS SHEET 195 OF 250