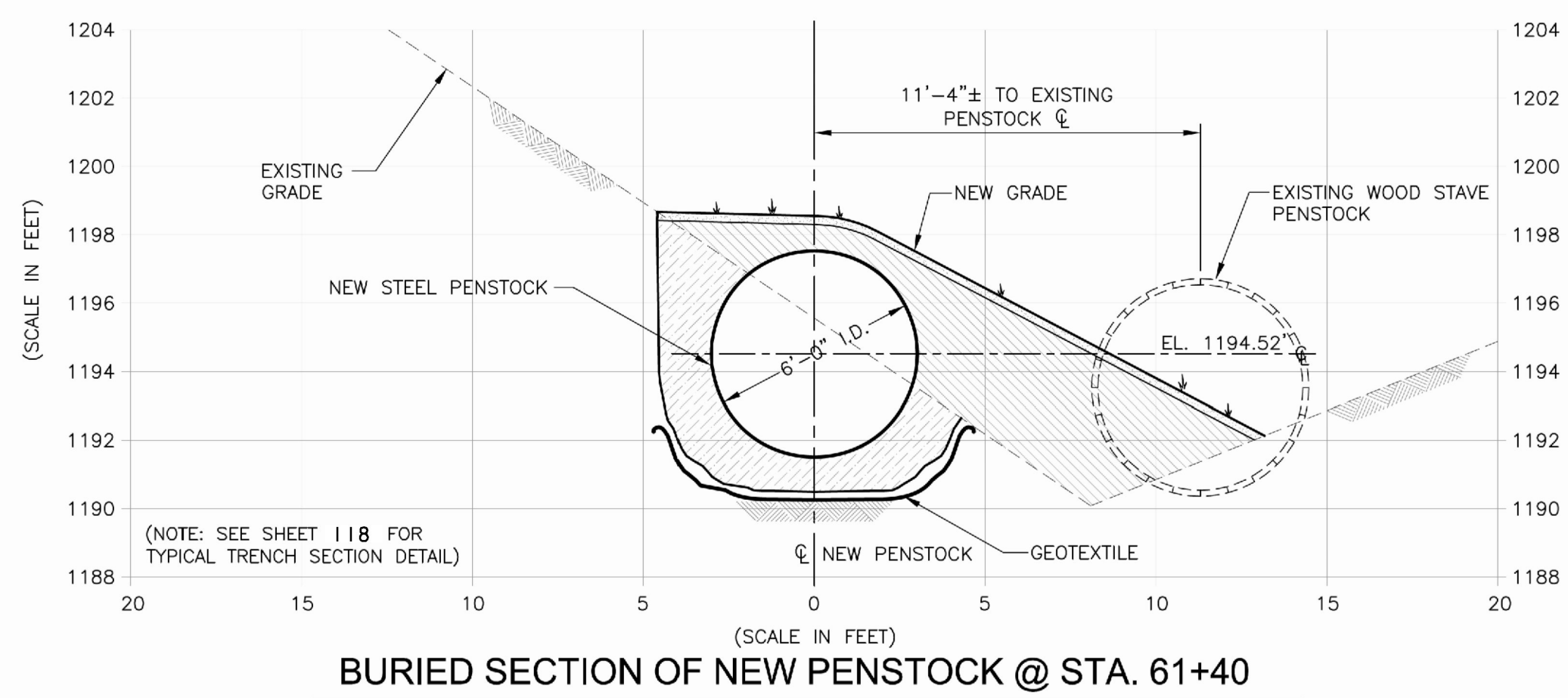
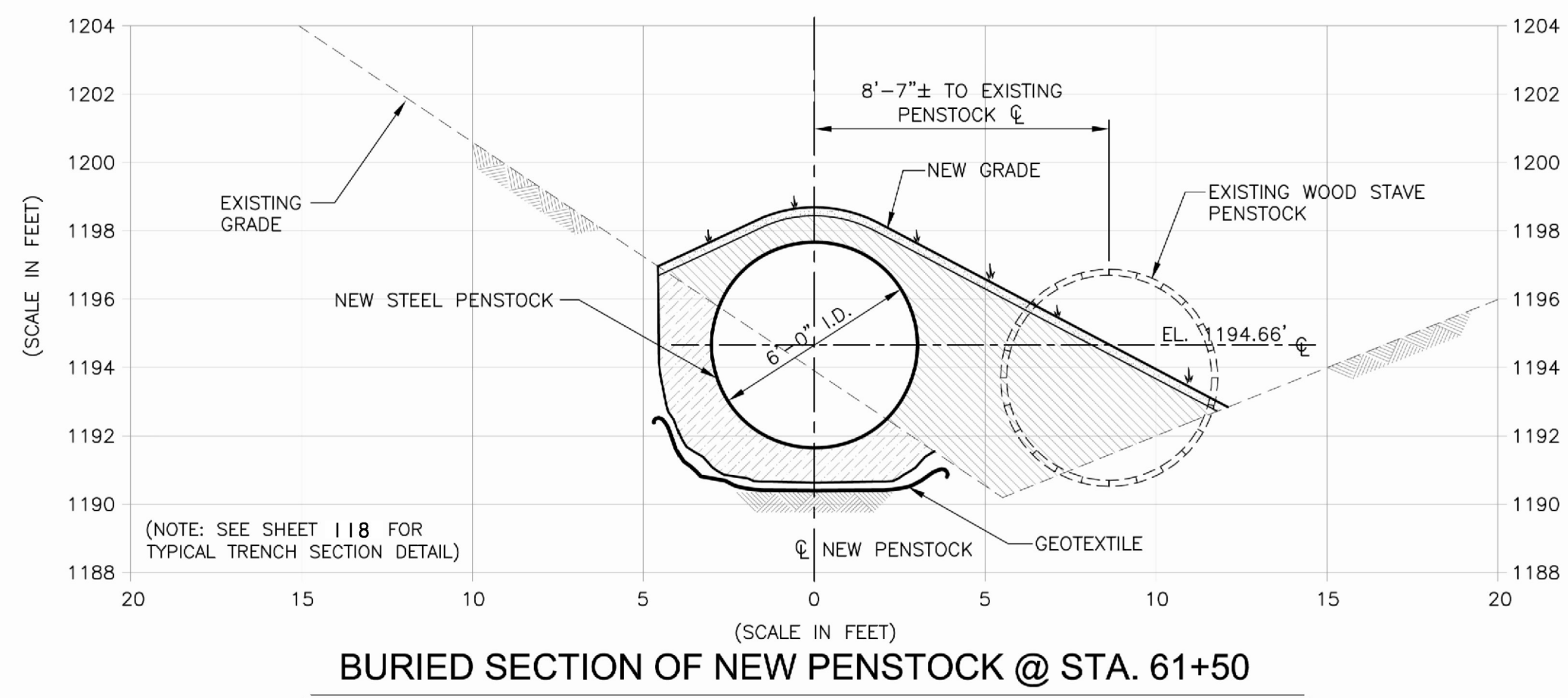


THIS DRAWING IS THE PROPERTY OF KLEINSCHMIDT AND SHOULD BE KEPT IN CONFIDENCE. IT IS TO BE USED ONLY FOR THE PROJECT AND LOCATION SPECIFICALLY IDENTIFIED HEREON. IT IS NOT TO BE REPRODUCED, COPIED, OR TRANSMITTED IN ANY FORM OR BY ANY MEANS, ELECTRONIC OR MECHANICAL, INCLUDING PHOTOCOPYING, RECORDING, OR BY ANY INFORMATION STORAGE AND RETRIEVAL SYSTEM, WITHOUT THE WRITTEN PERMISSION OF KLEINSCHMIDT.

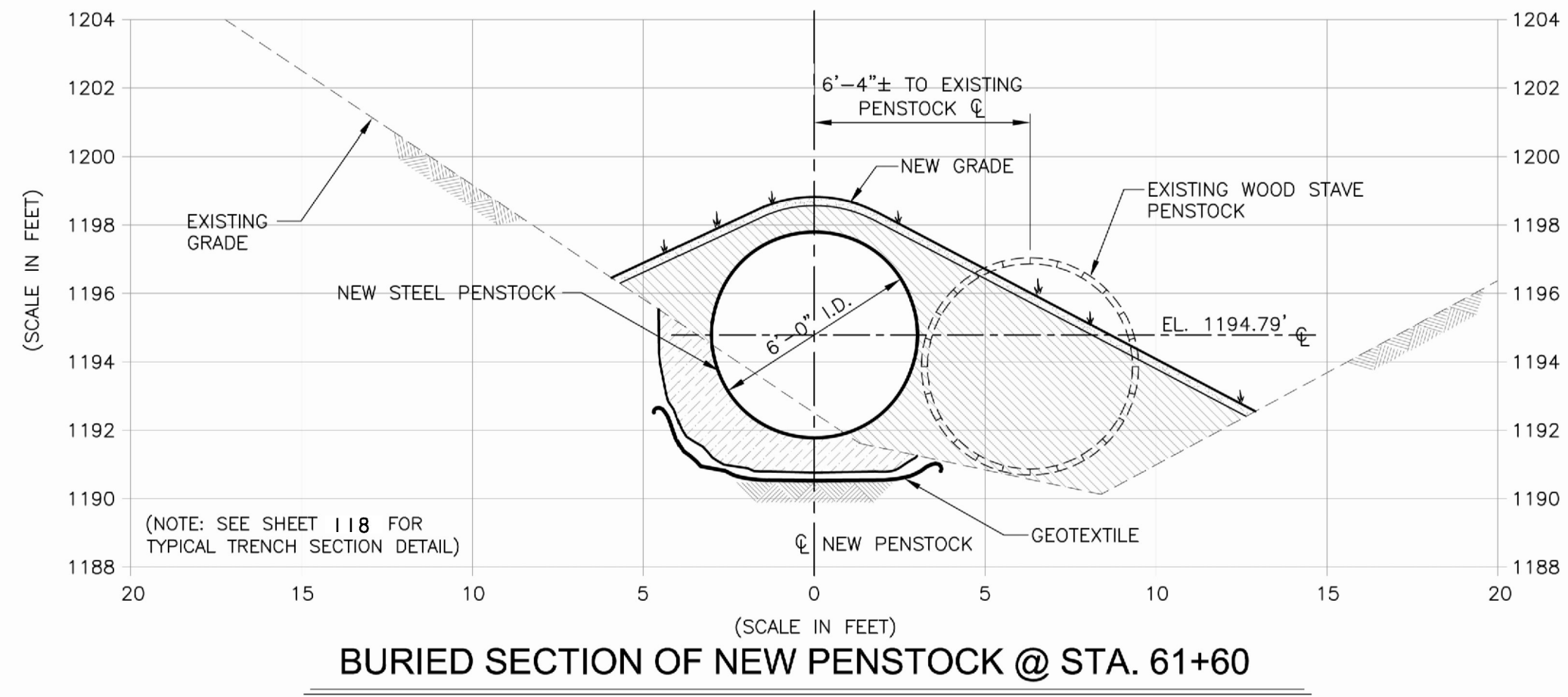
J:\12\087\Drawings\2009\Work\Working Drawings\WORKING DRAWINGS\012-087_VTRAN_Sheet_5.dwg



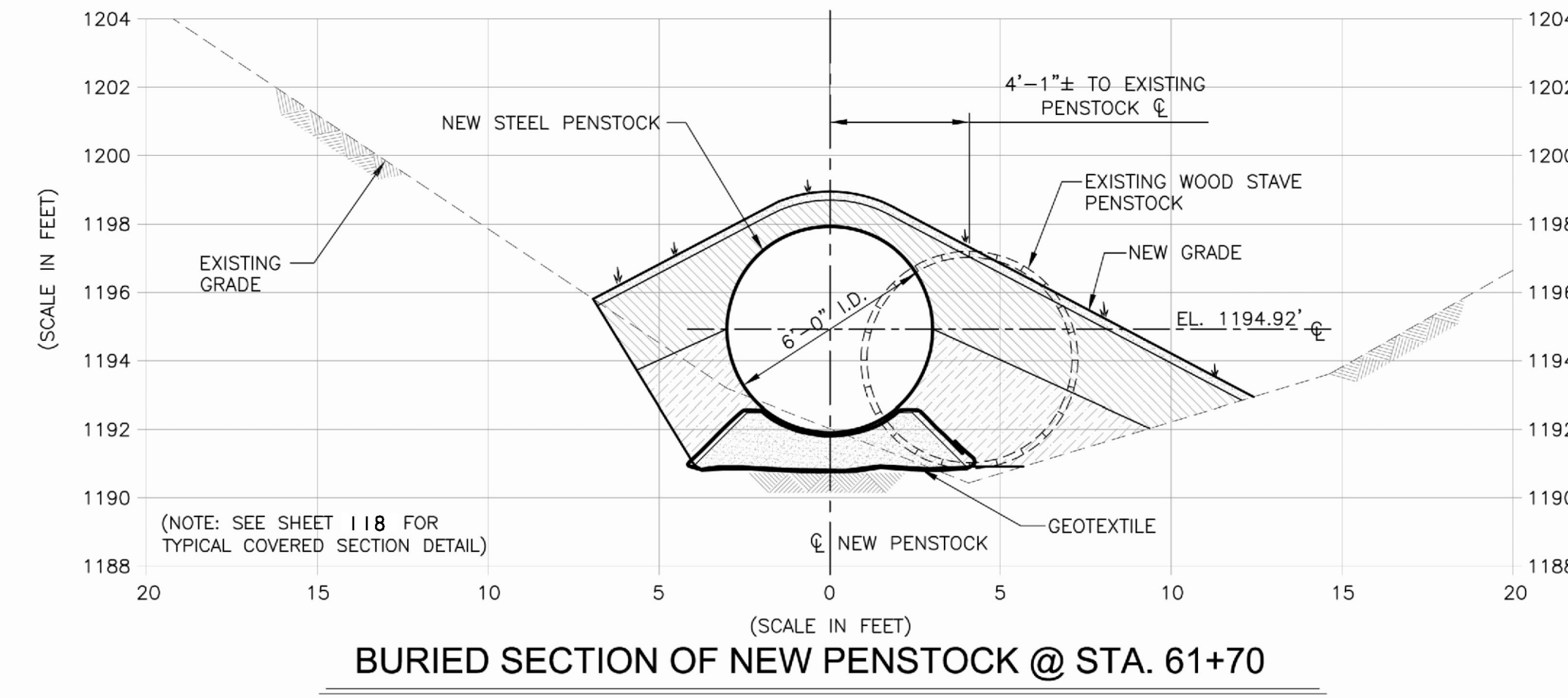
BURIED SECTION OF NEW PENSTOCK @ STA. 61+40



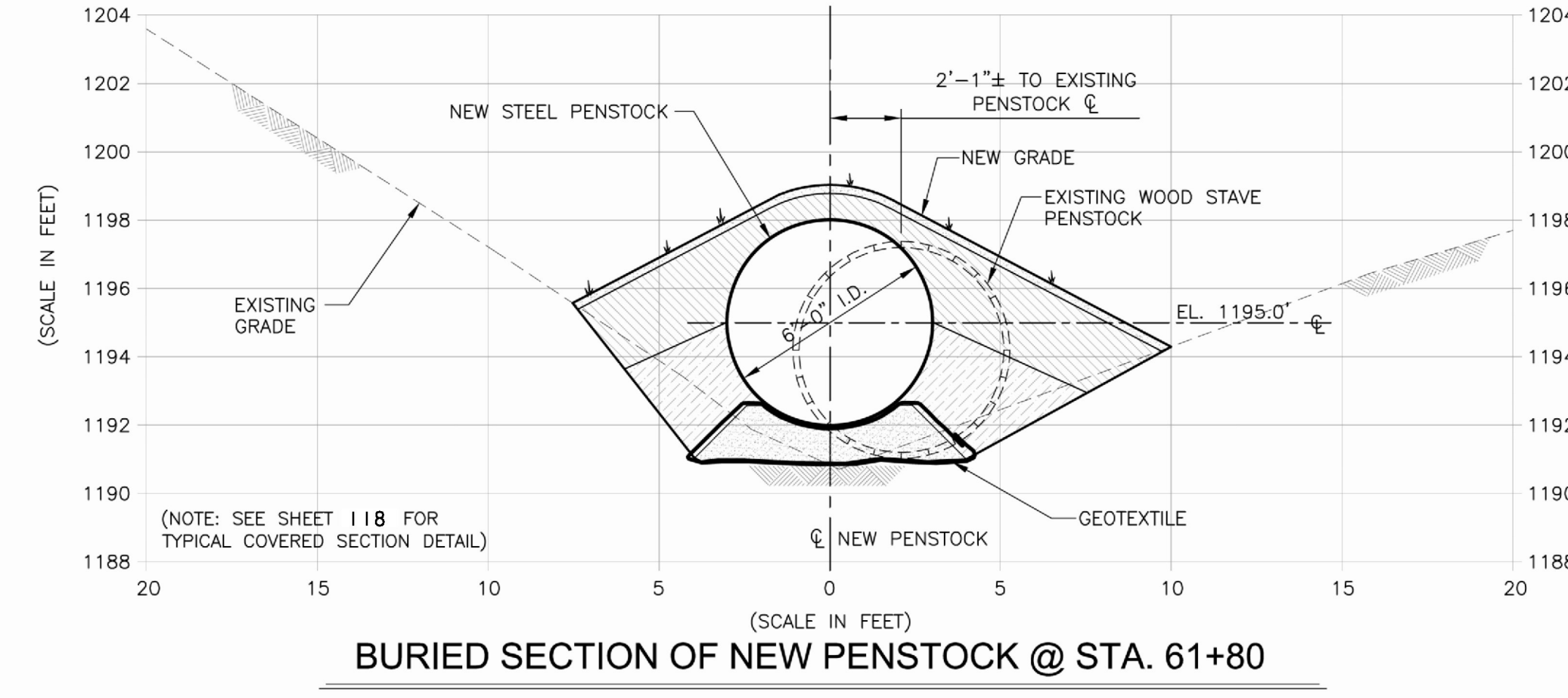
BURIED SECTION OF NEW PENSTOCK @ STA. 61+50



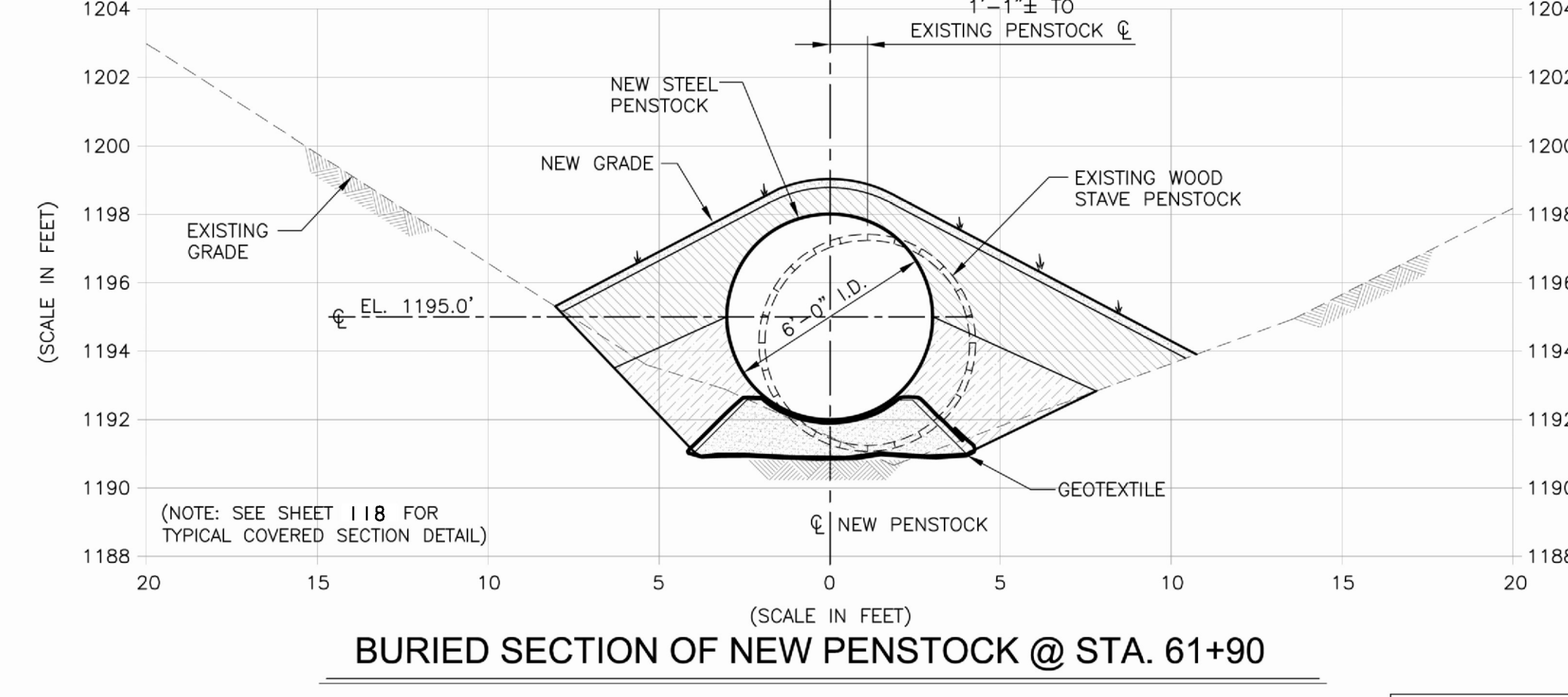
BURIED SECTION OF NEW PENSTOCK @ STA. 61+60



BURIED SECTION OF NEW PENSTOCK @ STA. 61+70



BURIED SECTION OF NEW PENSTOCK @ STA. 61+80



BURIED SECTION OF NEW PENSTOCK @ STA. 61+90

NOTE: ALL SECTIONS TAKEN LOOKING UPSTREAM



Scale: AS SHOWN		VERMONT AGENCY OF TRANSPORTATION MONTPELIER, VERMONT		ISSUED FOR BID PURPOSES ONLY
Project No: 012-087		U.S. RTE. 2 CABOT-DANVILLE, SECTION I PROJ. F. NO. 028-3(26) - GMP MARSHFIELD SECTION		
AutoCad Release: 2007		Profile Views Along Centerline of New Penstock - Sta. 61+40 thru 61+90		SHEET 126 OF 250
Filename: 012-087-3(26).dwg		Kleinschmidt Energy & Water Resource Consultants		
Design By: JLD		141 Main St., P.O. Box 650 Pittsfield, Maine 04967 Telephone: (207) 487-3328 Fax: (207) 487-3124 www.kleinschmidtusa.com		
Drawn By: CFT		Date Revised: 6-02-09		
Checked By: TLK				
Revision		Date		
No.				